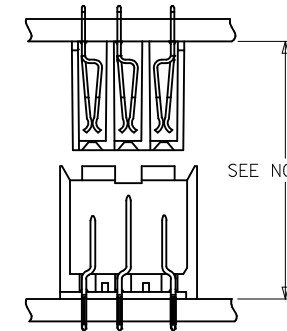
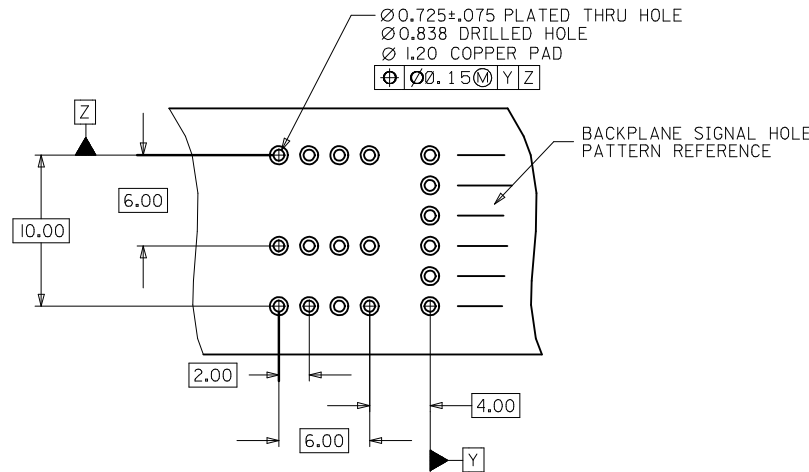
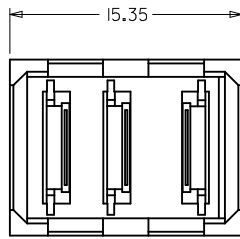


MOLEX ASSY PART NUMBER 73998-****	MATING LENGTH DESCRIPTION		
	ROW B	ROW D	ROW F
1*23	S	L	S
2023	S	L	S
2123	L	---	L
CODE W/ ABOVE	OPTIONAL TAIL LENGTH		
*3**	3.0 mm (SOLDER)		
*4**	4.0 mm (SOLDER)		
*5**	5.0 mm (SOLDER)		
*6**	6.0 mm (SOLDER)		

SEE NOTE 2.

SEE NOTE 3.



SEE NOTE 7.

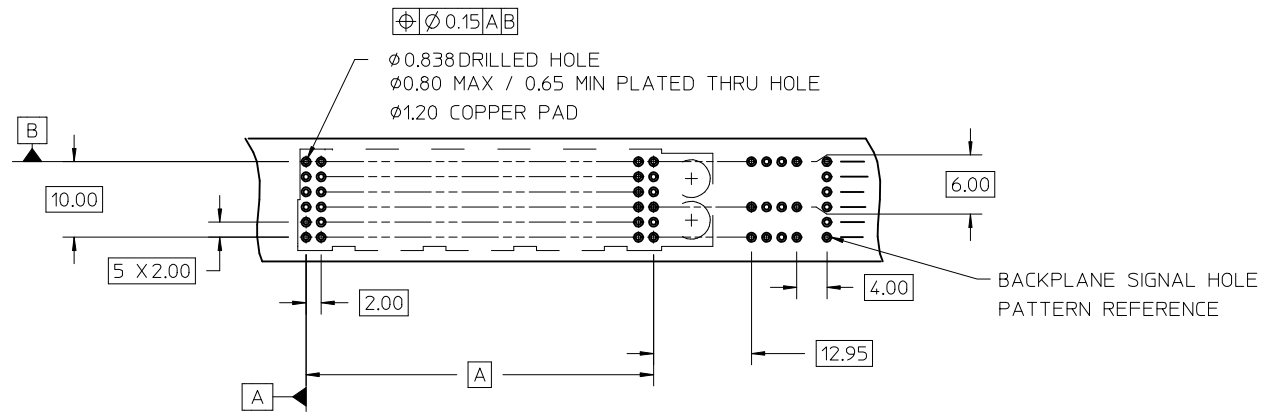
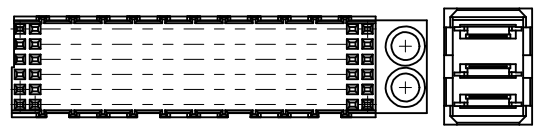
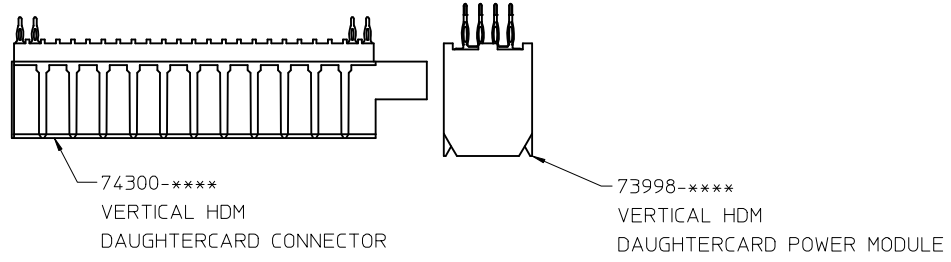
NOTES:

- MATING LENGTH IS (ALSO SEE TABLE):
9.6 - SHORT (S)
11.6 - LONG (L)
- ASSEMBLIES ARE CODED AS FOLLOWS:
-1***, SOLDER TAIL
-2***, PRESS FIT (3.5 mm TAIL ONLY)
-*XX, TAIL LENGTH
-***X, BLADE CONFIGURATION
- TAIL LENGTH TOLERANCE IS ±0.25.
- PART SHOWN IS 73998-2023.
- MATERIALS: HOUSING - LIQUID CRYSTAL POLYMER (LCP), GLASS FILLED, UL94V-0, COLOR: BLACK
TERMINAL - COPPER ALLOY
- FINISH: SELECTIVE GOLD IN CONTACT AREA, 0.76 MICROMETERS MINIMUM THICKNESS; TIN / LEAD IN TAIL AREA; NICKEL OVERALL.
- MATES WITH 73656 AND 73659 SERIES. IN MATED CONDITION, SEPARATION OF PC BOARD SURFACES IS 15 mm.
- THIS PART CONFORMS TO MOLEX PRODUCT SPECIFICATION PS-73670-9999.
- THIS PART CONFORMS TO MOLEX COSMETIC SPECIFICATION PS-45499-002 CLASS B.

PCB LAYOUT: COMPONENT SIDE
RECOMMENDED PCB THICKNESS: 2.50 MIN

REVISE NOTE 8. EC NO: UCP2009-2455 DRWNS:DANIELLEY 2009/07/07 CHKD:MIBARRA 2009/07/08 APPR:SMILLER 2009/07/09	DESCRIPTION REV	QUALITY SYMBOLS	GENERAL TOLERANCES (UNLESS SPECIFIED) <table border="1"> <tr> <th></th> <th>mm</th> <th>INCH</th> </tr> <tr> <td>4 PLACES</td> <td>± ---</td> <td>± ---</td> </tr> <tr> <td>3 PLACES</td> <td>± ---</td> <td>± ---</td> </tr> <tr> <td>2 PLACES</td> <td>± 0.13</td> <td>± ---</td> </tr> <tr> <td>1 PLACE</td> <td>± 0.25</td> <td>± ---</td> </tr> <tr> <td colspan="3">ANGULAR ±1/2°</td> </tr> </table>		mm	INCH	4 PLACES	± ---	± ---	3 PLACES	± ---	± ---	2 PLACES	± 0.13	± ---	1 PLACE	± 0.25	± ---	ANGULAR ±1/2°			DIMENSION STYLE MM ONLY	SCALE DESIGN UNITS METRIC	THIRD ANGLE PROJECTION
				mm	INCH																			
		4 PLACES		± ---	± ---																			
		3 PLACES		± ---	± ---																			
2 PLACES	± 0.13	± ---																						
1 PLACE	± 0.25	± ---																						
ANGULAR ±1/2°																								
DRAWN BY ELO	DATE 1998/07/30	TITLE HDM DAUGHTERCARD POWER VERTICAL (STACKER) SALES ASSEMBLY	MOLEX INCORPORATED																					
CHECKED BY ELO	DATE 1998/08/03	APPROVED BY BIXLER	DATE 1998/08/05	DOCUMENT NO. SD-73998-001	SHEET NO. 1 OF 1																			
DRAFT WHERE APPLICABLE MUST REMAIN WITHIN DIMENSIONS		SIZE SEE CHART	THIS DRAWING CONTAINS INFORMATION THAT IS PROPRIETARY TO MOLEX INCORPORATED AND SHOULD NOT BE USED WITHOUT WRITTEN PERMISSION																					

NOTES:
 1. SEE SD-74300-002 FOR ADDITIONAL INFORMATION FOR THE 74300 DAUGHTERCARD MODULE.
 2. SEE SD-73998-001 FOR ADDITIONAL INFORMATION FOR THE 73998 VERTICAL DAUGHTERCARD POWER MODULE.



MATERIAL NUMBER	CIRCUIT SIZE	DIM A
74300-11**/-31**	144	46.00
74300-01**/-21**	72	22.00

PCB LAYOUT : COMPONENT SIDE
 RECOMMENDED PCB THICKNES: 2.50 MIN

INITIAL RELEASE EC NO: UCP2009-3131 DRWNS:SDANNELLEY 2009/08/05 CHKD:BSMART 2009/08/06 APPR:SMILLER 2009/08/07	QUALITY SYMBOLS	GENERAL TOLERANCES (UNLESS SPECIFIED)	DIMENSION STYLE	SCALE	DESIGN UNITS	THIRD ANGLE PROJECTION
	▼=0 ▽=0	mm INCH 4 PLACES ± --- ± --- 3 PLACES ± --- ± --- 2 PLACES ± 0.05 ± --- 1 PLACE ± 0.1 ± --- ANGULAR ± 1/2°	MM ONLY	2:1	METRIC	
	DESCRIPTION	DRAFT WHERE APPLICABLE MUST REMAIN WITHIN DIMENSIONS	DRAWN BY DATE SDANNELLEY 2009/06/25 CHECKED BY DATE BSMART 2009/06/25 APPROVED BY DATE SMILLER 2009/06/25	TITLE	PCB LAYOUT FOR 74300 AND 73998 USED IN CONJUNCTION	
	REV: A	SIZE C	MATERIAL NO. N/A	DOCUMENT NO. SD-74300-005	MOLEX INCORPORATED SHEET NO. 1 OF 1	

THIS DRAWING CONTAINS INFORMATION THAT IS PROPRIETARY TO MOLEX INCORPORATED AND SHOULD NOT BE USED WITHOUT WRITTEN PERMISSION