

THIS DRAWING IS UNPUBLISHED.

RELEASED FOR PUBLICATION

20

© COPYRIGHT 20 BY -

ALL RIGHTS RESERVED.

REVISIONS

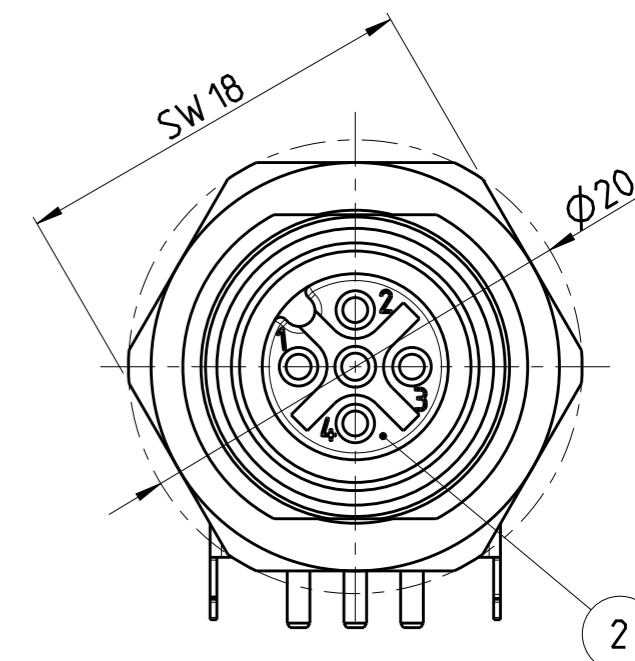
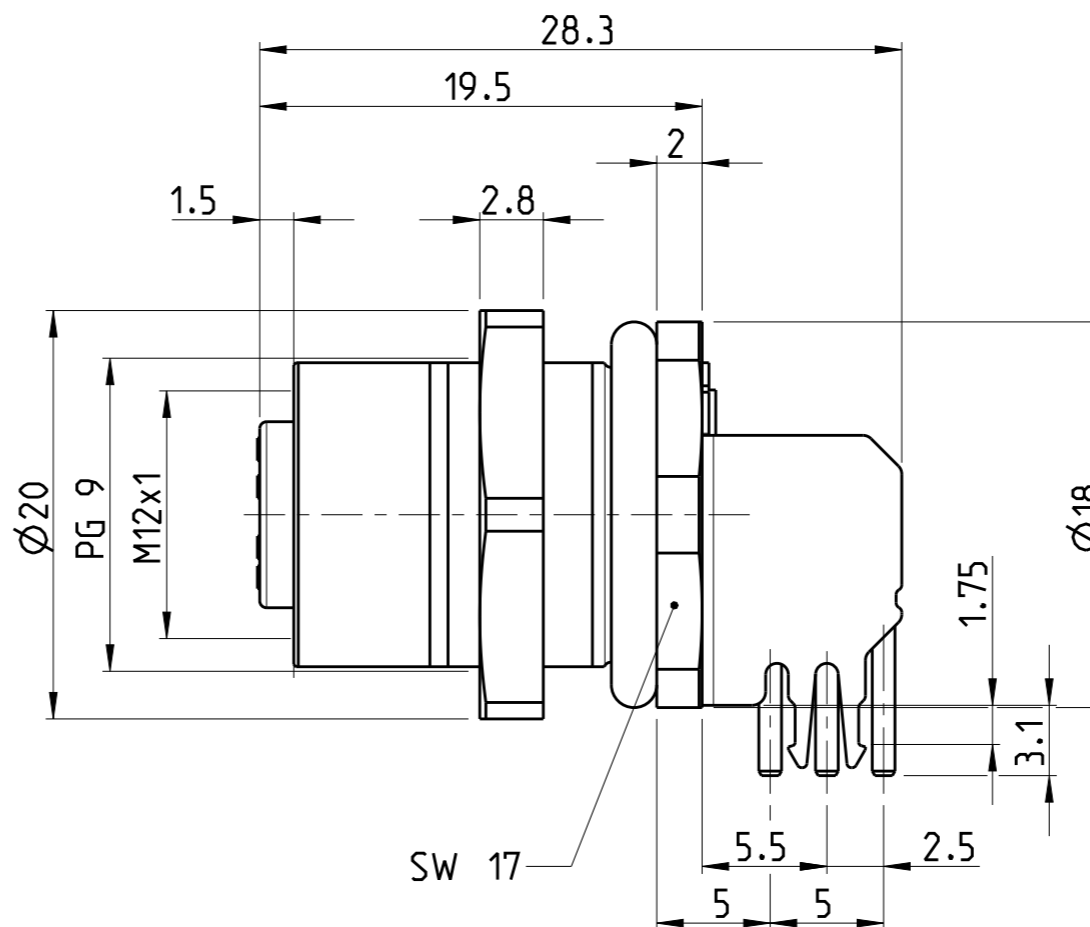
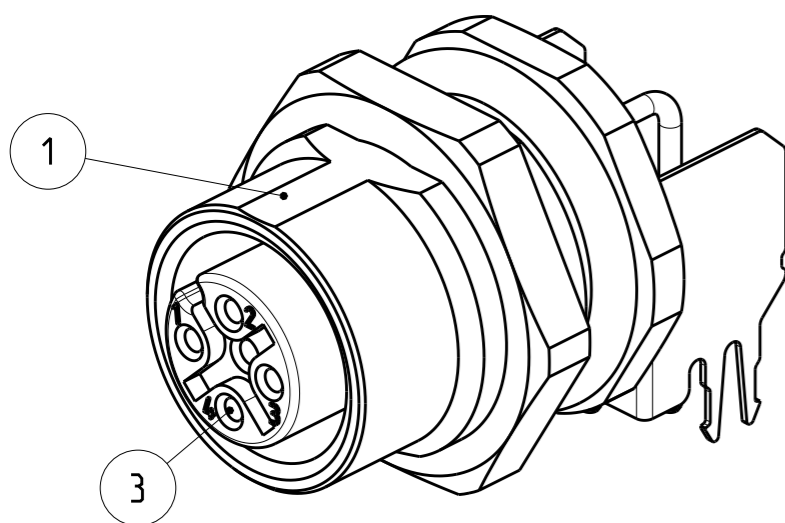
P	LTR	DESCRIPTION	DATE	DWN	APVD
A		NEW RELEASE	14NOV2014	TJ	PS

NOTES:

- 1 MATERIAL: ITEM NO. 1: HOUSING - CuZn (BRASS, NICKEL PLATED)
 ITEM NO. 2: CONTACT BODY - PA66
 ITEM NO. 3: CONTACT - CuSn (BRONZE)
 CONTACT FINISH - Au (GOLD)

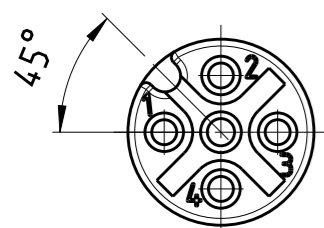
- 2 ALL DIMENSIONS ARE FOR NOMINAL REFERENCE ONLY UNLESS OTHERWISE STATED
- 3 MEASUREMENT REFERENCE ONLY
- 4 PACKAGING: 1 PIECE IN A BAG

SIZE ISO 14405 (E)



PIN ARRANGEMENT A-CODING

3-2172094-2

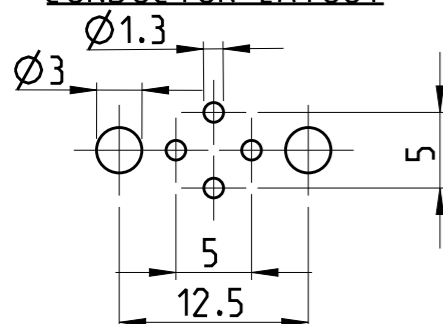


TECHNICAL DATA

3-2172094-2

RATED VOLTAGE	250V
RATED IMPULSE VOLTAGE	2500V
POLLUTION DEGREE	3
OVERVOLTAGE CATEGORY	II
MATERIAL GROUP	III
RATED CURRENT	4A
VOLUME RESISTIVITY	≤ 3mΩ
DEGREE OF PROTECTION	IP68
UPPER TEMPERATURE	+85 °C
LOWER TEMPERATURE	-40 °C

CONDUCTOR LAYOUT



1	4	3-2172095-2
MATERIAL	NUMBER OF POLES	TE-PART-NO.

THIS DRAWING IS A CONTROLLED DOCUMENT.

DWN	M THAJUDEEN	14NOV2014
CHK	PRASHANTH S	14NOV2014
APVD	PRASHANTH S	14NOV2014
PRODUCT SPEC	108-19483	
APPLICATION SPEC	114-32127	
WEIGHT	-	



M12 RECEPTACLE, FEMALE, PCB MOUNT, ANGLED, PANEL REAR, SHIELDED, A-CODE

DIMENSIONS: mm	TOLERANCES UNLESS OTHERWISE SPECIFIED:
	0 PLC ±
	1 PLC ±
	2 PLC ±
	3 PLC ±
	4 PLC ±
	ANGLES ±
MATERIAL	FINISH
SEE NOTES	SEE NOTES

SIZE	CAGE CODE	DRAWING NO	RESTRICTED TO
A3	00779	C-2172095	-
Customer Drawing		SCALE 2:1	SHEET 1 OF 1 REV A