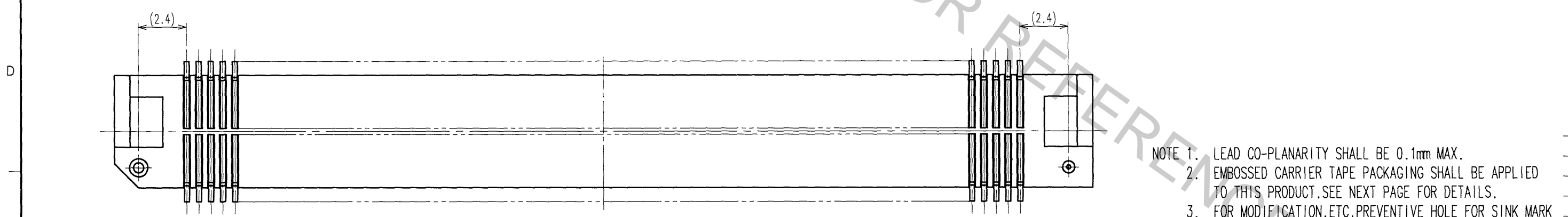
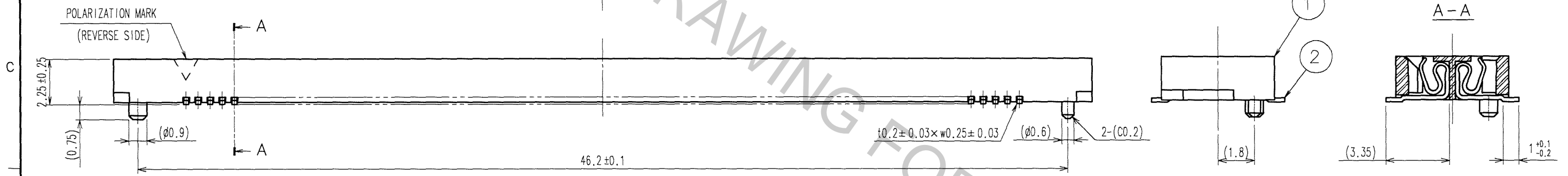
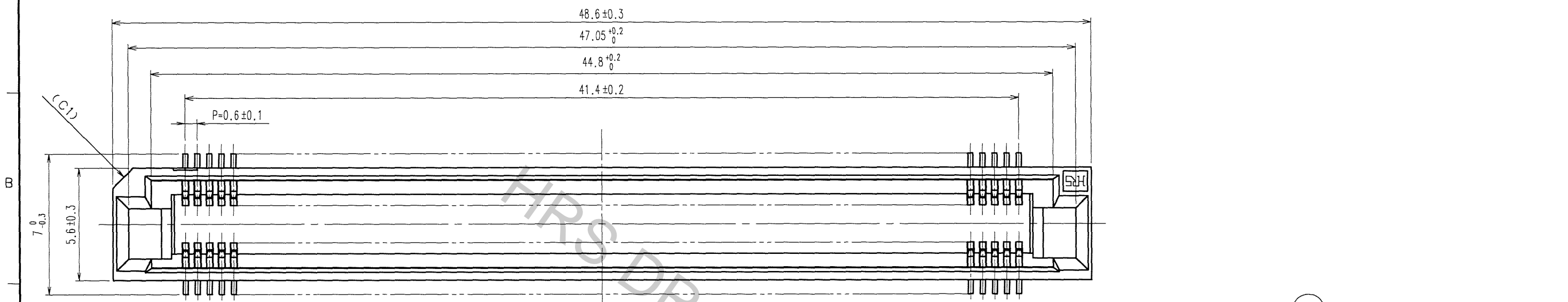


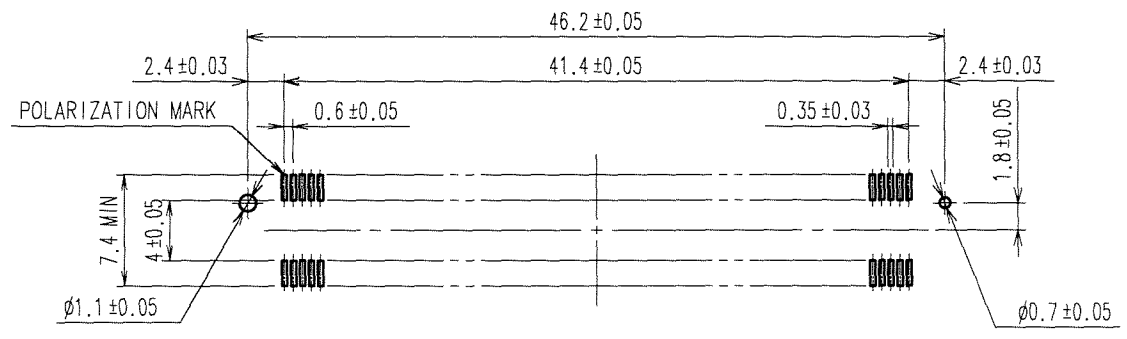
Apr.1.2017 Copyright 2017 HIROSE ELECTRIC CO., LTD. All Rights Reserved.

COUNT	DESCRIPTION OF REVISIONS	BY	CHKD	DATE	COUNT	DESCRIPTION OF REVISIONS	BY	CHKD	DATE
△				..	△				..
△				..	△				..
△				..	△				..



- NOTE 1. LEAD CO-PLANARITY SHALL BE 0.1mm MAX.  
 2. EMBOSSED CARRIER TAPE PACKAGING SHALL BE APPLIED TO THIS PRODUCT. SEE NEXT PAGE FOR DETAILS.  
 3. FOR MODIFICATION, ETC, PREVENTIVE HOLE FOR SINK MARK MAY BE ADDED ACCORDING TO CIRCUMSTANCES.  
 4. THE DIMENSIONS IN PARENTHESES ARE FOR REFERENCE.

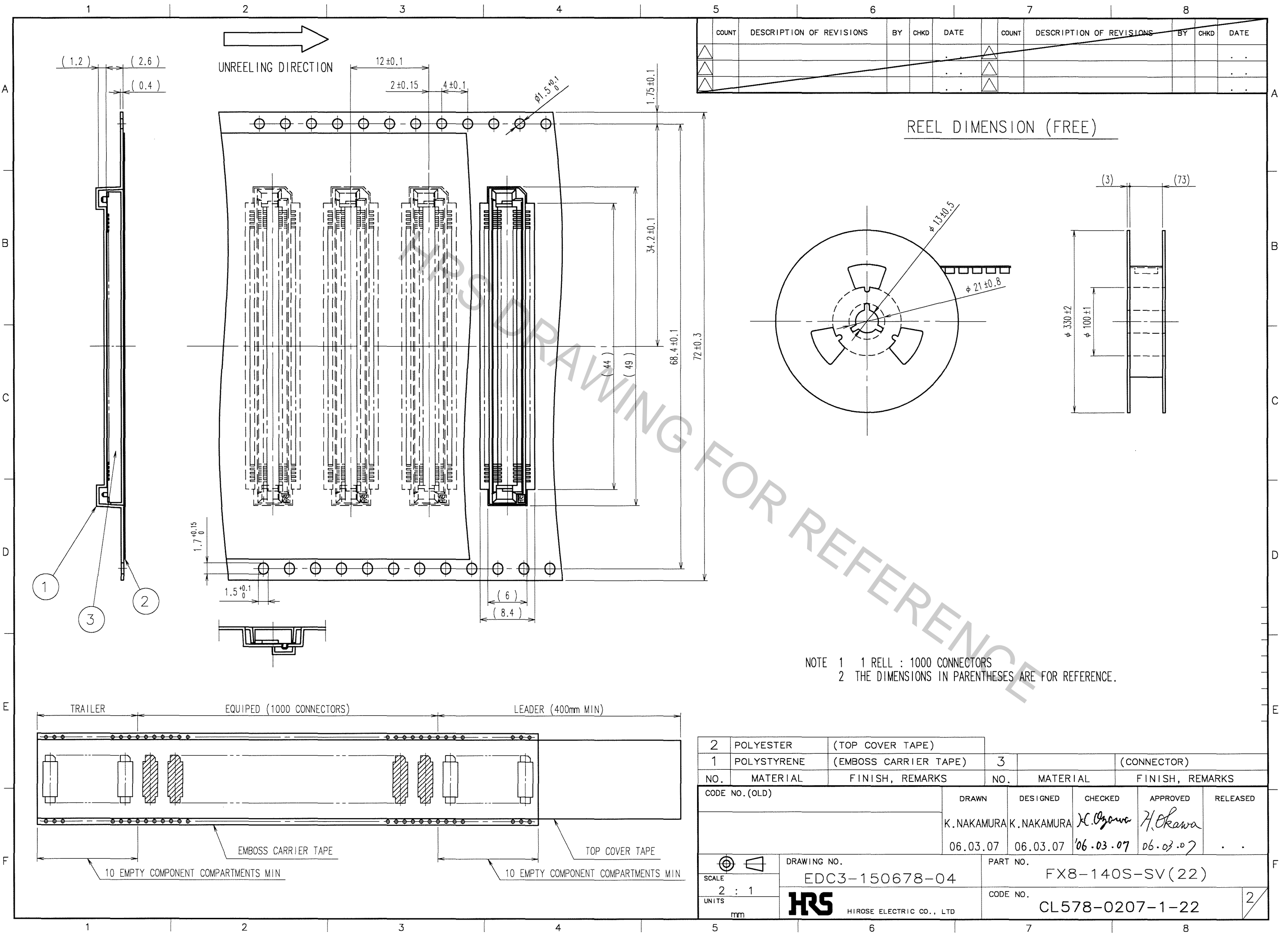
RECOMMENDED LAND PATTERN DIMENSION OF PCB (MOUNTING SIDE) (2:1)



TO  
PCK

1	PPS	LIGHT BROWN (UL94V-0)	2	PHOSPHOR BRONZE	CONTACT AREA: GOLD 0.1μ m min. LEAD AREA: GOLD FLASH UNDER PLATING: NICKEL 1.5μ m min.
NO.	MATERIAL	FINISH, REMARKS	NO.	MATERIAL	FINISH, REMARKS
CODE NO. (OLD)		DRAWN	DESIGNED	CHECKED	APPROVED
		K. NAKAMURA	K. NAKAMURA	<i>K. Ogawa</i>	<i>H. Okawa</i>
		06.03.07	06.03.07	06.03.07	06.03.07
DRAWING NO. EDC3-150678-04		PART NO. FX8-140S-SV(22)			
SCALE 5 : 1		CODE NO. CL578-0207-1-22			
UNITS mm		1/2			

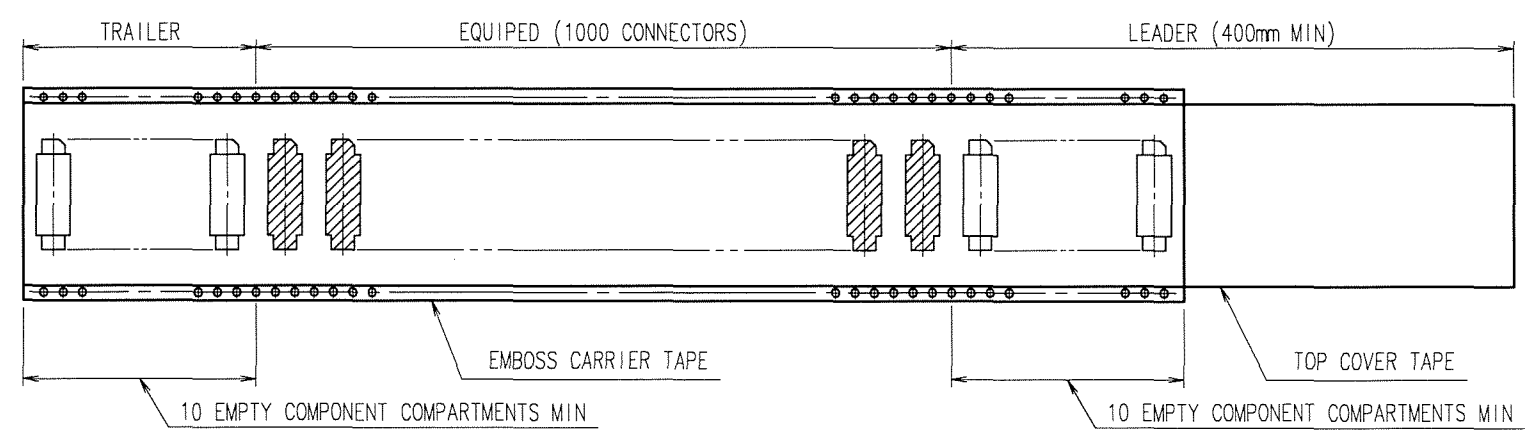
Apr.1.2017 Copyright 2017 HIROSE ELECTRIC CO., LTD. All Rights Reserved.



COUNT	DESCRIPTION OF REVISIONS	BY	CHKD	DATE	COUNT	DESCRIPTION OF REVISIONS	BY	CHKD	DATE

REEL DIMENSION (FREE)

NOTE 1 1 REEL : 1000 CONNECTORS  
2 THE DIMENSIONS IN PARENTHESES ARE FOR REFERENCE.



2	POLYESTER	(TOP COVER TAPE)	3	(CONNECTOR)			
1	POLYSTYRENE	(EMBOSS CARRIER TAPE)					
NO.	MATERIAL	FINISH, REMARKS	NO.	MATERIAL	FINISH, REMARKS		
CODE NO. (OLD)			DRAWN	DESIGNED	CHECKED	APPROVED	RELEASED
			K.NAKAMURA	K.NAKAMURA	X. Ozawa	H. Okawa	
			06.03.07	06.03.07	06.03.07	06.03.07	
DRAWING NO.		PART NO.					
EDC3-150678-04		FX8-140S-SV(22)					
SCALE		CODE NO.					
2 : 1		CL578-0207-1-22					
UNITS		HIROSE ELECTRIC CO., LTD					
mm							

TO  
PCK