

MODELS:

CSC32AC / CSC32ACW

32-Device AC Charging Station



Holds up to
32 Ultrabooks



250 lb.
Load Rating



Sturdy Steel
Construction



Locking Doors



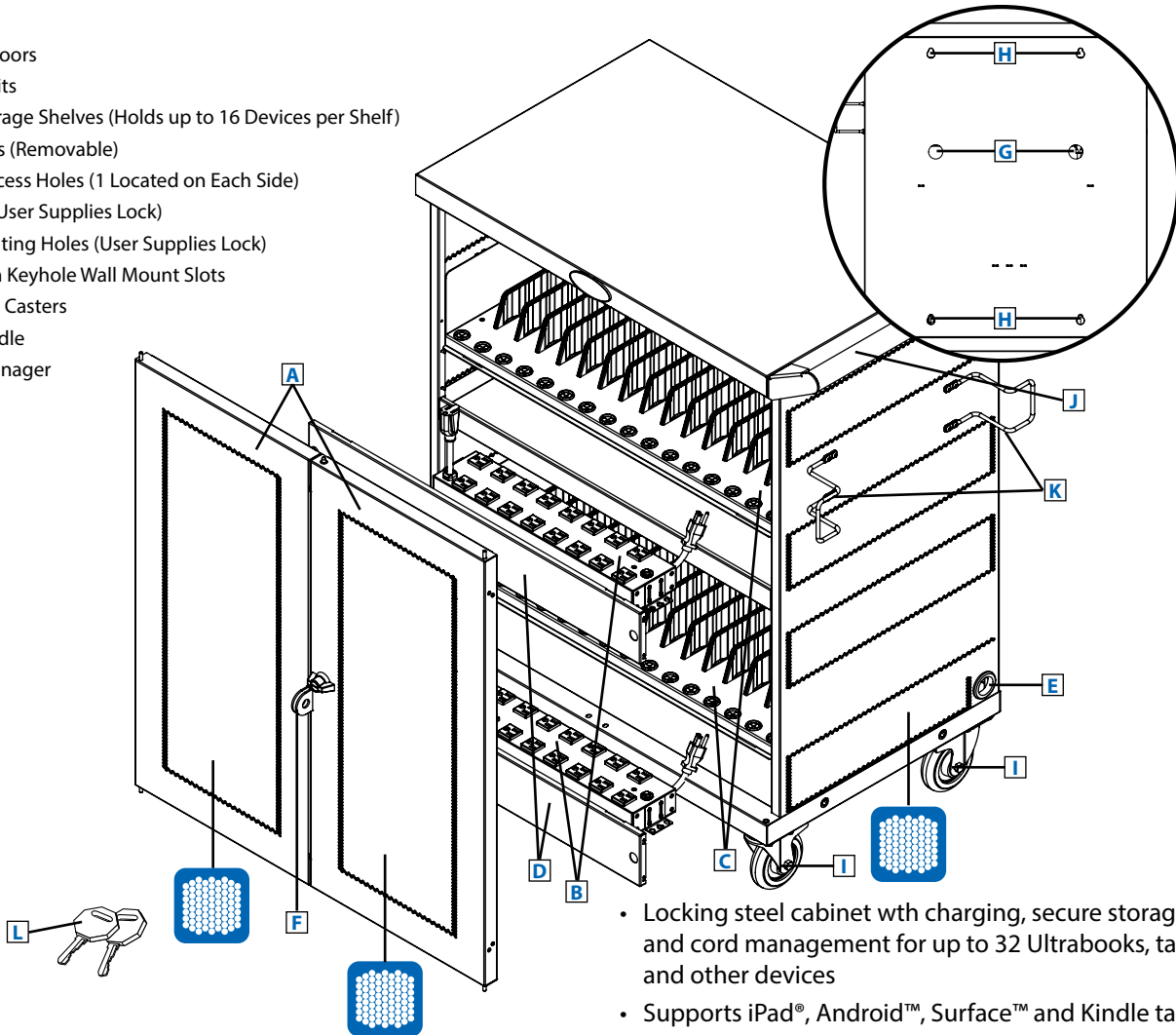
Adjustable Storage
Shelf Dividers



Ventilated for
Ample Airflow

- A** Locking Split Doors
- B** AC Charger Units
- C** Adjustable Storage Shelves (Holds up to 16 Devices per Shelf)
- D** Blanking Panels (Removable)
- E** Power Cord Access Holes (1 Located on Each Side)
- F** Padlock Hasp (User Supplies Lock)
- G** Cable Lock Routing Holes (User Supplies Lock)
- H** Rear Panel with Keyhole Wall Mount Slots
- I** Swivel/Locking Casters
- J** Reversible Handle
- K** Power Cord Manager
- L** Keys

Not Shown:
Power Cord



- Locking steel cabinet with charging, secure storage and cord management for up to 32 Ultrabooks, tablets and other devices
- Supports iPad®, Android™, Surface™ and Kindle tablets
- Adjustable/removable storage shelf dividers accommodate thicker devices
- Door locks with included keys prevent device theft, damage or tampering

SEE NEXT PAGE FOR DETAILED UNIT MEASUREMENTS

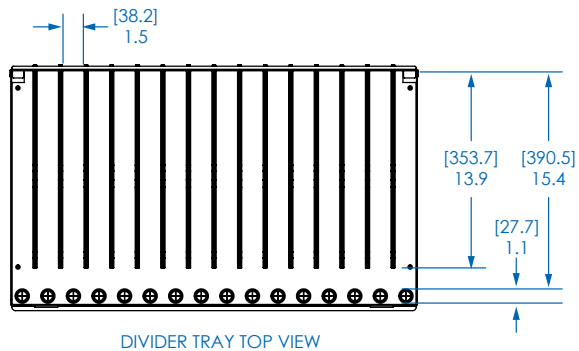
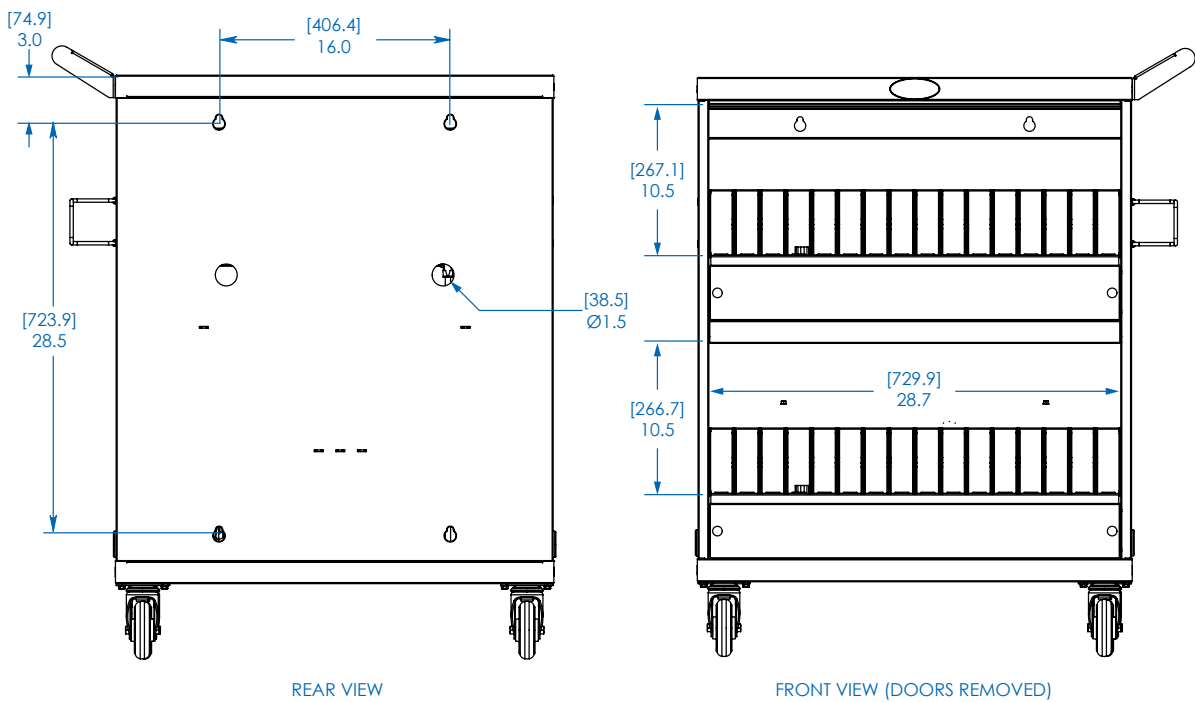
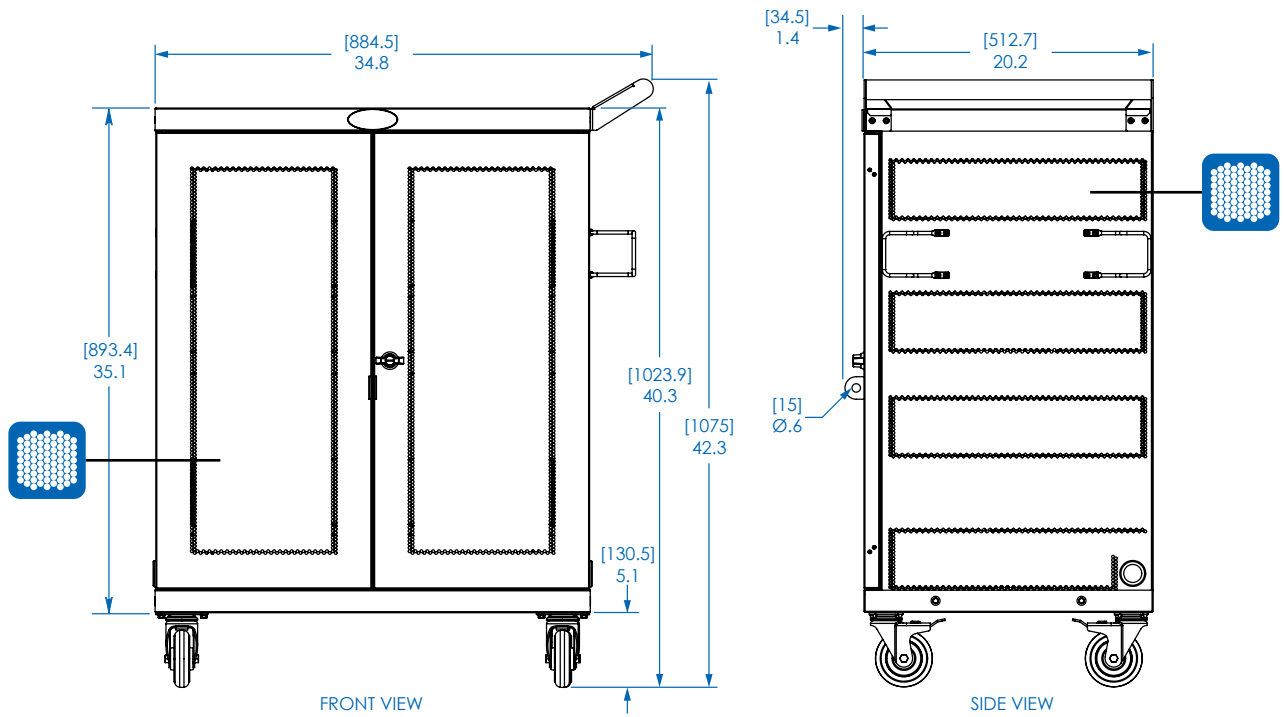
Specifications

Model	CSC32AC / CSC32ACW
Maximum Devices Per Shelf	32
AC Receptacles	32 x 5-15R
Equipment Mounting Depth	15.4 in. / 390.5 mm
Load Rating*	250 lbs. / 113 kg
Unit Dimensions with Handle and Casters Installed (H x W x D)	42.3 x 34.8 x 21.6 in. / 1067.6 x 883.9 x 548.6 mm
Unit Weight	130.67 lb. / 59.2 kg
Power Requirement	120V AC 50/60 Hz, 12A
Standards	Meets UL 60950, NOM (Mexico) and RoHS standards

* The load rating includes the combined weight of the unit and installed equipment. The unit must be mounted to a stable surface with user-supplied anchors capable of bearing the full load.



1111 W. 35th Street
Chicago, IL 60609 USA
773.869.1234
www.tripplite.com



MODELS:
**CSC32AC /
 CSC32ACW**

TRIPP-LITE

1111 W. 35th Street
 Chicago, IL 60609 USA
 773.869.1234
 www.tripplite.com

Dimensions: [mm] INCHES

Tripp Lite has a policy of continuous improvement. Specifications are subject to change without notice.