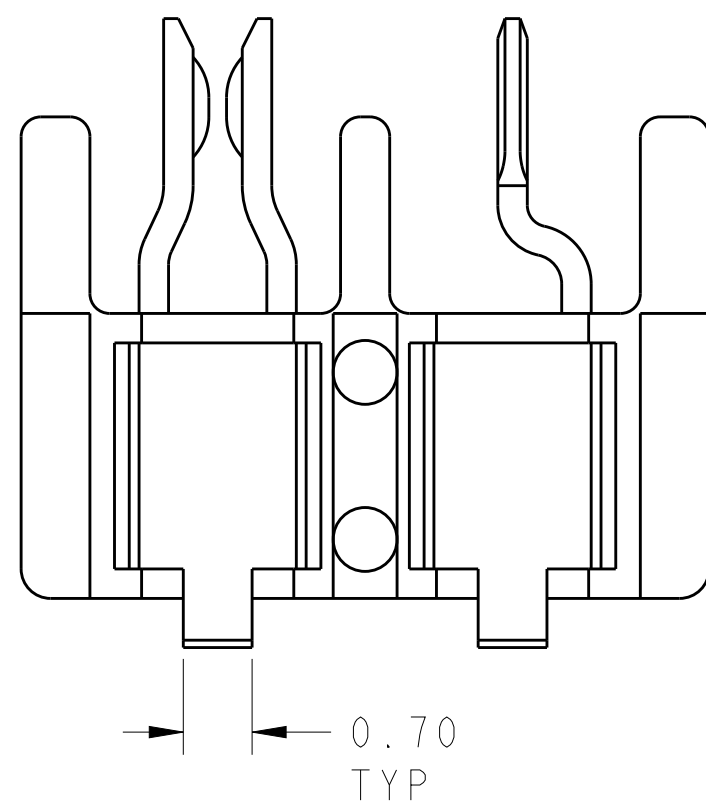
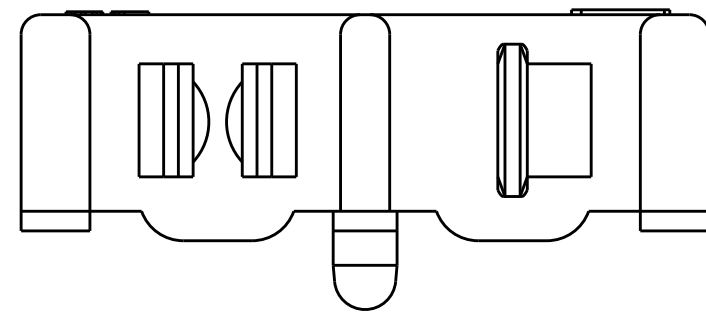
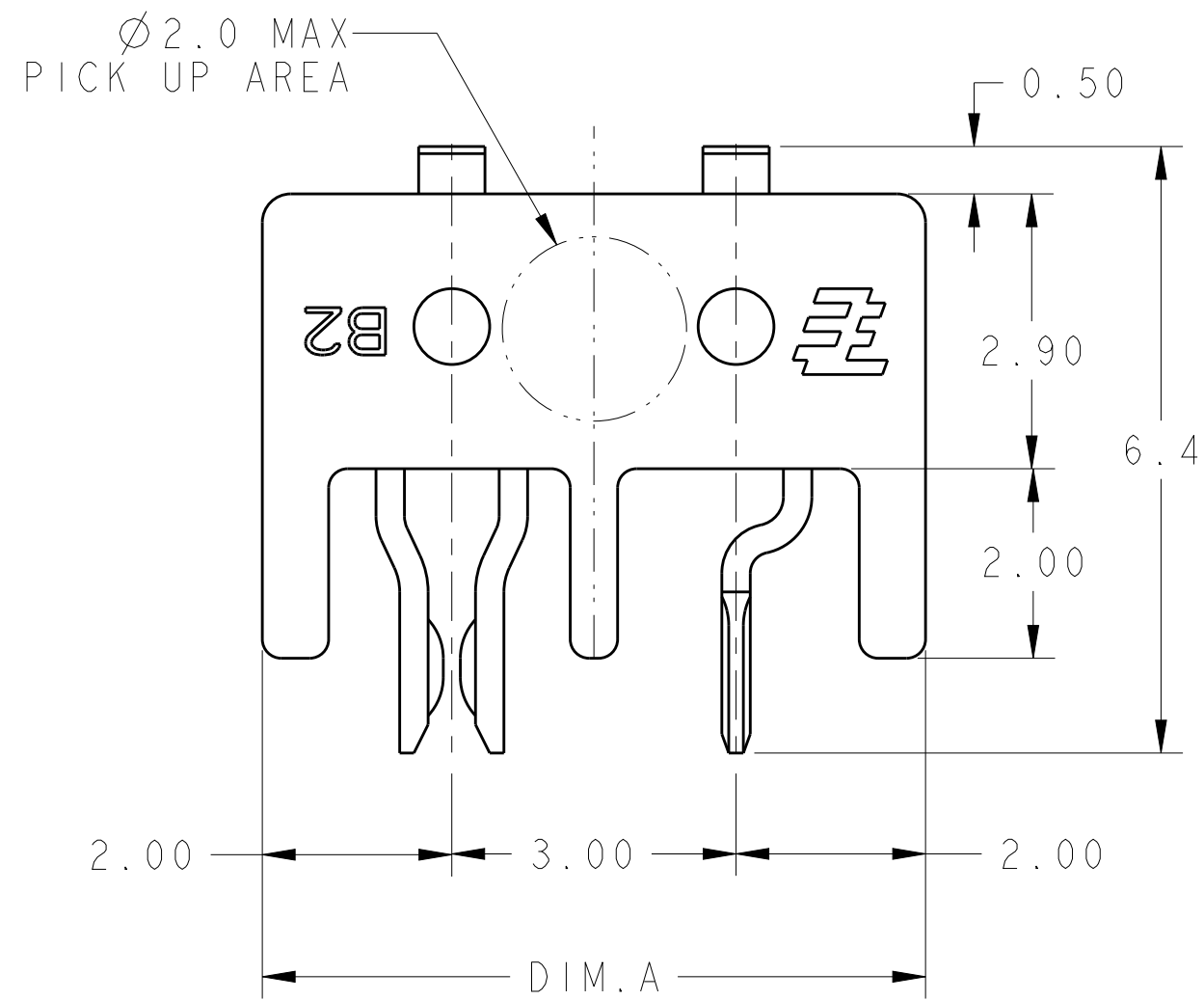
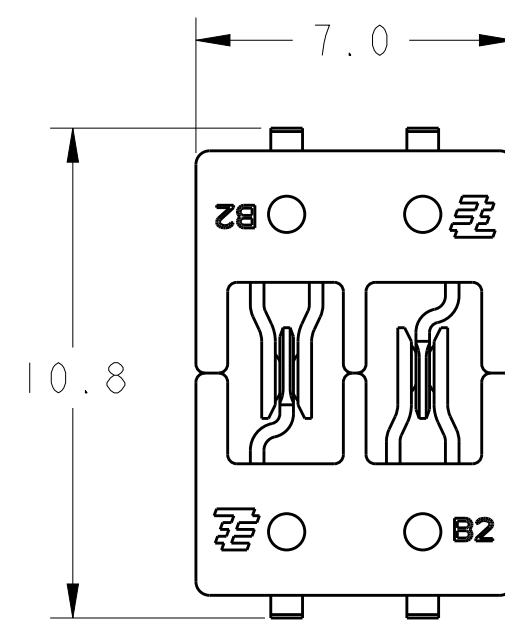
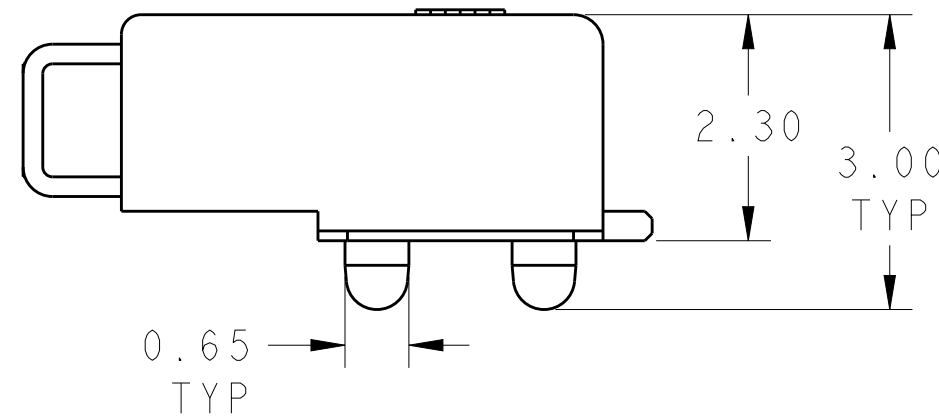


THIS DRAWING IS UNPUBLISHED. RELEASED FOR PUBLICATION 20
 © COPYRIGHT 20 BY - ALL RIGHTS RESERVED.

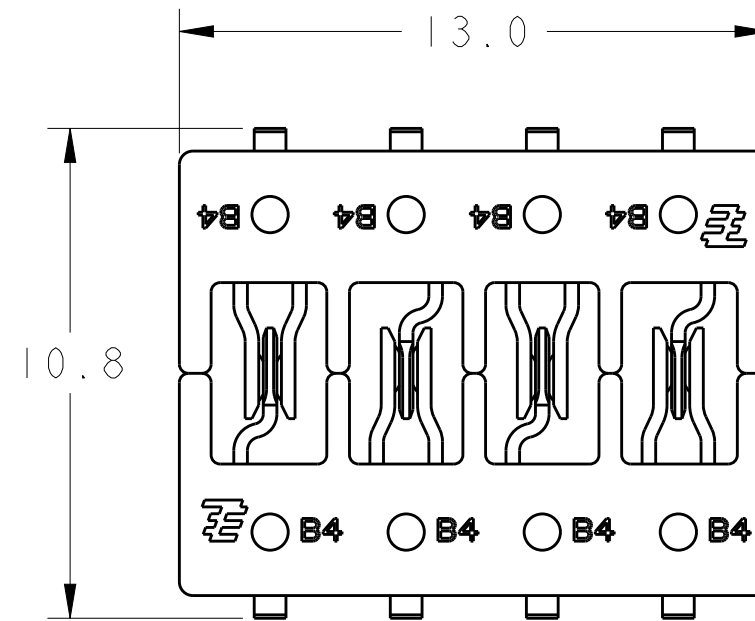
REVISIONS					
P	LTR	DESCRIPTION	DATE	DWN	APVD
A		REVISED PER ECR-16-004163	29MAR2016	RS	DD
AI		REVISED PER ECR-16-009104	23JUN2016	RS	DD



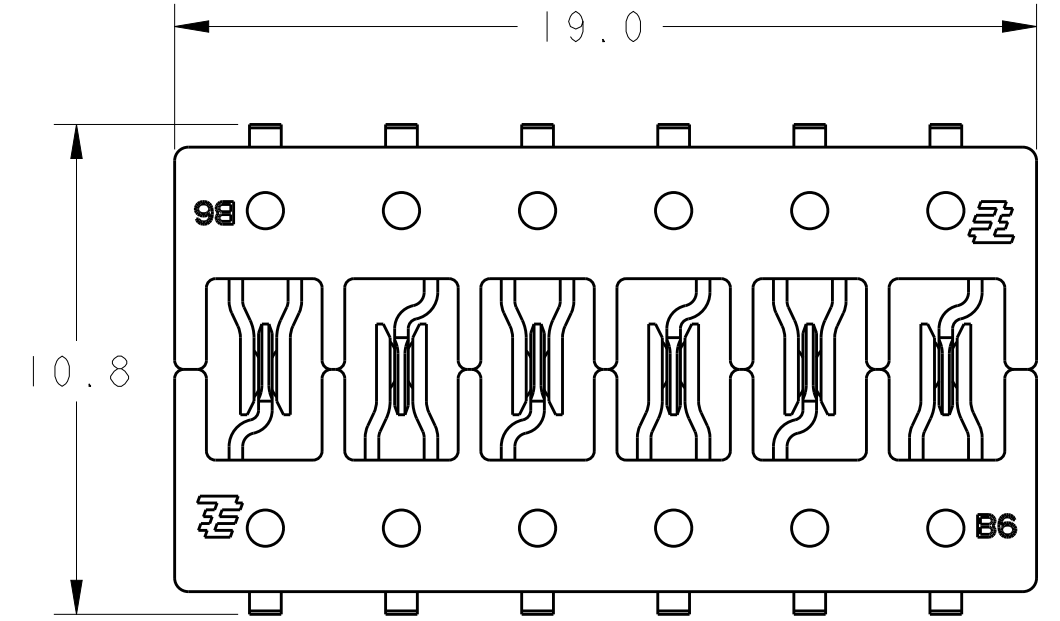
- NOTES:
1. PACKAGED IN TAPE AND REEL PER IEA-481 SPECIFICATIONS.
 2. MATERIAL AND FINISH:
 -HOUSING: THERMAL PLASTIC
 -PIN CONTACT: BRASS
 -SOCKET CONTACT: COPPER ALLOY
 -FINISH: SELECT GOLD OVER NICKEL.
 3. SUITABLE FOR SMT PROCESS.
 4. TO ENSURE THE FUNCTION OF THE MINIATURE HERMAPHRODITIC B-B CONNECTORS, THE PCB WITH MINIATURE HERMAPHRODITIC B-B CONNECTORS SHOULD BE FIXED ON THE HEAT SINK OR SOME OTHER RIGID SUBSTRATE. CUSTOMER CAN USE SCREW (SHOW AS APPLICATION VIEW), GLUE, OR SOME OTHER METHOD TO FIX THE PCBs. FOR DETAIL PLEASE REFER TO INSTRUCTION SHEET 411-106013



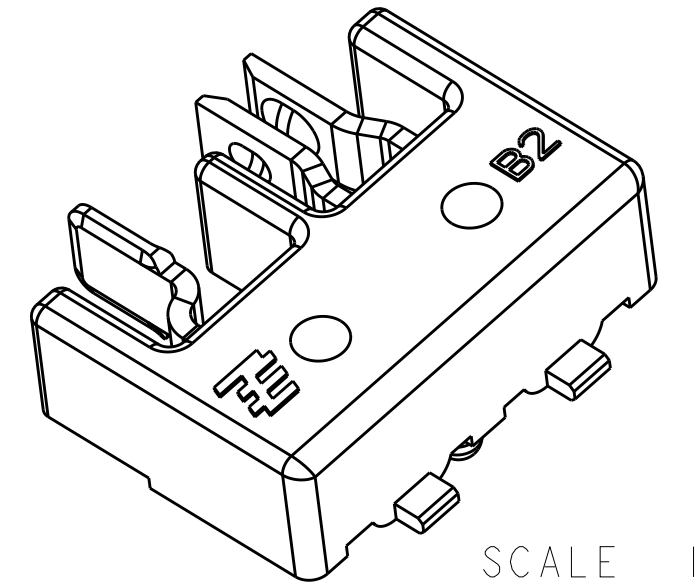
2213611-1 (2 MATING PARTS)
SCALE 6:1



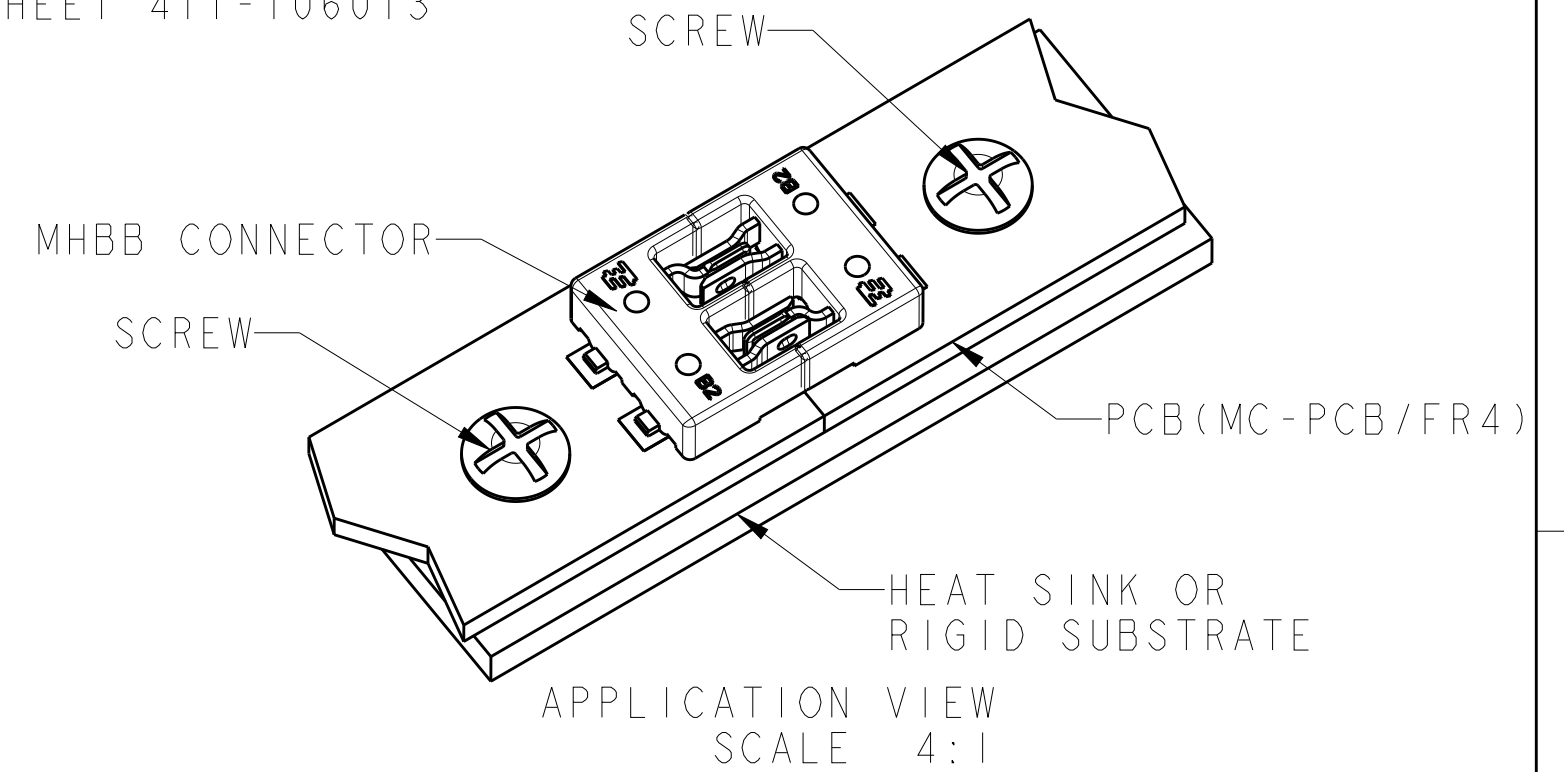
2213611-2 (2 MATING PARTS)
SCALE 6:1



2213611-3 (2 MATING PARTS)
SCALE 6:1



SCALE 10:1



APPLICATION VIEW
SCALE 4:1

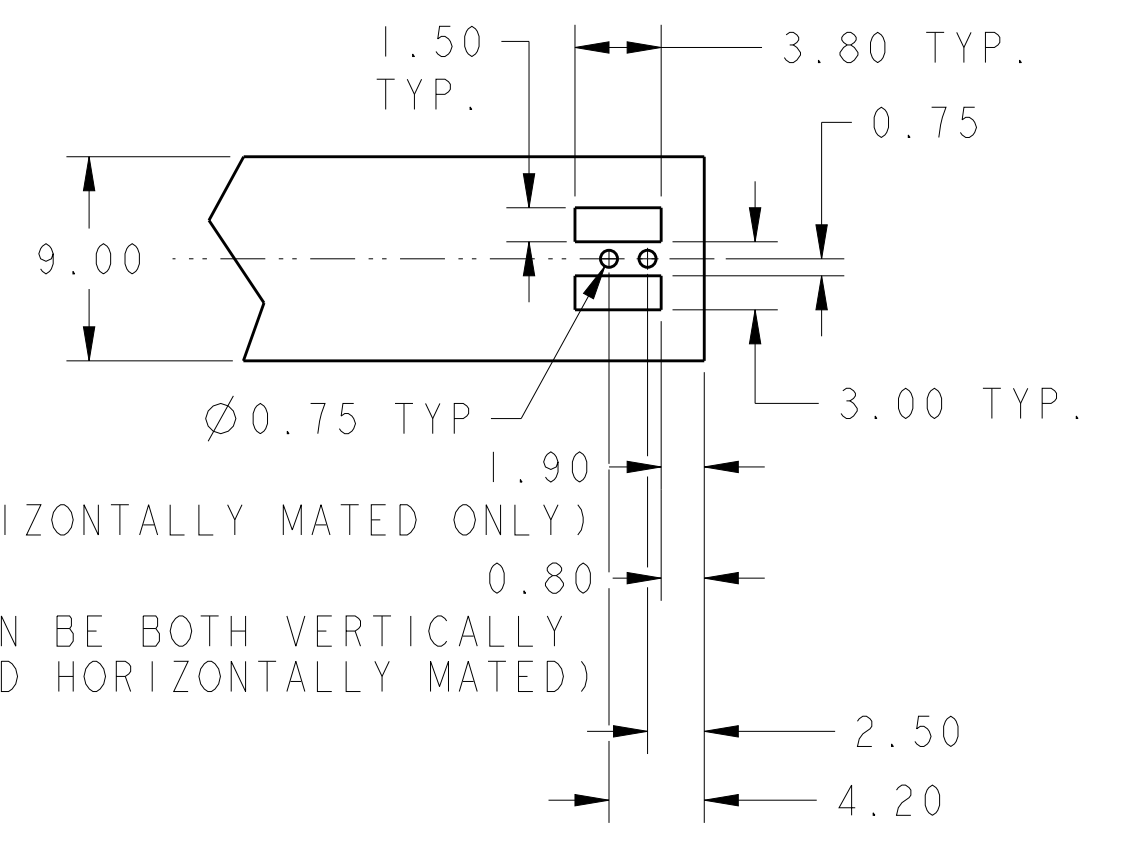
NATURAL	6P	19.0	2213611-3
NATURAL	4P	13.0	2213611-2
NATURAL	2P	7.0	2213611-1
COLOR	POSITION	DIM A	PART NO

THIS DRAWING IS A CONTROLLED DOCUMENT.

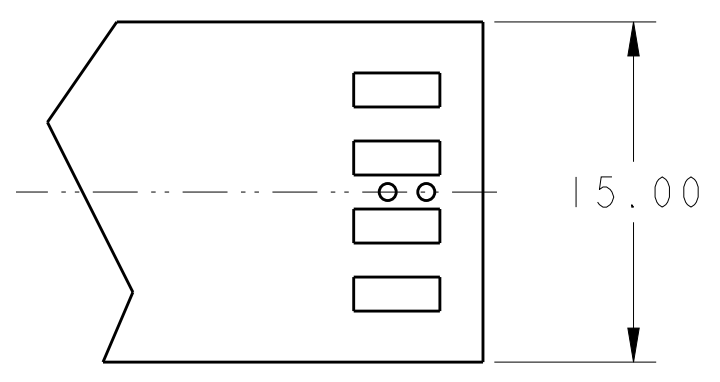
DIMENSIONS:	TOLERANCES UNLESS OTHERWISE SPECIFIED:	DWN	RAVI.S	26DEC2014
mm	0 PLC ±0.5	CHK	DONALD DECKER	26DEC2014
	1 PLC ±0.13	APVD	DONALD DECKER	26DEC2014
	2 PLC ±0.13	PRODUCT SPEC		108-106050
	3 PLC ±0.013	APPLICATION SPEC		114-106050
	4 PLC ±0.0001	WEIGHT		-
	ANGLES ±	CUSTOMER DRAWING		
MATERIAL	FINISH	TE Connectivity NAME: MINIATURE HERMAPHRODITIC BOARD TO BOARD CONNECTOR SIZE: A2 CAGE CODE: 00779 DRAWING NO: C-2213611 RESTRICTED TO: - SCALE: 13:1 SHEET 1 OF 2 REV: AI		

THIS DRAWING IS UNPUBLISHED. RELEASED FOR PUBLICATION 20
 © COPYRIGHT 20 BY - ALL RIGHTS RESERVED.

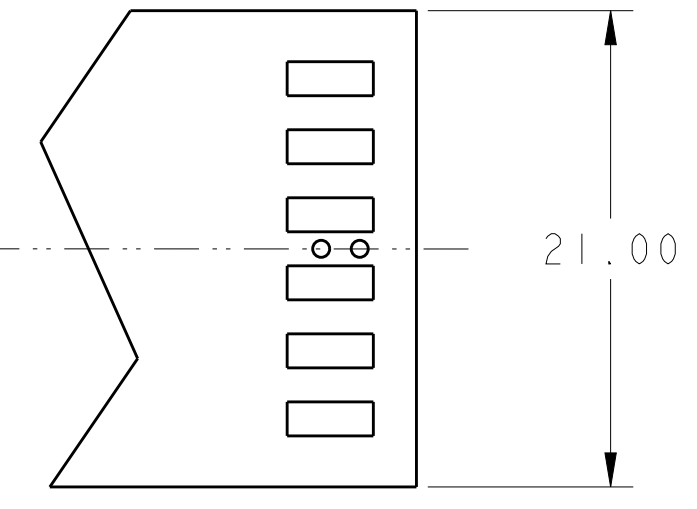
LOC		DIST		REVISIONS			
P	LTR	DESCRIPTION	DATE	DWN	APVD		
-	-	SEE SHEET 1	-	-	-		



RECOMMENDED PCB LAYOUT FOR 2213611-1 (±0.10mm)
SCALE 3:1

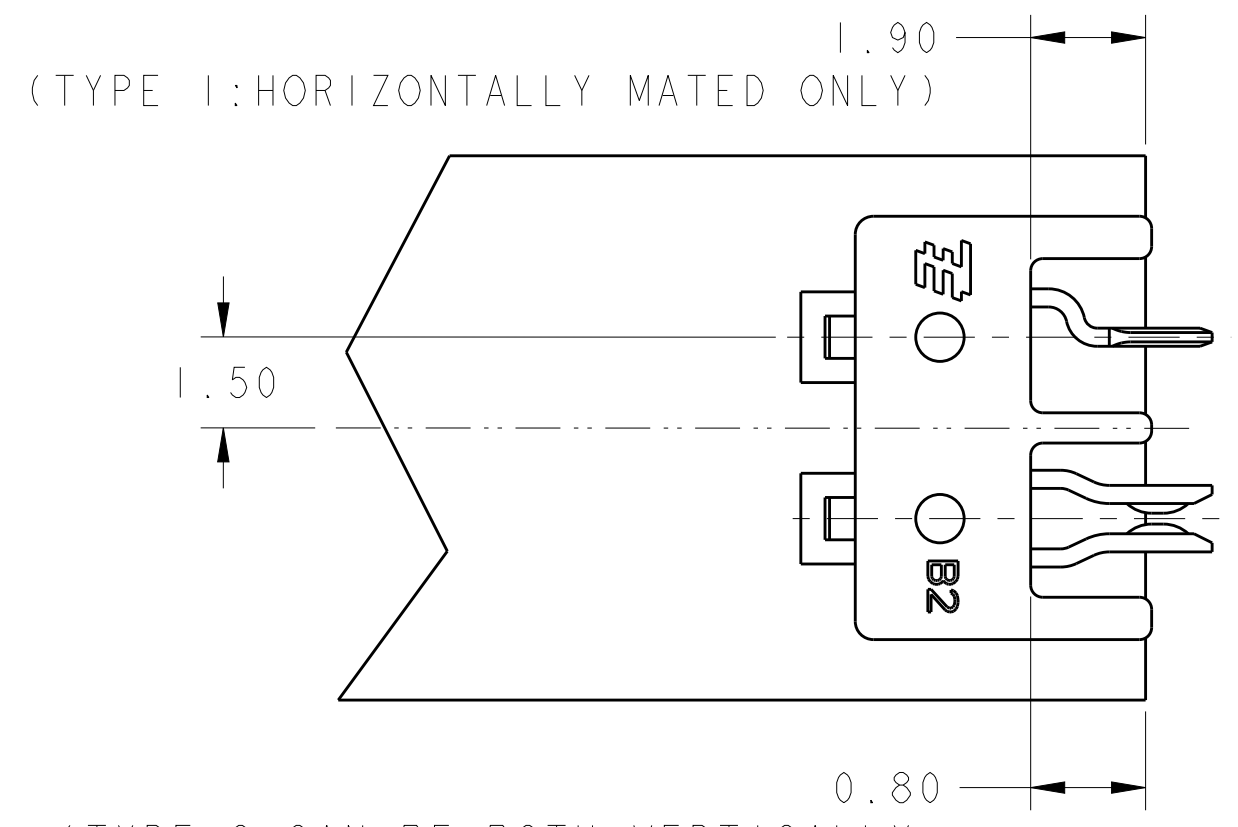


RECOMMENDED PCB LAYOUT FOR 2213611-2 (±0.10mm)
SCALE 3:1

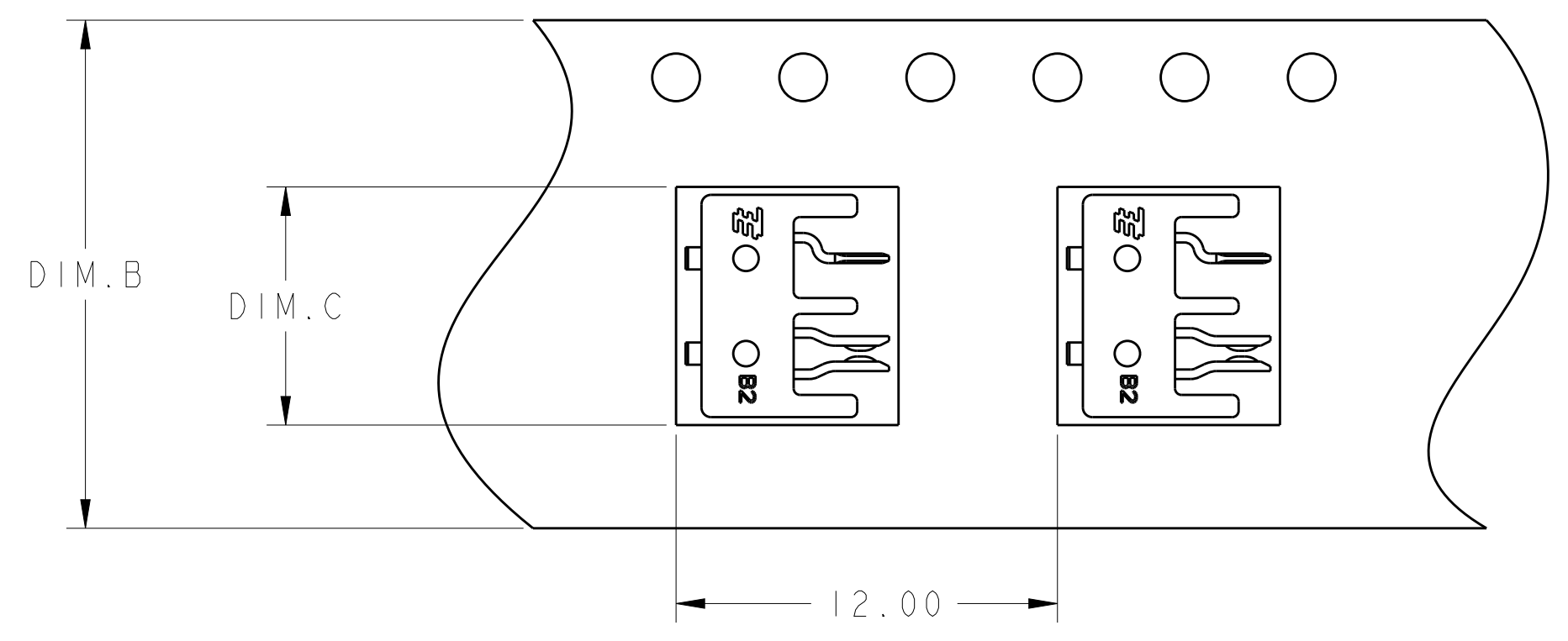


RECOMMENDED PCB LAYOUT FOR 2213611-3 (±0.10mm)
SCALE 3:1

ALL FEATURES AND DIMENSIONS OF PCB LAYOUT FOR 2213611-2, 2213611-3 ARE THE SAME AS PCB LAYOUT FOR 2213611-1 EXCEPT AS SHOWN



SOLDERING LAYOUT (±0.10mm)
SCALE 8:1



TO BE PACKAGED AS SHOWN (±0.10mm)
SCALE 5:1

6P	19.30	32.00	2213611-3
4P	13.30	24.00	2213611-2
2P	7.30	16.00	2213611-1
POSITION	DIM.C	DIM.B	FOR P/N

THIS DRAWING IS A CONTROLLED DOCUMENT.		DWN RAVLS 26DEC2014	TE Connectivity	
DIMENSIONS: mm		CHK DONALD DECKER 26DEC2014		
TOLERANCES UNLESS OTHERWISE SPECIFIED:		APVD DONALD DECKER 26DEC2014	NAME MINIATURE HERMAPHRODITIC BOARD TO BOARD CONNECTOR	
0 PLC ±		PRODUCT SPEC 108-106050	SIZE CAGE CODE DRAWING NO RESTRICTED TO	
1 PLC ±0.5		APPLICATION SPEC 114-106050	A200779 C-2213611	
2 PLC ±0.13		WEIGHT -	SCALE 3:1 SHEET 2 OF 2 REV A1	
3 PLC ±0.013		CUSTOMER DRAWING		
4 PLC ±0.0001				
ANGLES ±				
FINISH -				