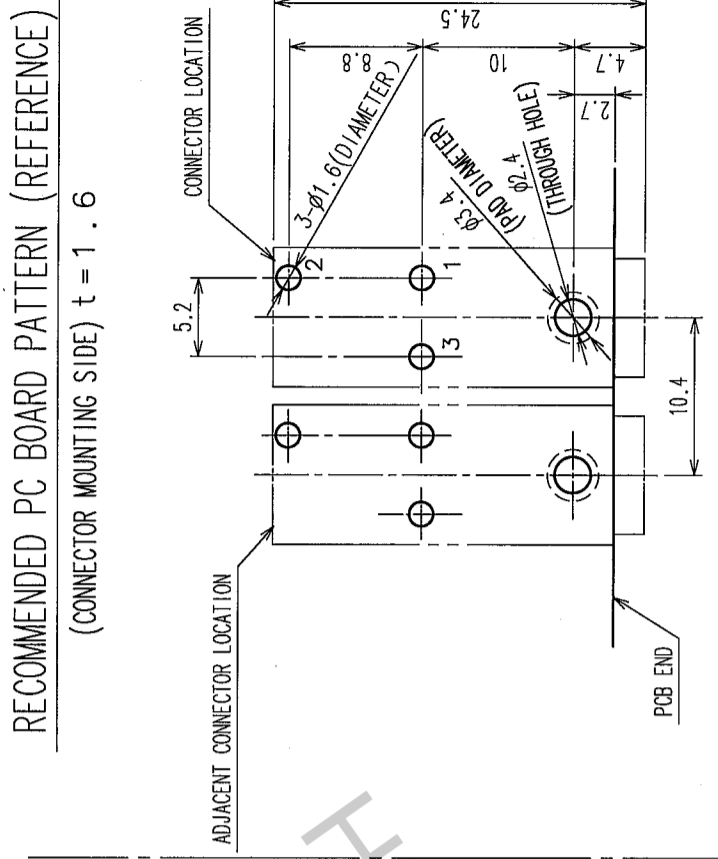
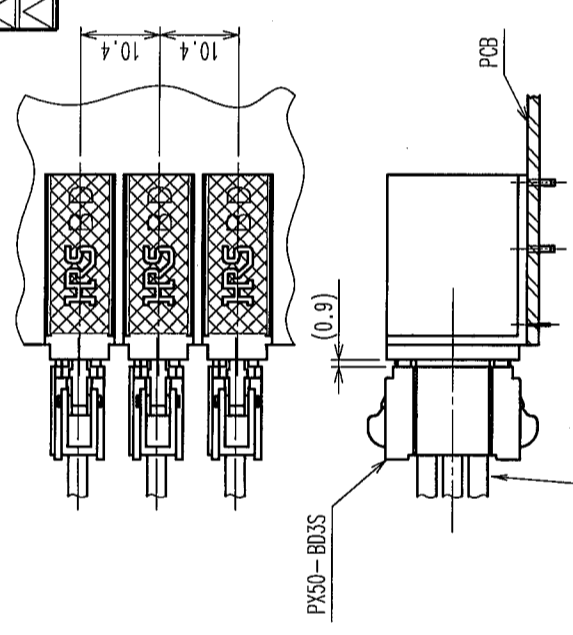
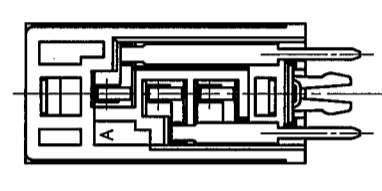


| COUNT | DESCRIPTION OF REVISIONS | BY | CHKD | DATE | COUNT | DESCRIPTION OF REVISIONS | BY | CHKD | DATE |
|-------|--------------------------|----|------|------|-------|--------------------------|----|------|------|
| △ | | | | | △ | | | | |
| △ | | | | | △ | | | | |
| △ | | | | | △ | | | | |

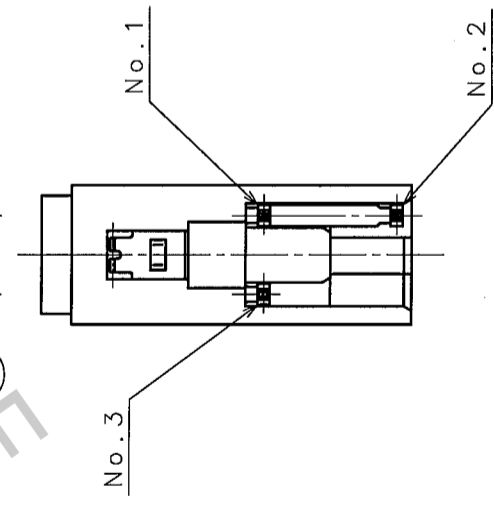
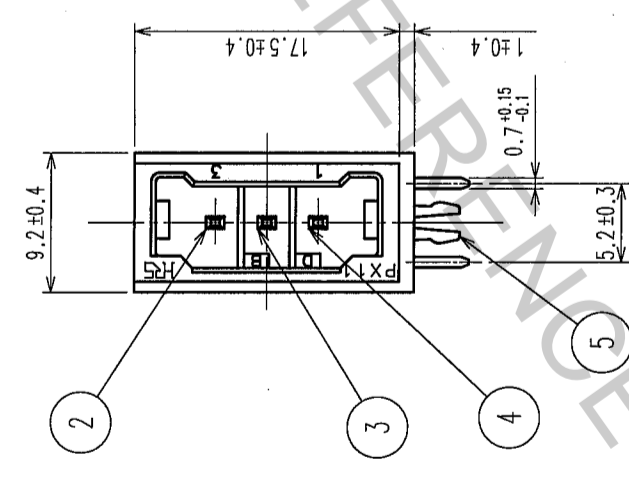
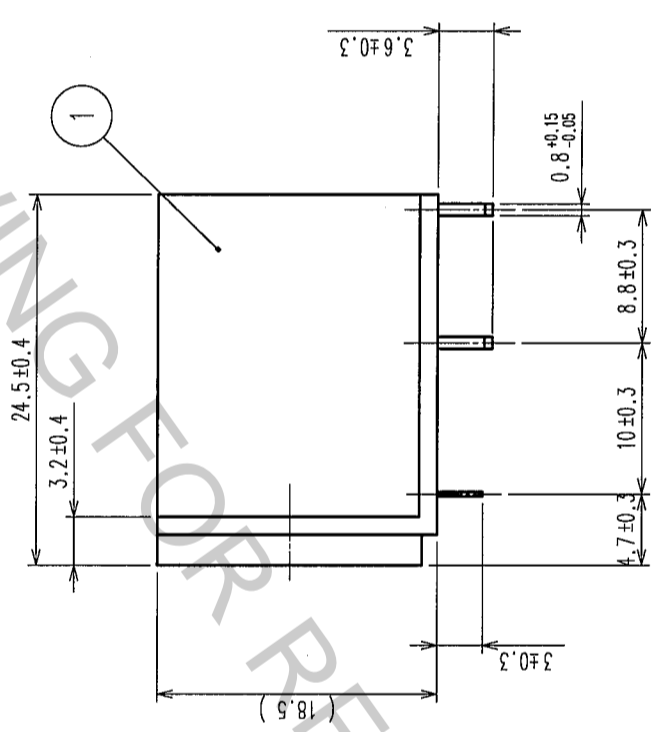
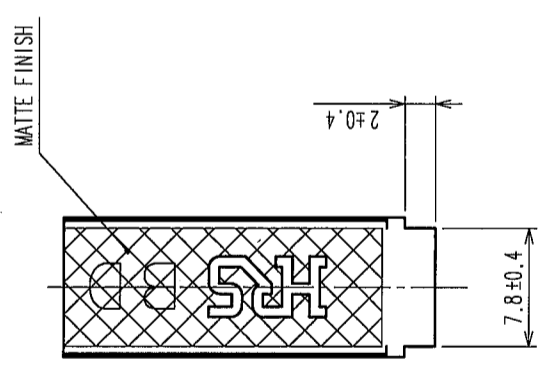
MATING CONDITION (1:1)



RECOMMENDED PC BOARD PATTERN (REFERENCE)
(CONNECTOR MOUNTING SIDE) t = 1.6



NOTE 1. THIS PRODUCT CAN NOT BE USED AS HOT-PLUG.
NOTE 2. THIS PRODUCT WILL BE DELIVERED WITH 100PCS PER 1SET.
(ORDER 1=100PCS)



| NO. | MATERIAL | FINISH, REMARKS | NO. | MATERIAL | FINISH, REMARKS |
|-----|--------------|------------------------------------------------------------------|-----|--------------|------------------------------------------------------------------|
| 3 | COPPER ALLOY | CONTACT AREA: GOLD PLATING 0.2μm PCB SIDE: GOLD FLASH PLATING | 5 | COPPER ALLOY | TIN PLATING |
| 2 | COPPER ALLOY | CONTACT AREA: GOLD PLATING 0.2μm PCB SIDE: GOLD FLASH PLATING | 4 | COPPER ALLOY | CONTACT AREA: GOLD PLATING 0.2μm PCB SIDE: GOLD FLASH PLATING |
| 1 | PBT | BLACK UL94V-0 | | | |

| CODE NO. (OLD) | DRAWN | DESIGNED | CHECKED | APPROVED | RELEASED |
|----------------|----------|----------|----------|----------|----------|
| | Y. Sato | T. Ito | Y. Enami | H. Mura | |
| | 05.11.28 | 05.11.28 | 05.11.28 | 05.11.28 | |

| DRAWING NO. | PART NO. |
|----------------|----------------|
| EDC3-121811-01 | PX11-BD3P (50) |

| SCALE | UNITS | CODE NO. |
|-------|-------|-----------------|
| 2 : 1 | mm | CL236-0011-3-50 |

| | |
|----|----|
| TO | Q1 |
|----|----|