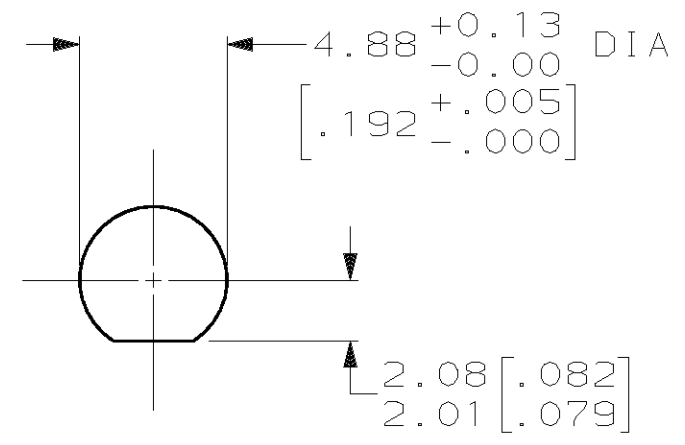
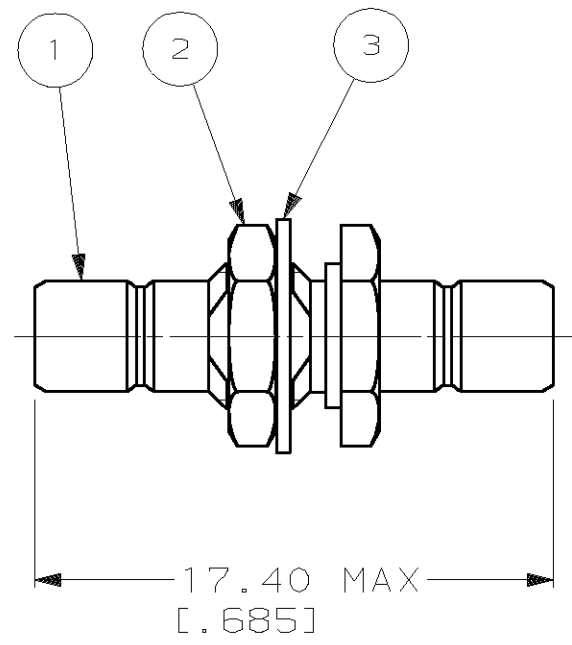


THIS DRAWING IS UNPUBLISHED. RELEASED FOR PUBLICATION

© COPYRIGHT ALL INTERNATIONAL RIGHTS RESERVED.

LOC AJ	DIST 16	P	F	REVISIONS			DATE	APPD
				ZONE	LTR	DESCRIPTION		
				H1		REVISED PER ECO-11-005294	11APR11	HMR



SUGGESTED PANEL CUT-OUT

SUPSD BY 228553-1	415001-2	414969-2	228569-2	228553-2
	415001-2	414969-2	228569-1	228553-1
③ LOCKWASHER QTY=1	② JAM NUT QTY=1	① BULKHEAD ASSEMBLY QTY=1	PART NO	

DO NOT SCALE PRINT. UNLESS SPECIFIED DIMENSIONS IN mm [INCHES] TOLERANCES ON: 2 PLC DEC ± - 3 PLC DEC ± .008 ANGLES ± -	DR <i>K. Heilig</i> 6/11/92			
	CHK G. MICHAEL 7/8/92			
	MATERIAL -	APPD G. MICHAEL 7/8/92	NAME ADAPTER, BULKHEAD, SMB	
	FINISH -	APPD K. HEILIG 7/13/92	SIZE B	CAGE CODE 00779
	PRODUCT SPEC -	SCALE 4:1	SHEET 1 OF 1	
	APPLICATION SPEC -			
	WEIGHT -			

CUSTOMER DRAWING