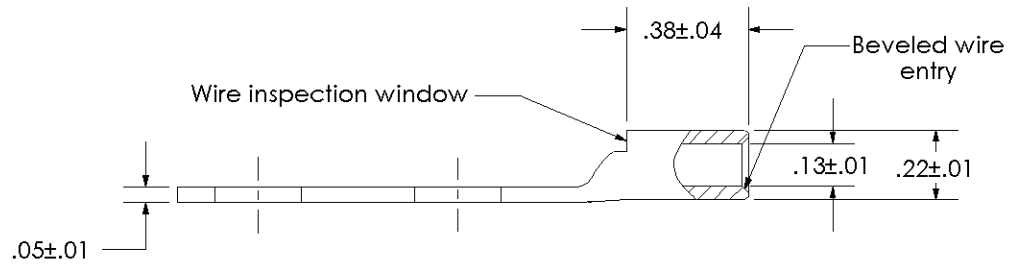
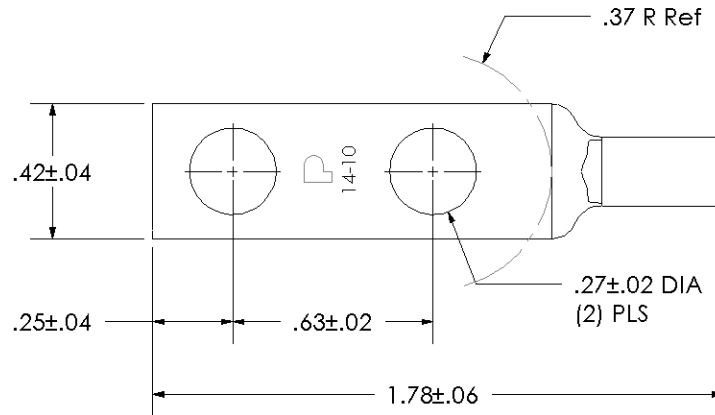


THIS COPY IS PROVIDED ON A RESTRICTED BASIS AND IS NOT TO BE USED IN ANY WAY DETRIMENTAL TO THE INTERESTS OF PANDUIT CORP.

| | |
|--|--|
| Material | High Conductivity Seamless Copper Tube |
| Plating | Electro-Tin |
| Wire Size | 10 AWG |
| Wire Type | Stranded Copper; Class B: Compact, Compressed or Concentric, Class C: Concentric |
| Wire Strip Length | 7/16 in. |
| Stud Size | 1/4 in. |
| UL Listed Wire Connector | Yes, for applications up to 35kv. Consult cable manufacturer for voltage stress relief instructions with applications greater than 2000 volts. |
| UL Temperature Rating | 90° C |
| C.S.A Certified Wire Connector | Yes |
| Panduit Color Code on Barrel | N/A |
| Panduit Die Index No. on Barrel | N/A |
| Alternate Industry Die Index No. () on Barrel | N/A |



CERTIFIED



LISTED Wire Connector

PANDUIT CORP. TINLEY PARK, ILLINOIS

LCD10-14A-L
Copper Lug - Two-Hole, Standard Barrel

00 12/02 SAB DRL

RELEASED

10343

REV DATE BY CHK

DESCRIPTION

ECN

SCALE N/A

DRAWING NO / CAD FILE

LCD10-14A-CUST