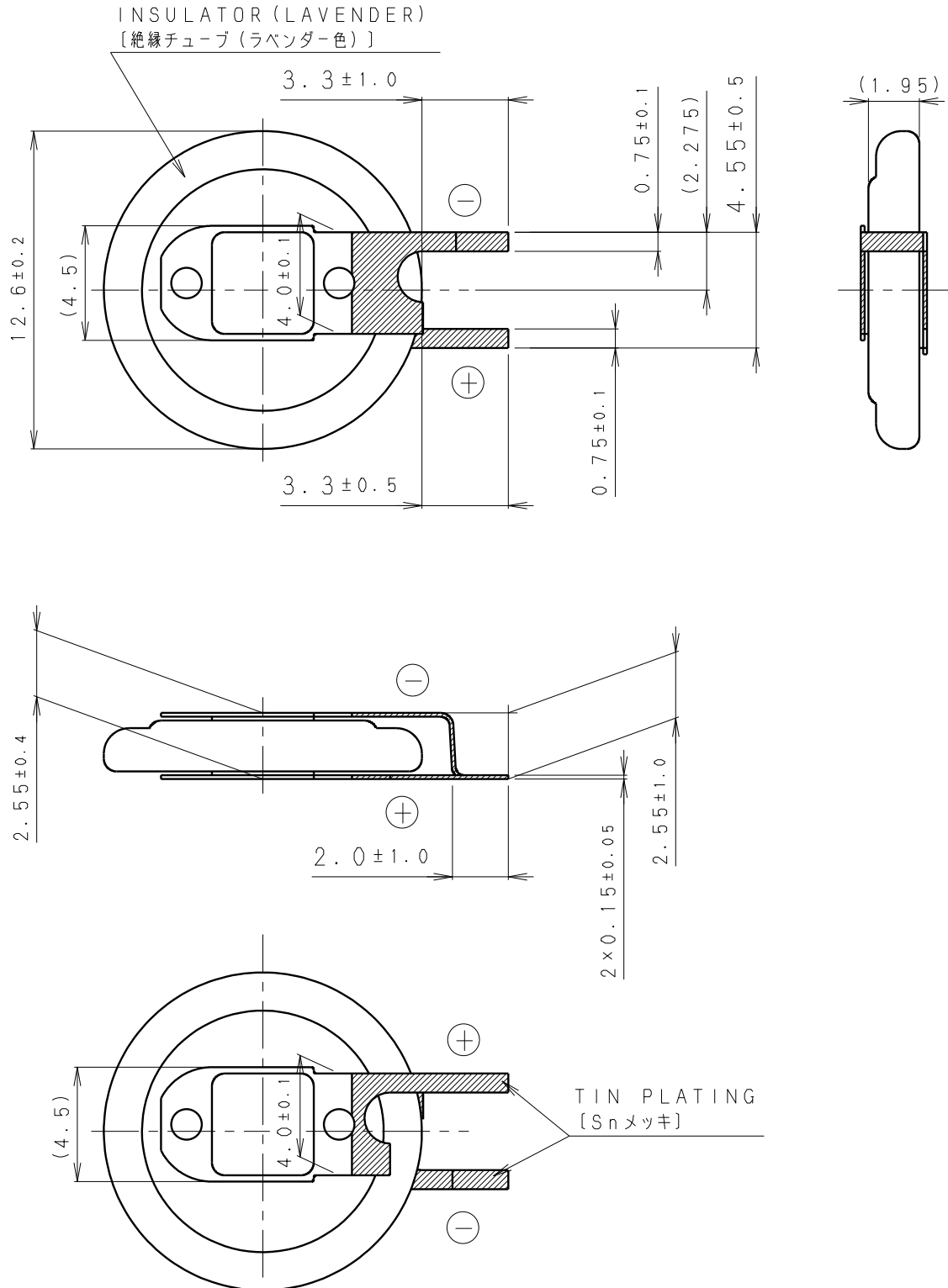




\* NOTE [注記]

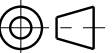
1. TAB PULLING STRENGTH OVER 14.7N  
[端子溶接強度: 14.7N以上]
2. TAB MATERIAL: STAINLESS STEEL WITH TIN PLATING  
[端子材料: 基材 ステンレス/表面 部分Snメッキ]
3. ( ): REFERENCE DIMENSION AND ANGLE  
[ ( ) 寸法、角度は参考値]

PRODUCT NO.	ML-1220/F1AN	SCALE	
		4:1	
DRAWING NO.	JEFF6Z	REV.	
		0	



\* NOTE [注記]

1. TAB PULLING STRENGTH OVER 14.7N  
[端子溶接強度: 14.7N以上]
2. TAB MATERIAL: STAINLESS STEEL WITH TIN PLATING   
[端子材料: 基材 ステンレス/表面 部分Snメッキ 
3. ( ): REFERENCE DIMENSION AND ANGLE  
[ ( ) 寸法、角度は参考値]

PRODUCT NO.	ML-1220/F1BN	SCALE	
		4:1	
DRAWING NO.	JEFB6Z	REV.	
		0	