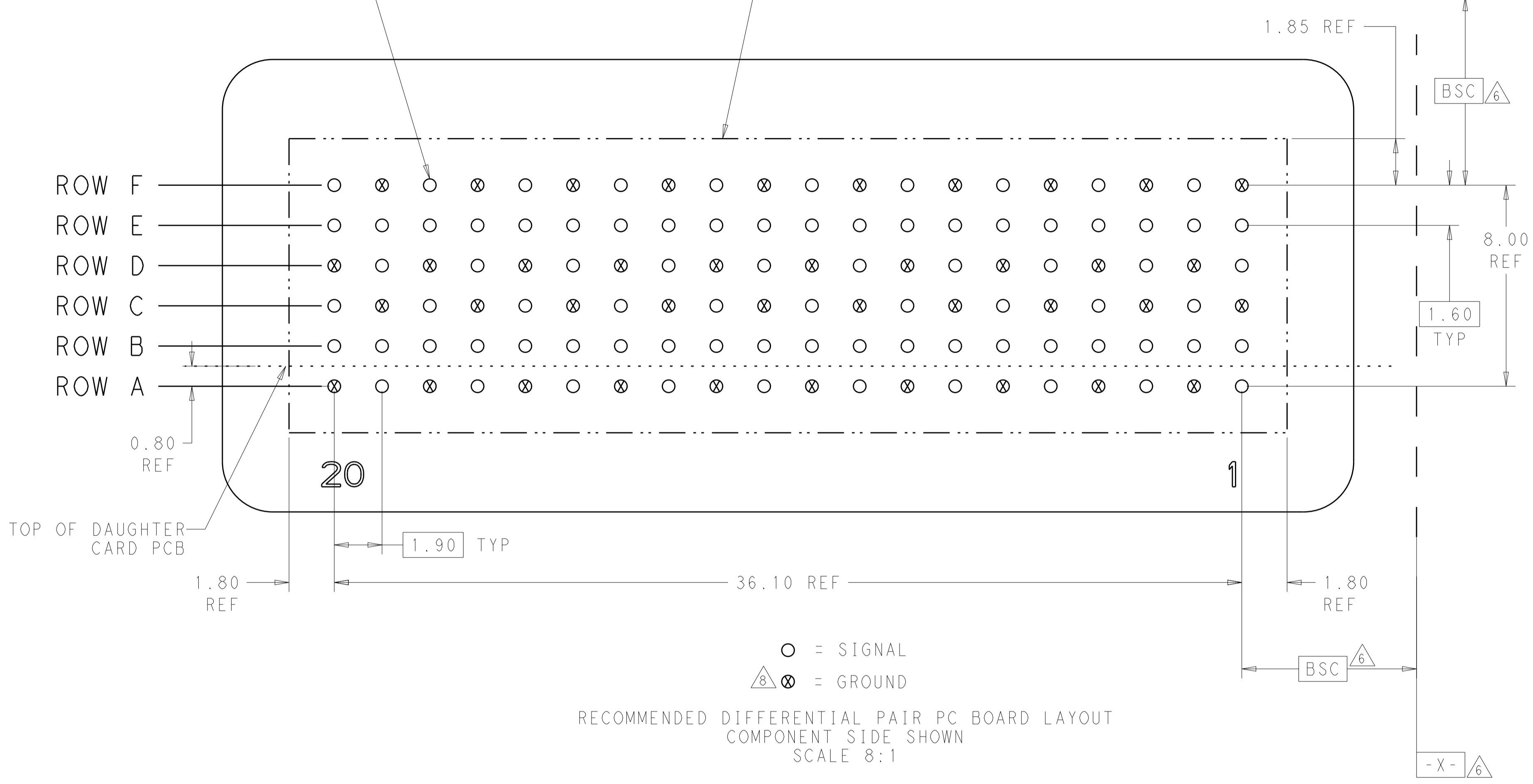
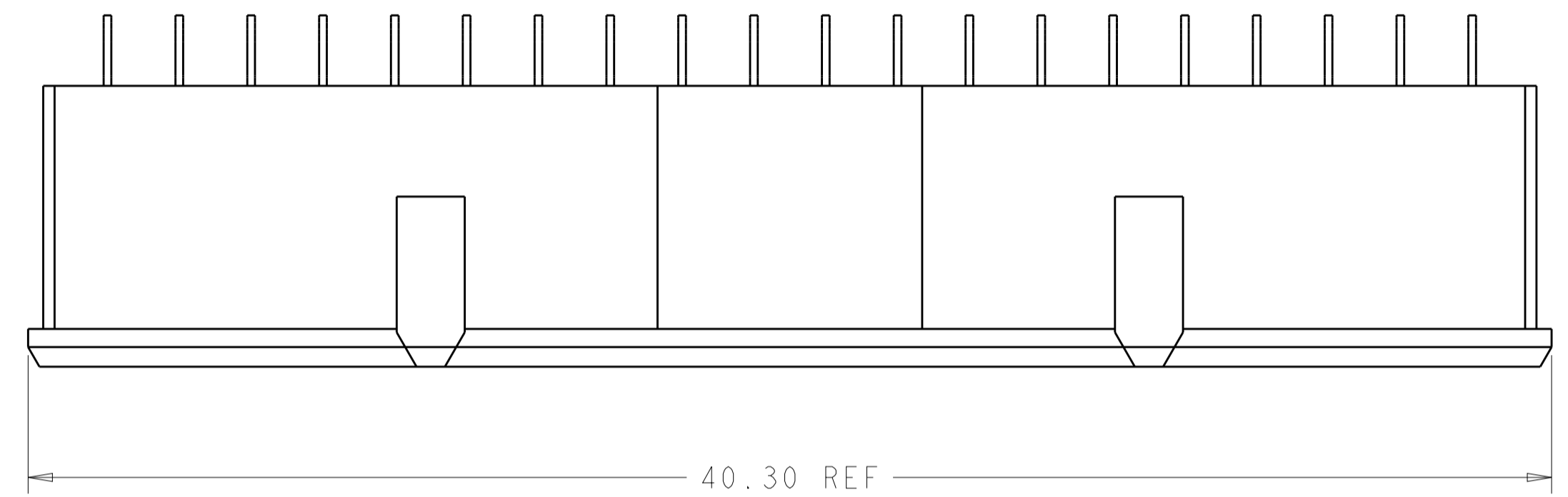


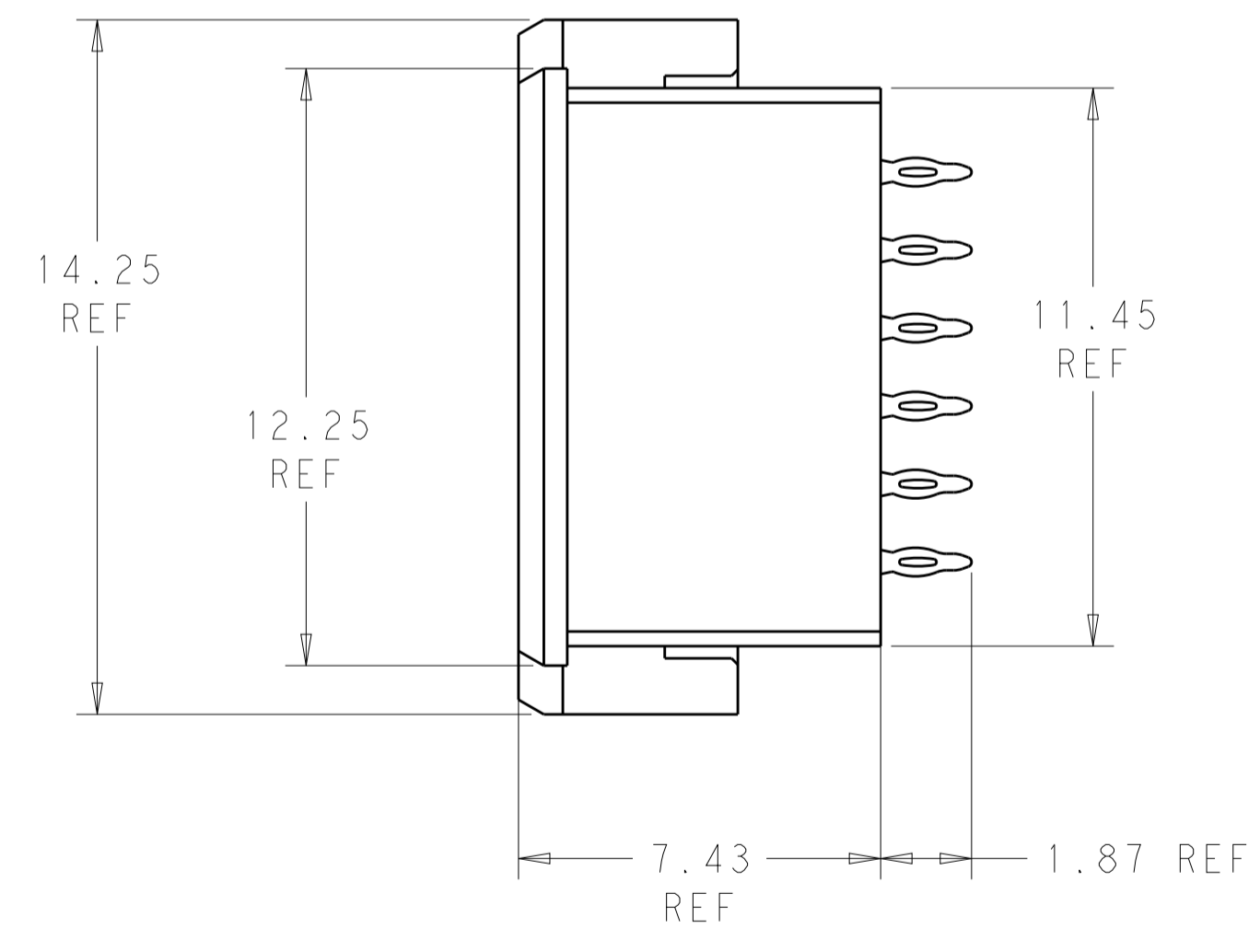
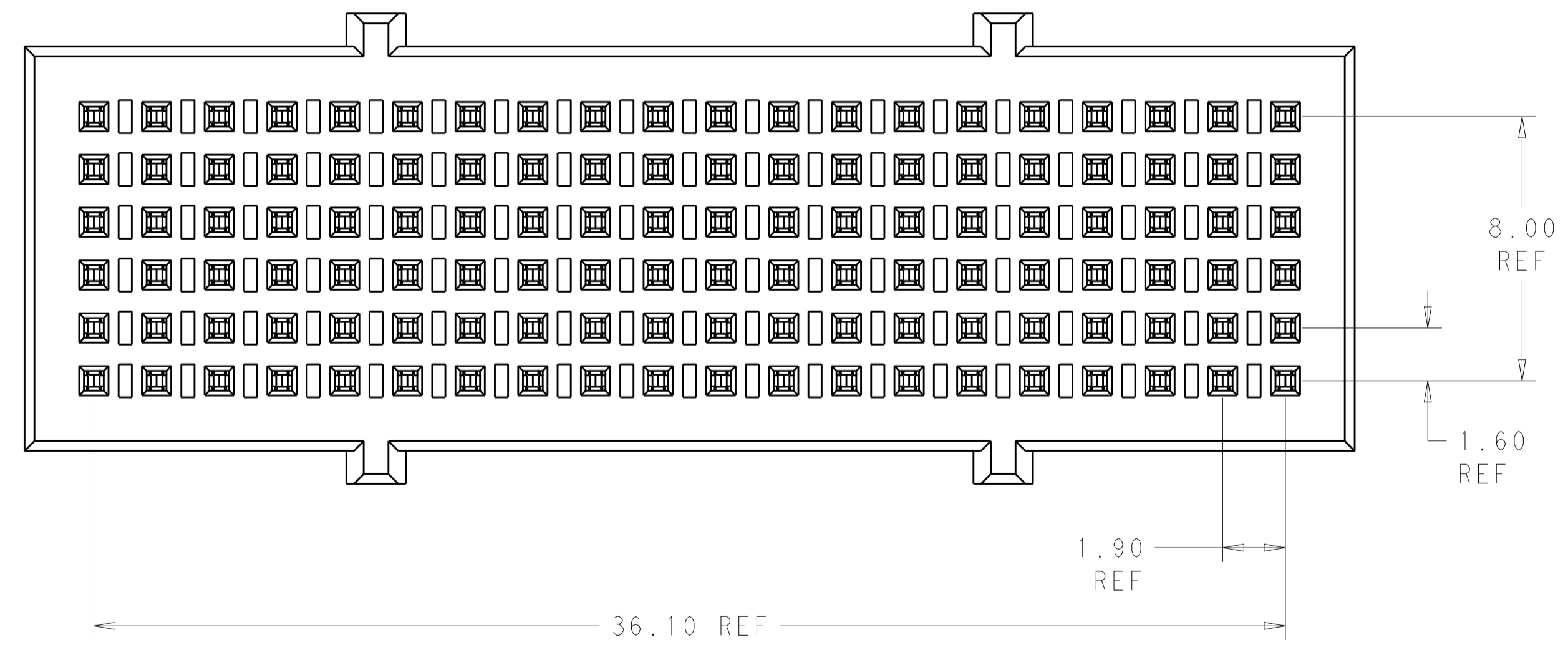
LOC	DIST	REV	DATE	BY	CHK	APPV
-	-	A	11OCT2012	MGM	CT	
-	-	B	01APR2013	KG	DH	
-	-	C	20NOV14	MGM	CT	

$\oplus \varnothing 0.05 \text{ X Y}$   
 FINISHED HOLE SIZE  
 AND PLATED THRU HOLES

CONNECTOR  
 OUTLINE



○ = SIGNAL  
 ⊗ = GROUND  
 RECOMMENDED DIFFERENTIAL PAIR PC BOARD LAYOUT  
 COMPONENT SIDE SHOWN  
 SCALE 8:1



- 1 MATERIAL: CONTACT - COPPER ALLOY HOUSING - LCP, COLOR - BLACK
- 2 FINISH: MATING AREA: 1.27µm MIN GOLD OVER 1.25µm MIN NICKEL
- 3 FINISH: COMPLIANT PIN AREA: 0.38µm MIN BRIGHT TIN LEAD OVER 1.27µm MIN NICKEL
- 4 FINISH: COMPLIANT PIN AREA: 0.38µm MIN MATTE TIN OVER 1.27µm MIN NICKEL
- 5 --
- 6 DATUMS AND BASIC DIMENSIONS ESTABLISHED BY CUSTOMER.
- 7 REFERENCE APPLICATION SPEC 114-13267 FOR RECOMMENDED PLATING THRU HOLE DIAMETER AND PLATING THICKNESS.
- 8 RECOMMENDED DIFFERENTIAL PAIR CONFIGURATION SHOWN. THE CONNECTOR UTILIZES AN OPEN PIN FIELD AND CAN BE LAID OUT IN A SINGLE-ENDED CONFIGURATION.

2, 4	2102234-2
2, 3	2102234-1
FINISH	PART NUMBER

THIS DRAWING IS A CONTROLLED DOCUMENT. DIMENSIONING AND TOLERANCING PER ASME Y14.5M-2009.		OWN: D. BELACK 24NOV2010 CHK: A. TSANG	TE Connectivity	
DIMENSIONS: mm	TOLERANCES UNLESS OTHERWISE SPECIFIED:	APVD: M. McALONIS	NAME: Fortis Zd, 2-PAIR, 20-COLUMN VERTICAL, FULL SHROUD ASSEMBLY	
0 PLC ±0.13	1 PLC ±0.05	PRODUCT SPEC: 108-2409	SIZE: A1	RESTRICTED TO: -
2 PLC ±0.05	3 PLC ±0.05	APPLICATION SPEC: 114-13267	CAGE CODE: 2102234	SCALE: 7:1
4 PLC ±0.05	ANGLES ±2°	WEIGHT: ~5.21g	SHEET: 1 OF 1	REV: C
MATERIAL: 1	FINISH: -	Customer Drawing		