

NOTES:

1. METALSHELLS: STEEL; min. 315µin TIN over 40-80µin NICKEL
2. INSULATORS: PBT GF UL 94 V-0, BLACK
3. CONTACTS: COPPER ALLOY
PLATING: GOLD FLASH over NICKEL
4. METAL BRACKETS: ZINC DIE CAST; 300µin COPPER/40-120µin NICKEL/120-200µin TIN
5. THREADED INSERTS: COPPER ALLOY; min. 200µin TIN over 80µin NICKEL
6. FIXING-PLATE: PBT GF UL 94 V-0, BLACK
7. MAXIMUM TORQUE VALUE FOR THREAD: 6 in.LB
8. CONNECTOR IS PART MARKED: **163A19179X CONEC ABC**

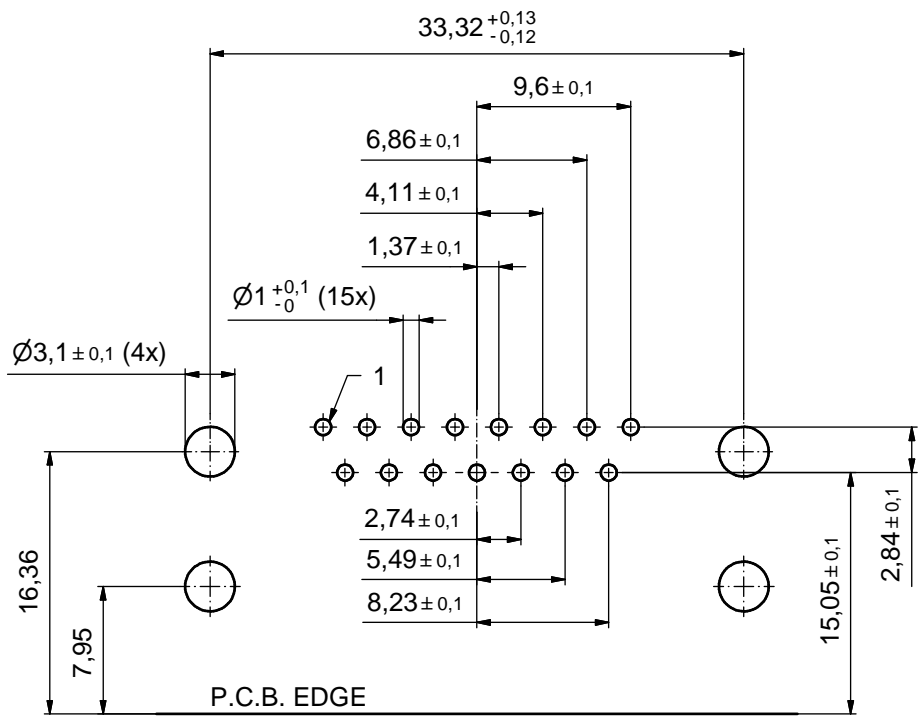


APPROVAL # FREIGABE # DEBLOCAGE # AUTORIZACION # APPROVAL	
CUSTOMER APPROVAL DATE:	
NAME:	TITLE:
COMPANY NAME:	
APPROVAL # FREIGABE # DEBLOCAGE # AUTORIZACION # APPROVAL	

THIS DRAWING MAY NOT BE COPIED OR REPRODUCED IN ANY WAY, AND MAY NOT BE PASSED ON TO A THIRD PARTY WITHOUT WRITTEN PERMISSION. OWNERSHIP AND COPYRIGHT OF CONEC GmbH			
DO NOT ALTER CAD DRAWING BY HAND			
rev.	description	date	name

tolerance	dim. in mm
date	name
drawn	26.11.10 Schmidt
appd.	26.11.10 Fischer
norm	
d-old	
CONEC	

scale:	2:1 (5:1)	
material:	see notes	
title:		
D-SUB MALE 90°		
15pos. SOLDER PIN ANGLED 0.590inch threaded insert, metal bracket, fixing plate		
dwg no:	Inventor 10	DIN-A3
	16K1A2712	sh: 1
part no:	163A19179X	



P.C.B. HOLE DRILLINGS
(P.C.B. TOP SIDE)

APPROVAL # FREIGABE # DEBLOCAGE # AUTORIZACION # APPROVAL	
CUSTOMER APPROVAL DATE:	
NAME:	TITLE:
COMPANY NAME:	
APPROVAL # FREIGABE # DEBLOCAGE # AUTORIZACION # APPROVAL	

THIS DRAWING MAY NOT BE COPIED OR REPRODUCED IN ANY WAY, AND MAY NOT BE PASSED ON TO A THIRD PARTY WITHOUT WRITTEN PERMISSION. OWNERSHIP AND COPYRIGHT OF CONEC GmbH				tolerance		dim. in mm
DO NOT ALTER CAD DRAWING BY HAND				date	name	
rev.	description	date	name	drawn	26.11.10	Schmidt
a	Origin			appd.	26.11.10	Fischer
				norm		
				d-old		
				CONEC ®		

scale: 3:1	
material: see sheet 1	
title: P.C.B. HOLE DRILLINGS 15pos. SOLDER PIN ANGLED 0.590inch threaded insert, metal bracket, fixing pate	
dwg no: Inventor 10	DIN-A3
16K1A2712	
sh: 2	
part no: 163A19179X	