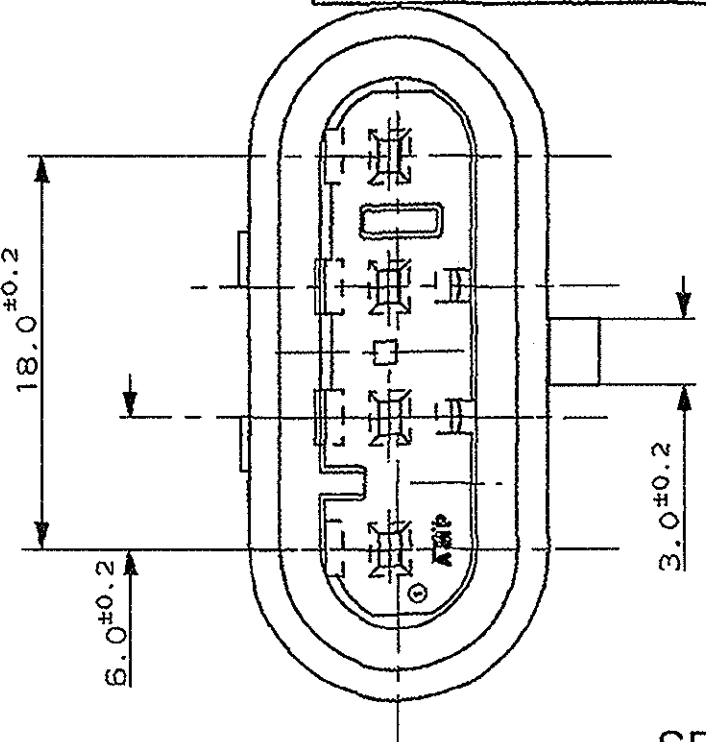
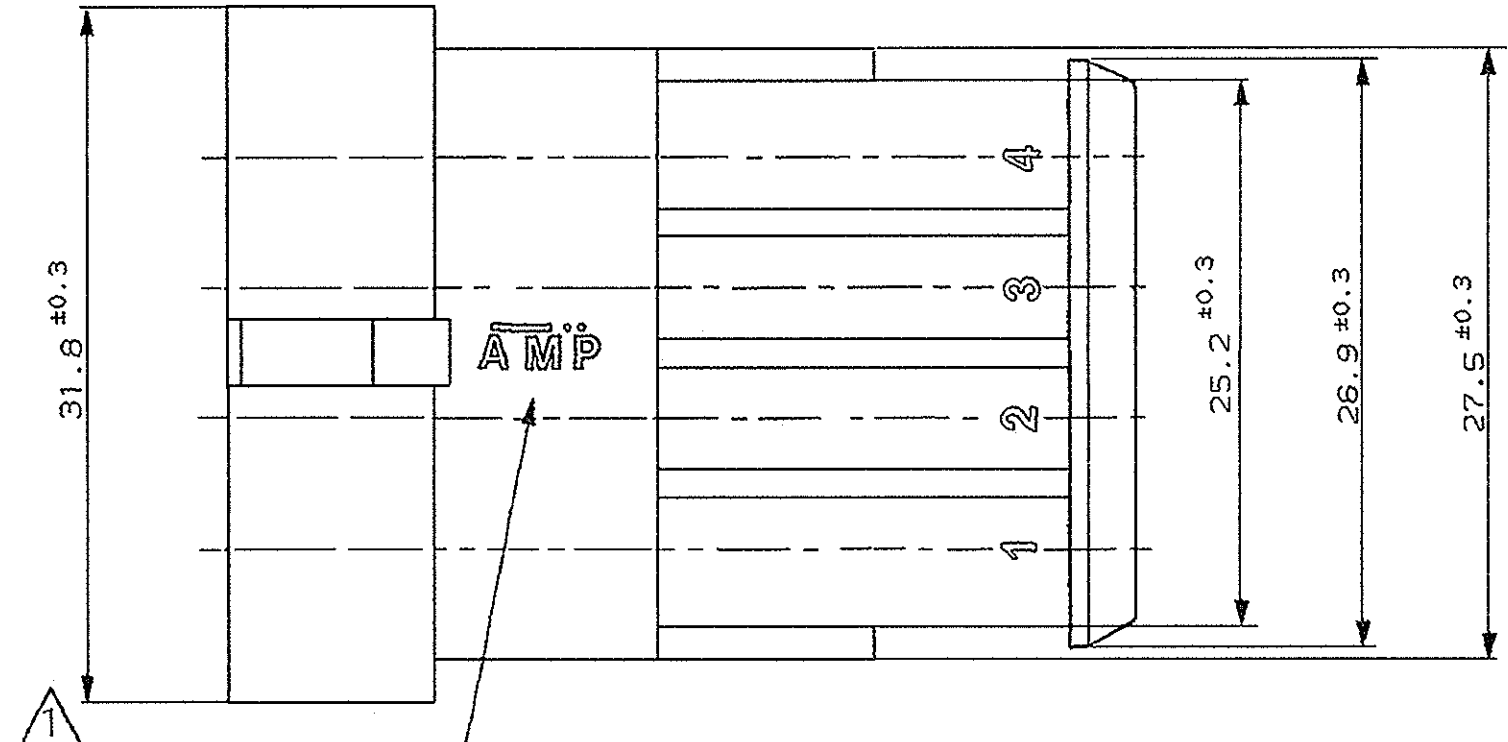


1 2 3 4 5 6 7 8

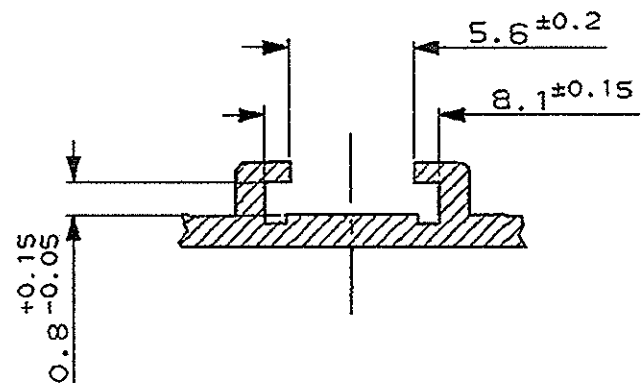
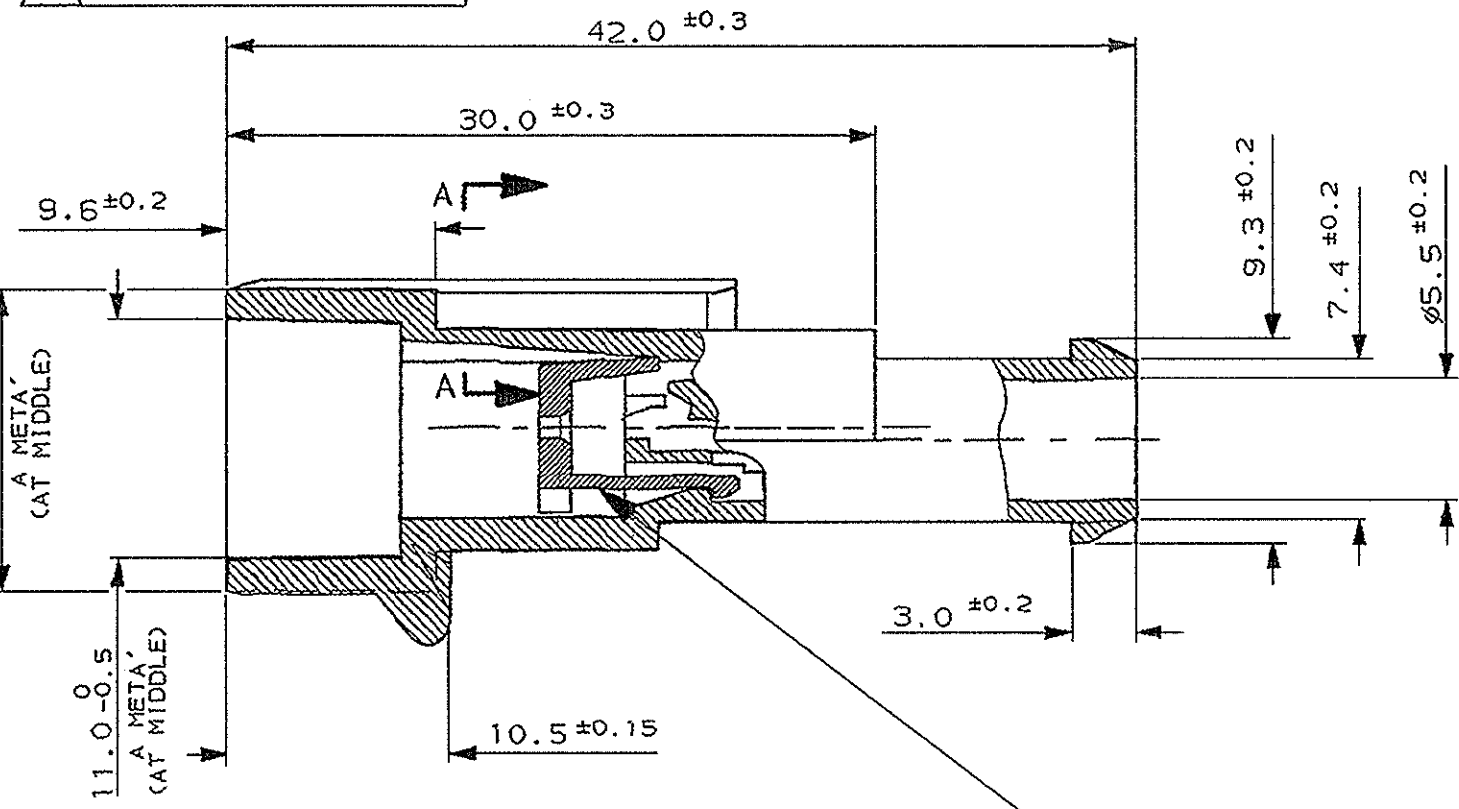
SCALA NON IMPEGNATIVA
(DO NOT SCALE)
DIMENSIONI IN
(DIMENSIONS IN) mm

METRIC

PROIEZIONE EUROPEA
(EUROPEAN PROJECTION)



SEZ. PARZ. A-A
(PART. SECT. A-A)



AGGANCIAMENTO SECONDARIO, COLORE ROSSO, PRE-ASSEMBLATO
(SECONDARY LOCK, RED COLOUR, IN PRE-ASSEMBLED POSITION)

LOGO "AMP" O, IN ALTERNATIVA, LOGO "TYCO"
("AMP" TRADE MARK OR, IN ALTERNATIVE, "TYCO" TRADE MARK)

| | | |
|--|-------------------------|-------------------------|
| GRIGIO (GREY) | PA 6.6 CAR. VETRO | 282106-2 |
| NERO (BLACK) | (PA 6.6 G.F.) | 282106-1 |
| FINITURA / COLORE (FINISH / COLOUR) | MATERIALE (MATERIAL) | NUMERO (PART NUMBER) |

CUSTOMER DWG. FOR REFERENCE ONLY DISEGNO PER CLIENTE SOLO PER RIFERIMENTO

~~THIS DRAWING IS UNPUBLISHED~~ RELEASE FOR PUBLICATION 19

| | | | |
|---|-------------------------------------|----------------------------|------------------|
| TOLLERANZE, SE NON DIVERSAMENTE SPECIFICATO (TOLERANCES, UNLESS OTHERWISE SPECIFIED) | DIAM. ISOLANTE (INS. DIA. RANGE) | RANGO FILO (WIRE RANGE) | SCALA (SCALE) |
| ANGOLI (ANGLES) ± 0.3 | - | - | - |
| ANGOLI (ANGLES) ± 2° | | | |



| | | | |
|-------------|------|-------------------------------------|-----------------|
| DIS. (DR.) | 2-90 | DESCRIZIONE (DESCRIPTION) | 4 POS TAB ASS'Y |
| CONT. (CHR) | 2-90 | AMP SUPERSEAL 1.5 SERIES CONNECTORS | |

| | | | | | | | | | | | | | | | | | |
|-------------|----|-----------------------------|--------------------------|----|---------|-------------|----------|-------------|------|--------------------|----------|------|----|---------------|---|----------|---|
| REV. (REV.) | B2 | REVISIONI (REVISION RECORD) | REVISO PER ECO-11-009901 | RK | 13MAY11 | APP. (APP.) | A. BRUNI | LOC. (LOC.) | I A3 | NUMERO (CONS. NO.) | C-282106 | REV. | B2 | FOLIO (SHEET) | 1 | DI (DIP) | 1 |
|-------------|----|-----------------------------|--------------------------|----|---------|-------------|----------|-------------|------|--------------------|----------|------|----|---------------|---|----------|---|

DISTRIBUZIONE (PRINT DIST.)