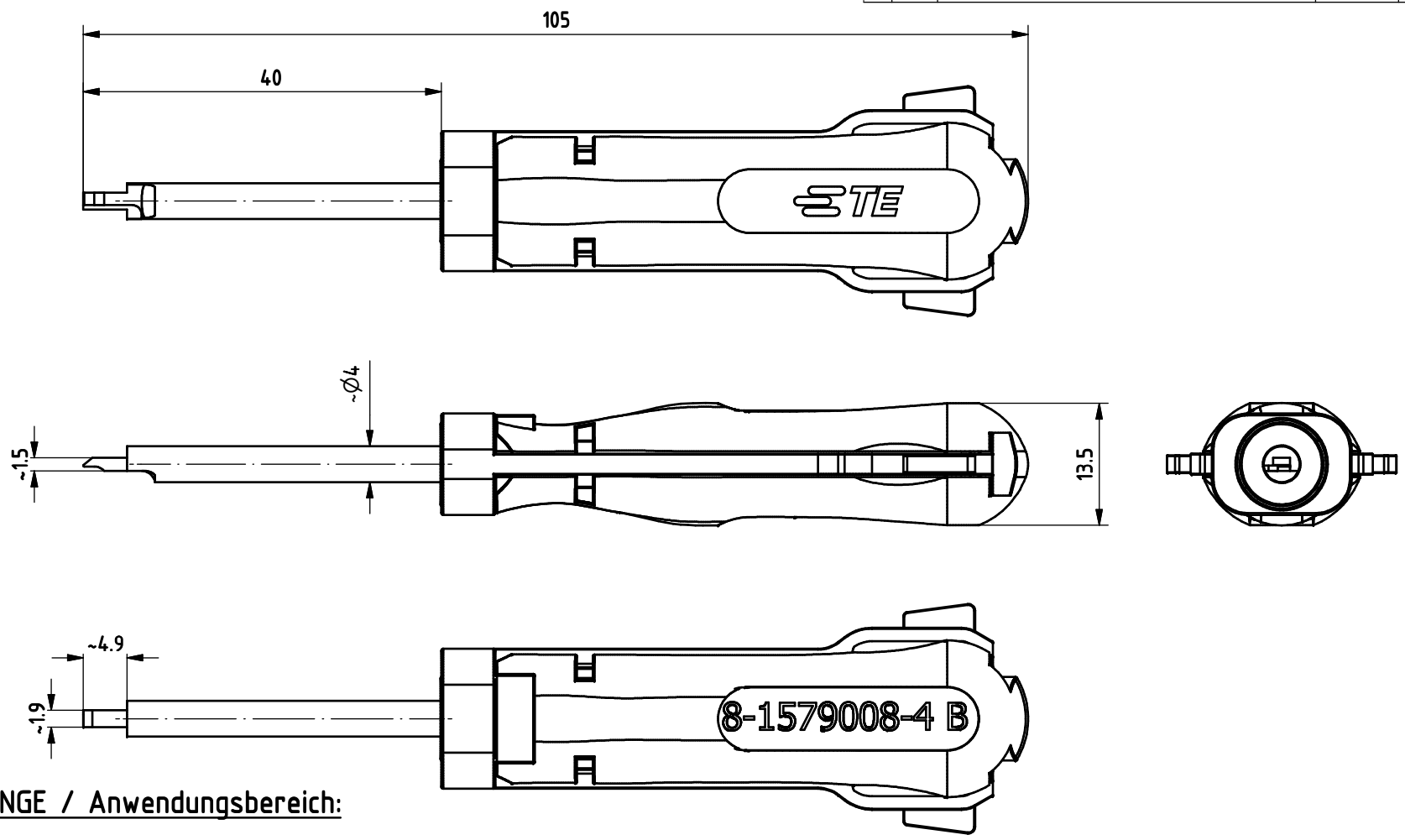


LOC AI	DIST 00	REVISIONS			DATE	DWN	APVD
P	LTR	DESCRIPTION	07FEB17	KH	BM		
	B1	ECR-17-001726					



APPLICATION RANGE / Anwendungsbereich:

CONTACT MCON 1.2: 1452501, 1534595,
 1535063, 1570145,
 1458504, 1418842,
 1418845, 1418848,
 1670147, 1418851,

HOUSING: 1703440

THIS DRAWING IS A CONTROLLED DOCUMENT.		DWN S. Samstag	05 JUN 2008	TE Connectivity															
		CHK G. Stegmayer	05 JUN 2008																
		APVD G. Stegmayer	05 JUN 2008	NAME EXTRACTION TOOL Entriegelungswerkzeug															
DIMENSIONS: mm		TOLERANCES UNLESS OTHERWISE SPECIFIED:		SIZE	CAGE CODE	DRAWING NO	RESTRICTED TO												
<table border="1"> <tr><td>0 PLC</td><td>±</td></tr> <tr><td>1 PLC</td><td>±</td></tr> <tr><td>2 PLC</td><td>±</td></tr> <tr><td>3 PLC</td><td>±</td></tr> <tr><td>4 PLC</td><td>±</td></tr> <tr><td>ANGLES</td><td>±</td></tr> </table>		0 PLC	±	1 PLC	±	2 PLC	±	3 PLC	±	4 PLC	±	ANGLES	±	APPLICATION SPEC 114-18464		A3	00779	8-1579008-4	
0 PLC	±																		
1 PLC	±																		
2 PLC	±																		
3 PLC	±																		
4 PLC	±																		
ANGLES	±																		
MATERIAL		FINISH		Gewicht / Weight in Kg 0.009 kg		SCALE 1:1	SHEET 1 OF 1												
CUSTOMER DRAWING				REV B1															