

# Customer Information Sheet

DRAWING No.: M80-5C1XX05M2

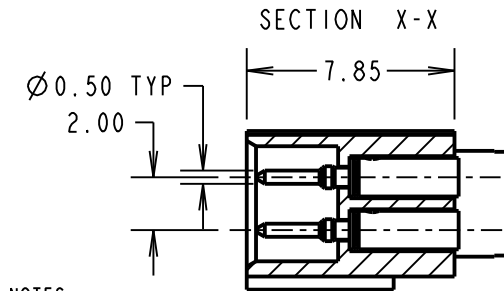
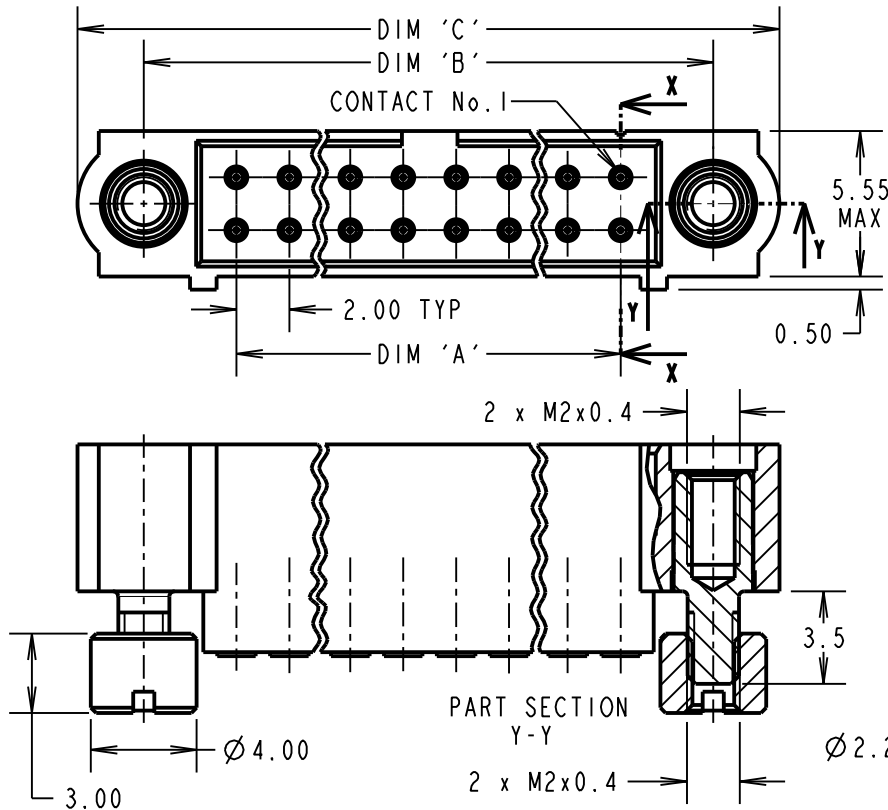
IF IN DOUBT - ASK

©

NOT TO SCALE

THIRD ANGLE PROJECTION

ALL DIMENSIONS IN mm



- NOTES:
- CONNECTORS ARE SUPPLIED WITH CONTACTS LOOSE.
  - FOR EXTRA CONTACTS, USE PART NUMBER M80-1950005.
  - RECOMMENDED WIRE TYPE = BS 3G 210 TYPE A, PTFE INSULATED 24-28 AWG. MAX INSULATION DIAMETER =  $\varnothing 1.10\text{mm}$ , STRIP WIRE BY 2.00mm.
  - RECOMMENDED HAND CRIMP TOOL = M22520/2-01 WITH POSITIONER Z80-193. REFER TO TOOLING INSTRUCTION SHEET IS-01 FOR COMPLETE CRIMPING INSTRUCTIONS. CONTACT INSERTION & EXTRACTION TOOL = Z80-280. REFER TO TOOLING INSTRUCTION SHEET IS-25 FOR ASSEMBLY INSTRUCTIONS.

**SPECIFICATIONS:**

**MATERIAL:**

MOULDING = GLASS-FILLED PPS, UL94V-0, BLACK  
CONTACT = BRASS  
JACKSCREW & BOARDMOUNT = STAINLESS STEEL  
FINISH

CONTACT = 0.25-0.3 $\mu$  GOLD

**ELECTRICAL:**

CURRENT RATING AT 25°C = 3.0A MAX  
CURRENT RATING AT 85°C = 2.2A MAX  
WORKING VOLTAGE = 800V AC/DC  
VOLTAGE PROOF = 1200V AC/DC  
CONTACT RESISTANCE = 25 m $\Omega$  MAX  
INSULATION RESISTANCE = 100 M $\Omega$  MIN

**MECHANICAL:**

DURABILITY = 500 OPERATIONS

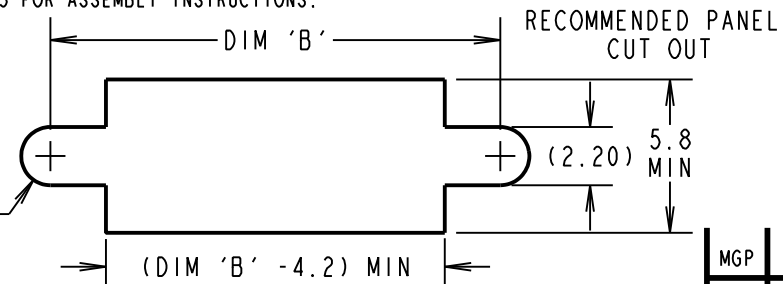
**ENVIRONMENTAL:**

TEMPERATURE RANGE = -55°C TO +125°C

**PACKING:**

BAG

FOR COMPLETE SPECIFICATION, SEE COMPONENT SPECIFICATION C005XX (LATEST ISSUE)

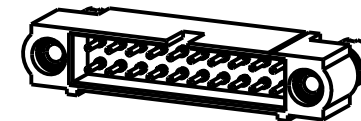


DIMENSION	CALCULATION
DIM 'A'	TOTAL No. OF CONTACTS - 2
DIM 'B'	TOTAL No. OF CONTACTS + 5
DIM 'C'	TOTAL No. OF CONTACTS + 10
EXAMPLE: CONNECTOR WITH 20 CONTACTS, ALL OVER GOLD M80-5C12005M2	
DIM 'A' = 18.00mm, DIM 'B' = 25.00mm, DIM 'C' = 30.00mm	

ORDER CODE:

**M80-5C1XX05M2**

TOTAL No. OF CONTACTS  
04 TO 50  
(EVEN NUMBERS ONLY)



MGP	I	11.09.12	11761
NAME	ISS.	DATE	C/NOTE
APPROVED: MGP			
CHECKED: SB			
DRAWN: MARK G PLESTED			
CUSTOMER REF.:			
ASSEMBLY DRG:			

**HARWIN**

www.harwin.com  
technical@harwin.com

THIS DRAWING AND ANY INFORMATION OR DESCRIPTIVE MATTER SET OUT HEREON ARE CONFIDENTIAL AND COPYRIGHT PROPERTY OF THE HARWIN GROUP AND MUST NOT BE DISCLOSED, LOANED, COPIED OR USED FOR MANUFACTURING, TENDERING OR FOR ANY OTHER PURPOSE WITHOUT THEIR WRITTEN PERMISSION.

**TOLERANCES**

X. =  $\pm 1\text{mm}$   
X.X =  $\pm 0.25\text{mm}$   
X.XX =  $\pm 0.10\text{mm}$   
X.XXX =  $\pm 0.01\text{mm}$   
ANGLES =  $\pm 5^\circ$   
UNLESS STATED

**MATERIAL:**

SEE ABOVE

**FINISH:**

SEE ABOVE

**S/AREA:**

mm<sup>2</sup>

**TITLE:**

DATAMATE J-TEK  
MALE CRIMP ASSY (SMALL BORE)  
WITH BOARDMOUNT JACKSCREW

**DRAWING NUMBER:**

**M80-5C1XX05M2**

**SHT**

2 OF 2