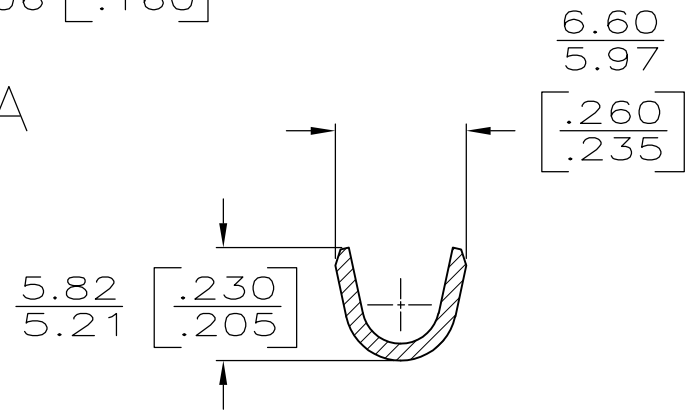
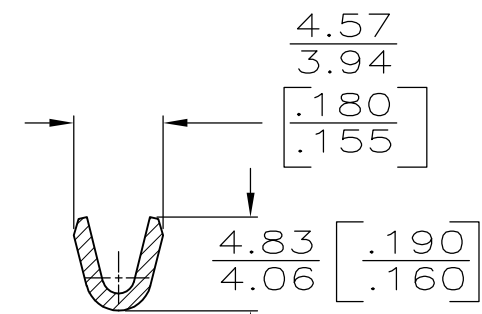
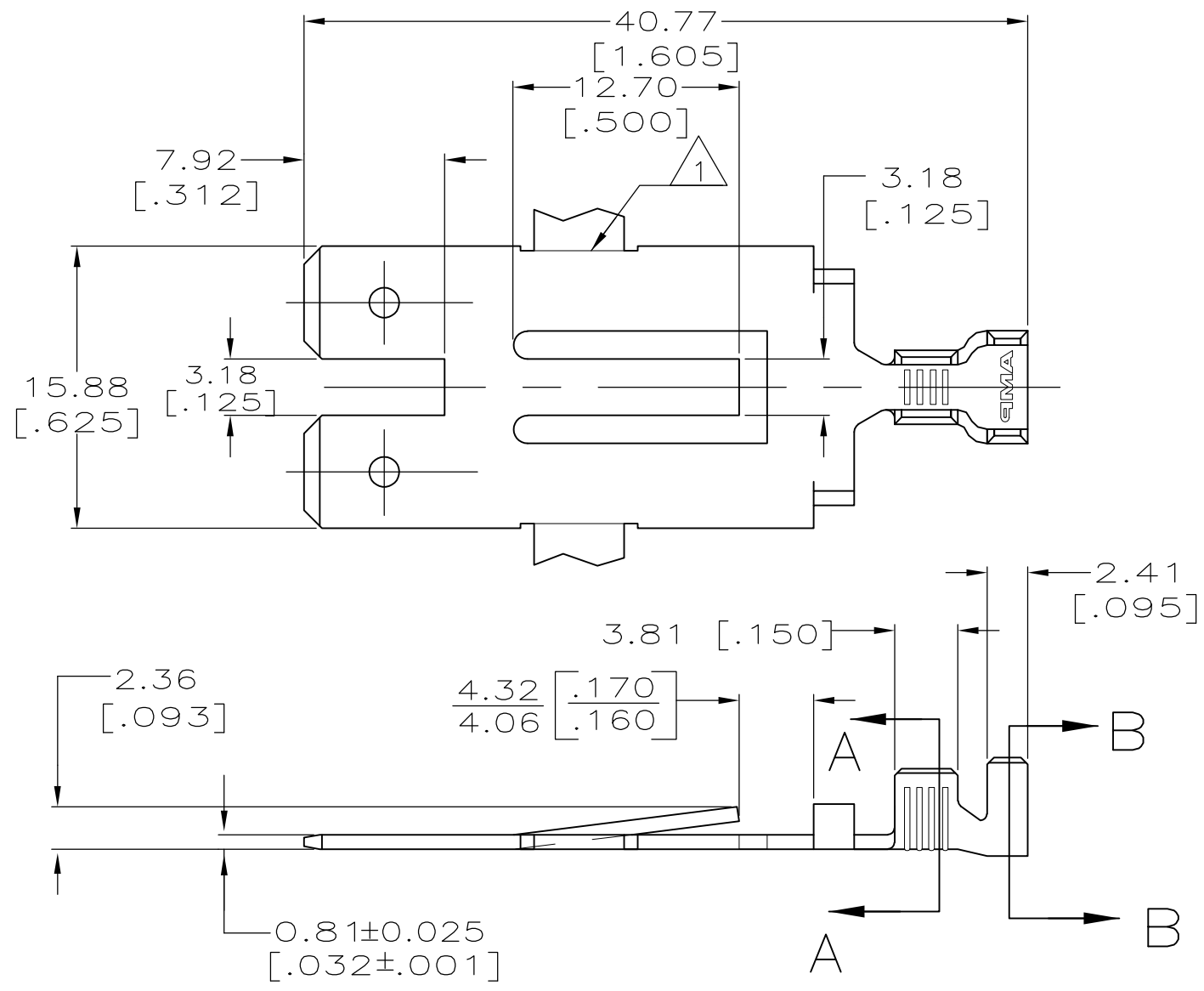


LOC	DIST	REVISIONS				
P	LTR	DESCRIPTION	DATE	DWN	APVD	
AF	50	K	REVISED PER ECR-11-018063	26DEC11	KH PD	

△ 1 CUT-OFF TAB TO BE FLUSH TO .005 BELOW EDGE OF TERMINAL.



3.05-4.32 DIA [.120-.170] DIA	#18-#14 AWG	61851-1
INSULATION RANGE	WIRE SIZE	PART NO.

THIS DRAWING IS A CONTROLLED DOCUMENT.		DWN JR RUTH 2/10/95	TE Connectivity	
DIMENSIONS: mm [INCHES]		CHK MS FEHER 2/10/95		
TOLERANCES UNLESS OTHERWISE SPECIFIED: 0 PLC ± - 1 PLC ± - 2 PLC ± 0.38 [.015] 3 PLC ± - 4 PLC ± - ANGLES ± -		APVD J GILLESPIE 2/10/95	NAME TAB, FASTIN-FASTON, 6.35 [.250] SERIES (SPECIAL DOUBLE TAB)	
MATERIAL 082 BRASS		FINISH TIN	PRODUCT SPEC -	SIZE A3
WEIGHT -		APPLICATION SPEC -	CAGE CODE 00779	DRAWING NO C-61851
CUSTOMER DRAWING			RESTRICTED TO -	SCALE 3:1
			SHEET 1 of 1	REV K