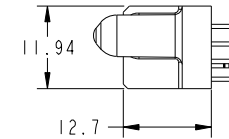
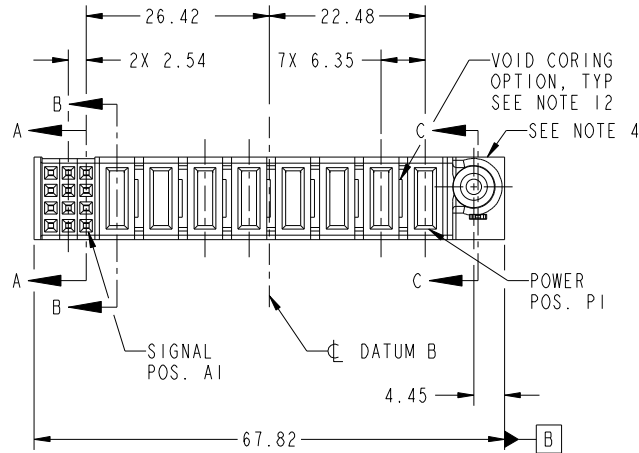


Tous droits strictement reserves. Reproduction ou communication a des tiers interdite sous quelque forme que ce soit sans autorisation écrite du propriétaire. Propriete de c FCI. Droits de reproduction FCI.



All rights strictly reserved. Reproduction or issue to third parties in any form whatever is not permitted without written authority from the proprietor. Property of FCI. Copyright FCI.

PRODUCT NO.	ROWS	POWER												E1					
		SIGNAL	P8	P7	P6	P5	P4	P3	P2	P1									
51940-336-- NOTE: 3	D C B A	E2	3	2	1														
			E	E	E	PD	PD	PD	PD	PD	PD	PD	PD	PD					
			E	E	E														
			E	E	E														



CODE	DIM "M" MATING LENGTH	CONTACT TYPE
E	[N/A]	SIGNAL
PD	[2.34]	POWER
HA	[N/A]	HOLD-DOWN

mat'l code				SEE NOTES		tolerances unless otherwise specified		CUSTOMER		FCI	
ltr	ecn no.	dr	date	linear		0.X ± 0.5	COPY		www.fciconnect.com		
A	DG10-0102	WD	03/16/10	angles		0.XX ± 0.25	projection		title		
						0.XXX ± 0.1	MIM		8P + 12S VERTICAL SOLDER RECEPT		
				dr	Warren Du	02/02/10	scale		product family		code
				enr	Warren Du	02/02/10	1:1		PwrBlade		213
				chr	PM ZHENG	02/02/10			size		sheet
				appd	Joseph Hsia	02/02/10			dwg no		1 of 4
sheet index	revision sheet	A	A	A	A				A		
		1	2	3	4				51940-336		

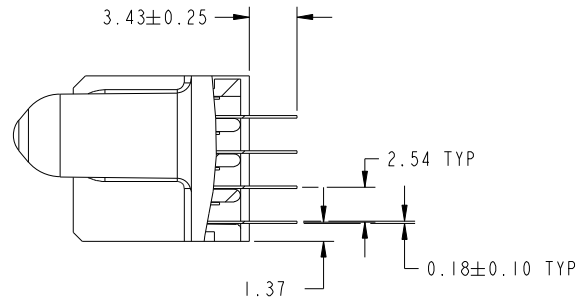
cage code 22526

Tous droits strictement reserves. Reproduction ou communication a des tiers interdite sous quelque forme que ce soit sans autorisation écrite du propriétaire. Propriete de c FCI. Droits de reproduction FCI.

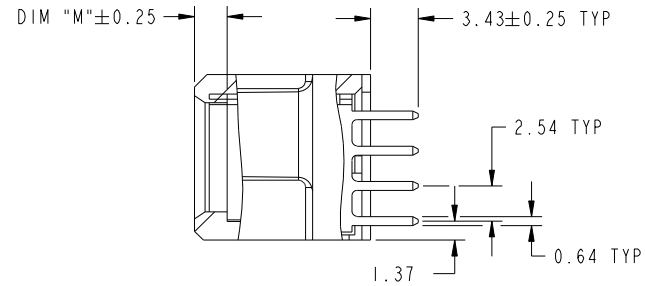
All rights strictly reserved. Reproduction or issue to third parties in any form whatever is not permitted without written authority from the proprietor. Property of FCI. Copyright FCI.



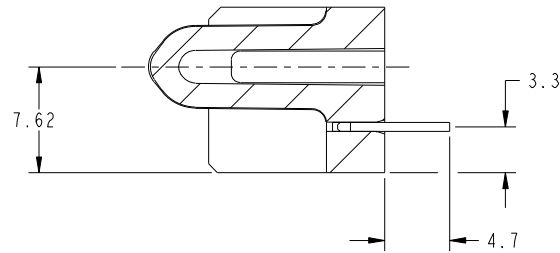
PRODUCT NUMBER
51940-336_
NOTE: 3



SECTION A-A
SCALE 2:1



SECTION B-B
SCALE 2:1



SECTION C-C
SCALE 2:1

mat'l code				tolerances unless otherwise specified		CUSTOMER			
ltr	ecn no.	dr	date	linear	0.X ± 0.5	COPY		www.fciconnect.com	
A					0.XX ± 0.25	projection		title	
				angles	0.XXX ± 0.1			8P + 12S VERTICAL SOLDER RECEPT	
				dr	0° ± 2°	MIM		product family PwrBlade code	
				enr	Warren Du 02/02/10	scale		size	
				chr	Warren Du 02/02/10	1:1		dwg no	
				appd	PM ZHENG 02/02/10			A 51940-336	
					Joseph Hsia 02/02/10			sheet	
sheet index		revision sheet						2 of 4	

cage code 22526

Pro/E

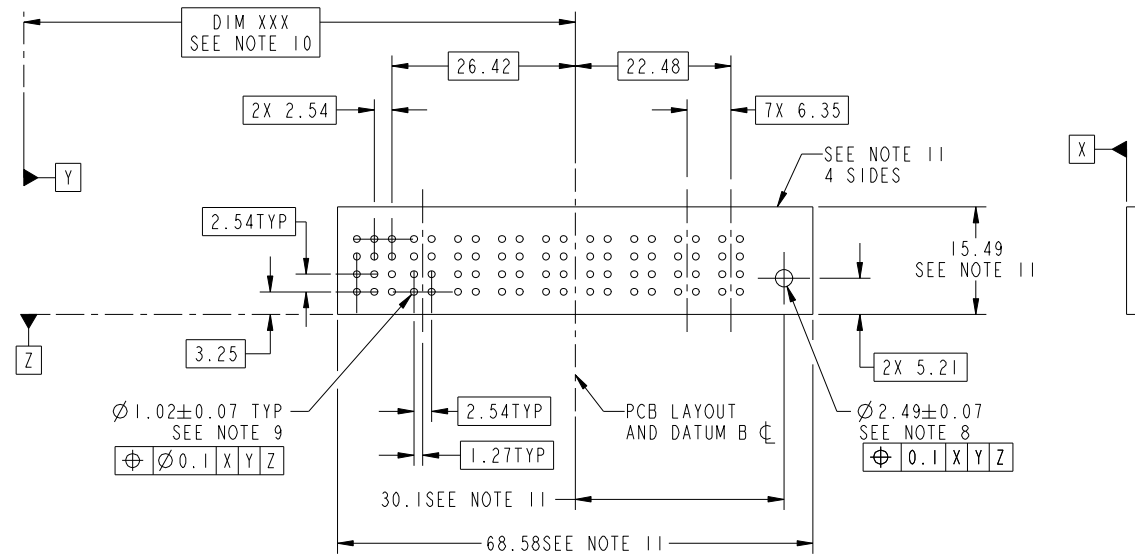
Tous droits strictement reserves. Reproduction ou communication a des tiers interdite sous quelque forme que ce soit sans autorisation écrite du propriétaire. Propriete de c FCI. Droits de reproduction FCI.

All rights strictly reserved. Reproduction or issue to third parties in any form whatever is not permitted without written authority from the proprietor. Property of FCI. Copyright FCI.



PRODUCT NUMBER
51940-336__
NOTE: 3

1 | 2 | 3 | 4



RECOMMENDED PCB LAYOUT

mat'l code				tolerances unless otherwise specified		CUSTOMER			
ltr	ecn no.	dr	date	linear	0.X ±0.5	COPY		www.fciconnect.com	
A				linear	0.XX ±0.25	projection	title		
				angles	0.XXX ±0.1		8P + 12S VERTICAL SOLDER RECEPT		
				dr	0° ±2°	MIM	product family	PwrBlade	code
				enr	Warren Du 02/02/10	scale	size	dwg no	213
				chr	Warren Du 02/02/10	1:1	A	51940-336	sheet
				appd	PM ZHENG 02/02/10				3 of 4
sheet index	revision sheet								

cage code 22526

Pro/E

1 | 2

3 |

4

Tous droits strictement reserves. Reproduction ou communication a des tiers interdite sous quelque forme que ce soit sans autorisation écrite du propriétaire. Propriete de c FCI. Droits de reproduction FCI.



All rights strictly reserved. Reproduction or issue to third parties in any form whatever is not permitted without written authority from the proprietor. Property of FCI. Copyright FCI.

PRODUCT NUMBER
51940-336_
NOTE: 3

NOTES:

1. DIMENSIONS AND TOLERANCES ARE IN ACCORDANCE WITH ASME Y14.5M, 1994 UNLESS OTHERWISE SPECIFIED.

CONNECTOR NOTES:

- 2 HOUSING MATERIAL: UL 94 V-0 GLASS FILLED HIGH-TEMP THERMOPLASTIC
POWER CONTACT MATERIAL: COPPER ALLOY
SIGNAL PIN MATERIAL: COPPER ALLOY
 - 3. SEE ITEM 5 & 6 IN PRINT 10064183 FOR PLATING SPEC OF 51940-336 AND 51940-336LF RESPECTIVELY.
 - 4 MANUFACTURER'S NAME, DATE CODE AND OPTIONAL P/N TO APPEAR ON THIS SURFACE. THE P/N CAN BE OMITTED IF THERE IS NOT ENOUGH SPACE ON THIS SURFACE.
 - 5. PRODUCT SPECIFICATION GS-12-149.
APPLICATION SPECIFICATION BUS-20-067.
 - 6. PACKAGED IN TRAYS.
- PCB NOTES:
- 7. ALL HOLE DIAMETERS ARE FINISHED HOLE SIZE.
 - 8 MOUNTING HOLES, WHERE APPLICABLE, ARE UNPLATED.
 - 9 $\varnothing 1.151 \pm 0.025$ DRILLED HOLES PLATED WITH
0.008 MIN SnPb OR Sn OVER 0.03
TO 0.08 Cu PLATING TO ACHIEVE
 $\varnothing 1.02 \pm 0.07$ HOLE.
 - 10 "DIM XXX" TO BE DETERMINED BY THE CUSTOMER.
 - 11 CONNECTOR KEEP-OUT ZONE.
 - 12. THE VOID CORING IN BETWEEN POWER MODULES, SIGNAL MODULES AND END MODULES ARE OPTIONAL AND THE SHAPE MAY BE DIFFERENT FOR OPTIMIZE THE MOLDING PROCESS. THE VOID CORING WILL NOT EFFECT TO PRODUCT FUNCTION.

mat'l code				tolerances unless otherwise specified		CUSTOMER		FCI	
ltr	ecr no.	dr	date	linear	0.X ± 0.5	COPY		www.fciconnect.com	
A				linear	0.XX ± 0.25	projection		title	
				angles	0.XXX ± 0.1			8P + 12S VERTICAL SOLDER RECEPT	
				dr	0° ± 2°	MIM		product family PwrBlade code	
				enrg	Warren Du 02/02/10			size 213	
				chr	Warren Du 02/02/10	scale		dwg no 4 of 4	
				appd	PM ZHENG 02/02/10	1:1		sheet 4 of 4	
					Joseph Hsia 02/02/10			A 51940-336	
sheet index	revision sheet								

cage code 22526