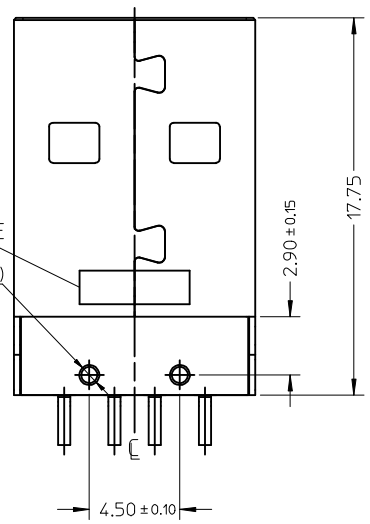
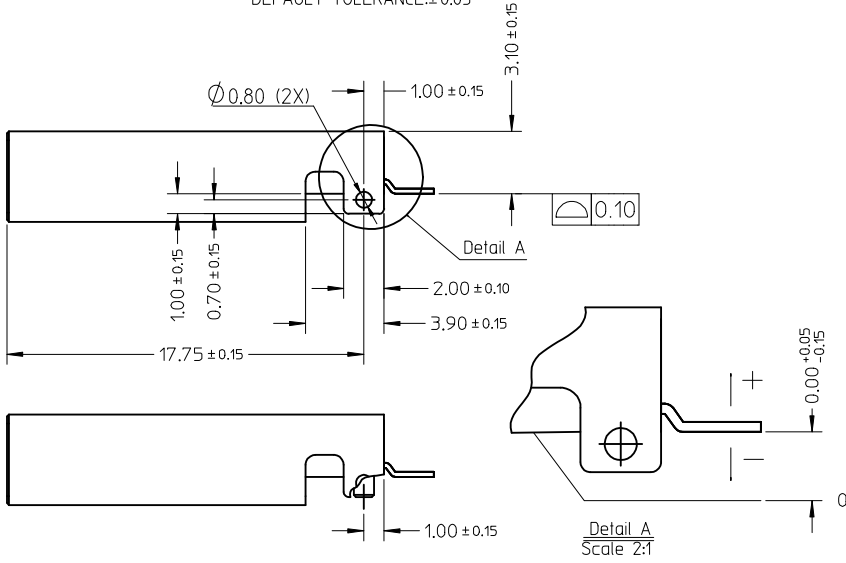
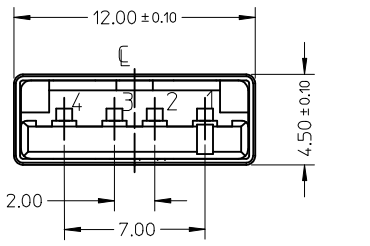
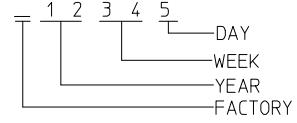


- NOTES:
- MATERIAL:
 - HOUSING: PA46, GLASS FIBER FILLED, UL94V-0, COLOR: BLACK.
 - TERMINAL: BRASS
 - METAL SHELL: COLD ROLL STEEL
 - FINISH:
 - TERMINAL:
 - GOLD(Au) IN CONTACT AREA
 - THICKNESS=30 MICROINCH MINIMUM.
 - TIN(Sn) ALLOY IN SOLDER TAIL AREA
 - THICKNESS=120 MICROINCH MINIMUM.
 - NICKEL(Ni) OVERALL
 - THICKNESS=50 MICROINCH MINIMUM.
 - METAL SHELL:
 - NICKEL(Ni) OVERALL
 - THICKNESS=50 MICROINCH MINIMUM.
 - UNDER PLATED: COPPER(Cu), OVERALL
 - THICKNESS=50 MICROINCH MINIMUM.
 - RECOMMENDED PCB THICKNESS: 1.0mm ± 0.05
 - PRODUCT SPECIFICATION REFERS TO PS-48037-001
 - PACKAGE SPECIFICATION REFERS TO PK-48037-210
 - TEST SUMMARY REFERS TO TS-48037-001
 - COPLANARITY TO BE 0.1mm MAX.
 - LEAD FREE AND RoHS COMPLIANCE.
 - DATE CODE:



CHANGE TOLERANCE EC NO: SH2009-0030 DRWN: GWANG08 2008/08/14 CHYK: DMZHANG02 2008/08/15 APPR: HWANG 2008/10/20	QUALITY SYMBOLS 	GENERAL TOLERANCES (UNLESS SPECIFIED)		DIMENSION STYLE MM ONLY	SCALE 1:1	DESIGN UNITS METRIC	THIRD ANGLE PROJECTION		
		4 PLACES ± --- ± --- 3 PLACES ± --- ± --- 2 PLACES ± 0.20 ± --- 1 PLACE ± 0.25 ± ---	DRAWN BY: JASON CHECKED BY: BKANG APPROVED BY: ALL IN	DATE: 05/21/2007 DATE: 05/21/2007 DATE: 05/21/2007	TITLE USB A TYPE PLUG R/A SMT CONNECTOR	MOLEX INCORPORATED			
		ANGULAR ± 3 °	MATERIAL NO. 48037-2001	DOCUMENT NO. SD-48037-005	SHEET NO. 1 OF 1	THIS DRAWING CONTAINS INFORMATION THAT IS PROPRIETARY TO MOLEX INCORPORATED AND SHOULD NOT BE USED WITHOUT WRITTEN PERMISSION			
		DRAFT WHERE APPLICABLE MUST REMAIN WITHIN DIMENSIONS	SIZE A3						