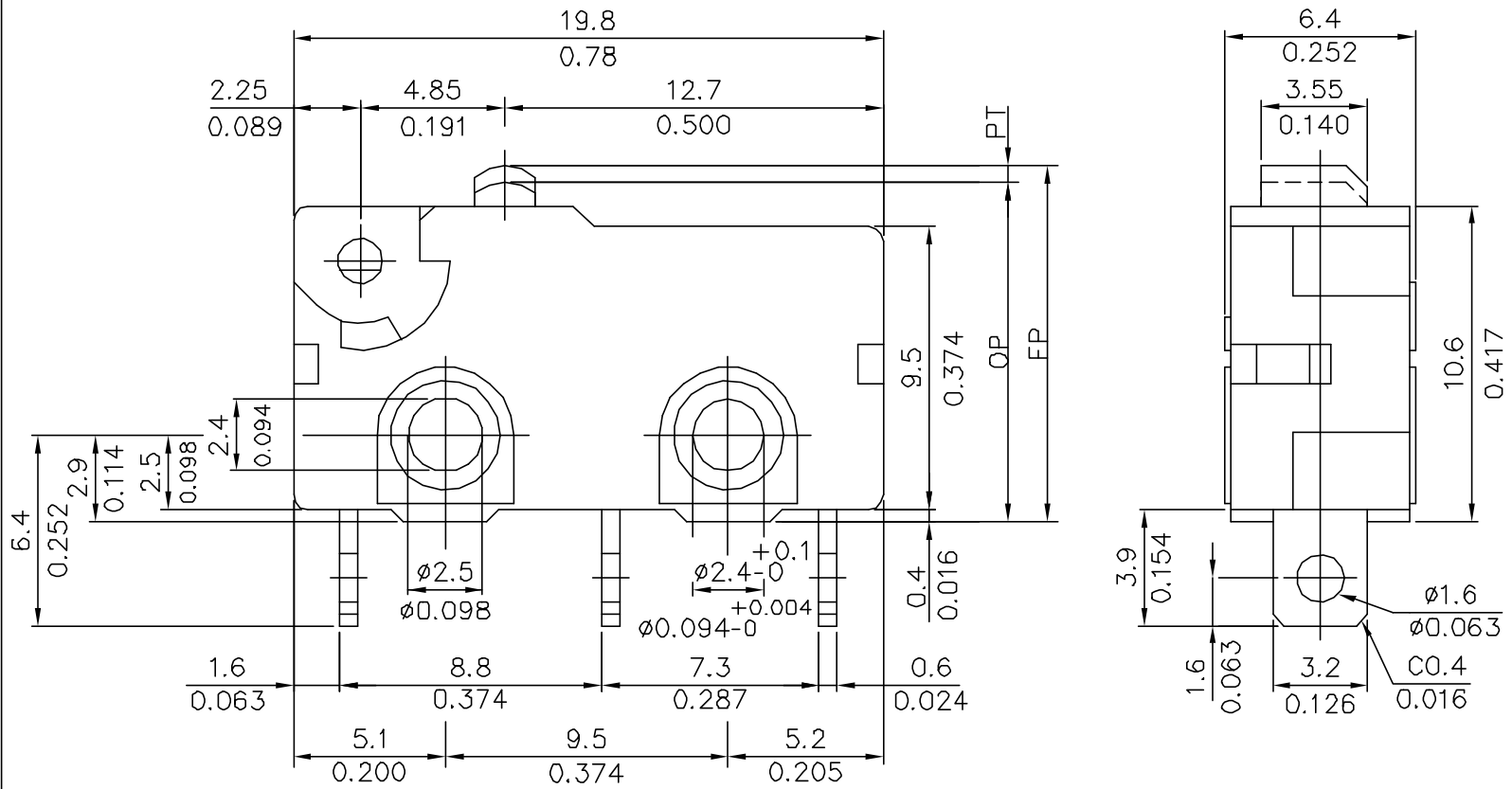


# ZV50E10A01



Tolerance  $\pm 0.4\text{mm}$   
 $\pm 0.016\text{inch}$

	Jun 17, 2002			ADD INCH UNITS						
REV	DATE	APPROVAL	DESIGN	ENGINEERING CHANGE DESCRIPTION	VIEW		SIZE	A4	UNIT	mm / inch
					DATE	Jun 17, 2002	VER.	2	FILE NAME	
					APPROVAL		CONFIRM		DESIGN	