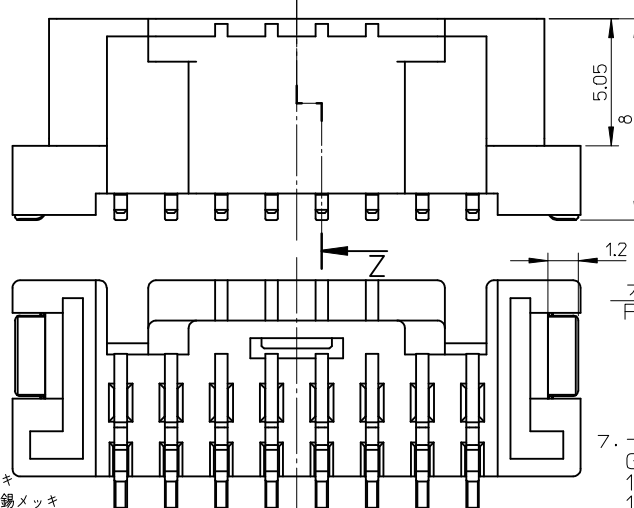
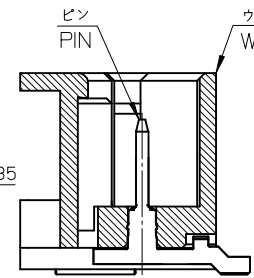


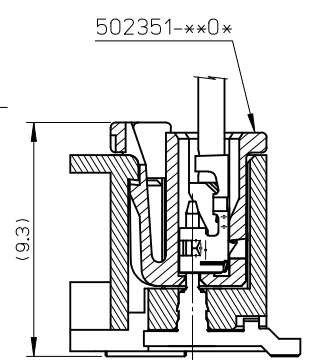
参考基板レイアウト (N=極数)
PCB PATTERN LAYOUT (N:CIRCUIT)



7. 一般公差
GENERAL TOLERANCES
10 UNDER:0.2
10 OVER 30 UNDER:0.25
30 OVER:0.3
ANGULAR ± 1°



SECTION Z-Z

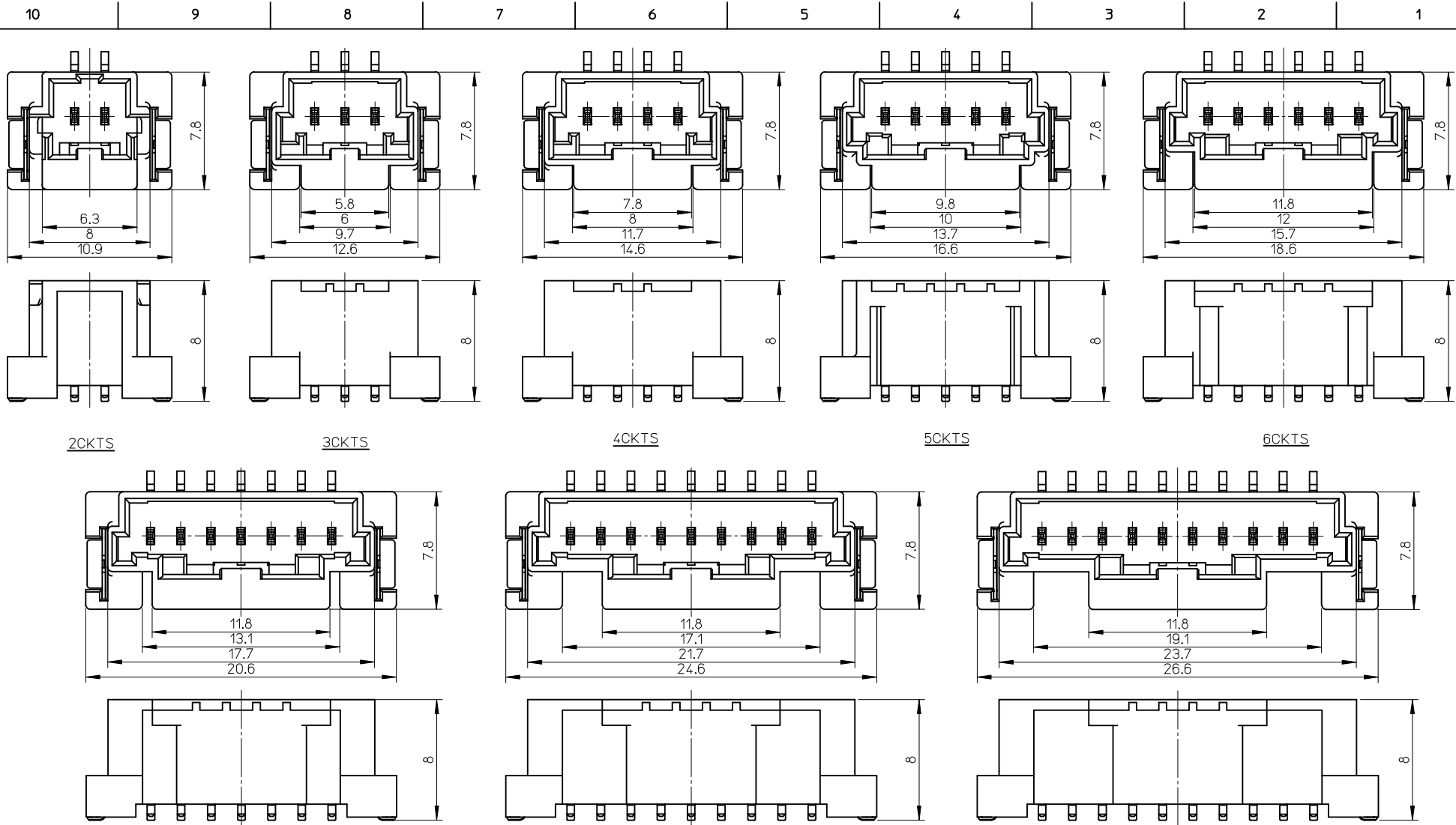


嵌合図
MATED DRAWING

注記
NOTES

- 材質
ウエハー: 耐熱性ナイロン UL94V-0
ピン: 銅合金、ニッケル下地、錫メッキ、金メッキ
フィッティングネール: 銅合金、ニッケル下地、錫メッキ
MATERIAL
WAFER: POLYAMIDE UL94V-0
PIN: COPPER ALLOY, GOLD OR TIN OVER NICKEL PLATE.
FITTING NAIL: COPPER ALLOY, TIN OVER NICKEL PLATE.
- 色: ナチュラル、黒、赤、青
COLOR: NATURAL, BLACK, RED, BLUE
- 嵌合相手:
ハウジング: 502351-xx0*
錫メッキ端子: 50212-8*00, 50372-8*00, 560085-0101
金メッキ端子: 56161-8*81
MATES WITH
HOUSING: 502351-xx0*
SN PLATING TERMINAL: 50212-8*00, 50372-8*00, 560085-0101
AU PLATING TERMINAL: 56161-8*81
- エンボス梱包品の詳細はSD-560020-002参照
DETAILED TAPING PACKAGE, SEE SD-560020-002
- ELV及びRoHS適合
ELV AND ROHS COMPLIANT
- 半田付け面のコプラナリティ: 0.1mm MAX.
CO-PLANARITY OF SOLDER TAILS TO BE 0.1mm MAX.

REVISED EC NO: JTR2016-0015 G DRW: KIKUNAGA I02 2016/03/01 CHKD: HKOMATSU 2016/03/04 APPR: MAYAMOTO 2016/03/08	QUALITY SYMBOLS F=0 G=0 P=0	GENERAL TOLERANCES (UNLESS SPECIFIED)		DIMENSION STYLE MM ONLY	SCALE 5:1	DESIGN UNITS METRIC	THIRD ANGLE PROJECTION						
		4 PLACES ± --- ± ---	3 PLACES ± --- ± ---	2 PLACES ± --- ± ---	1 PLACE ± --- ± ---	0 PLACE ± --- ± ---	ANGULAR ± °	DRAFT WHERE APPLICABLE MUST REMAIN WITHIN DIMENSIONS	DRAWN BY SHSHIBATA	DATE 2009/02/18	TITLE 2.0MM PITCH W/B CONN. WAFER ASSY ST. SMT		
		CHECKED BY HKOMATSU		DATE 2009/02/18		APPROVED BY AKANESHIGE		DATE 2009/02/18		MATERIAL NO.		DOCUMENT NO. SD-560020-001	SHEET NO. 1 OF 4
		SIZE A3		THIS DRAWING CONTAINS INFORMATION THAT IS PROPRIETARY TO MOLEX INCORPORATED AND SHOULD NOT BE USED WITHOUT WRITTEN PERMISSION		SEE CHART		moLEX					



2CKTS

3CKTS

4CKTS

5CKTS

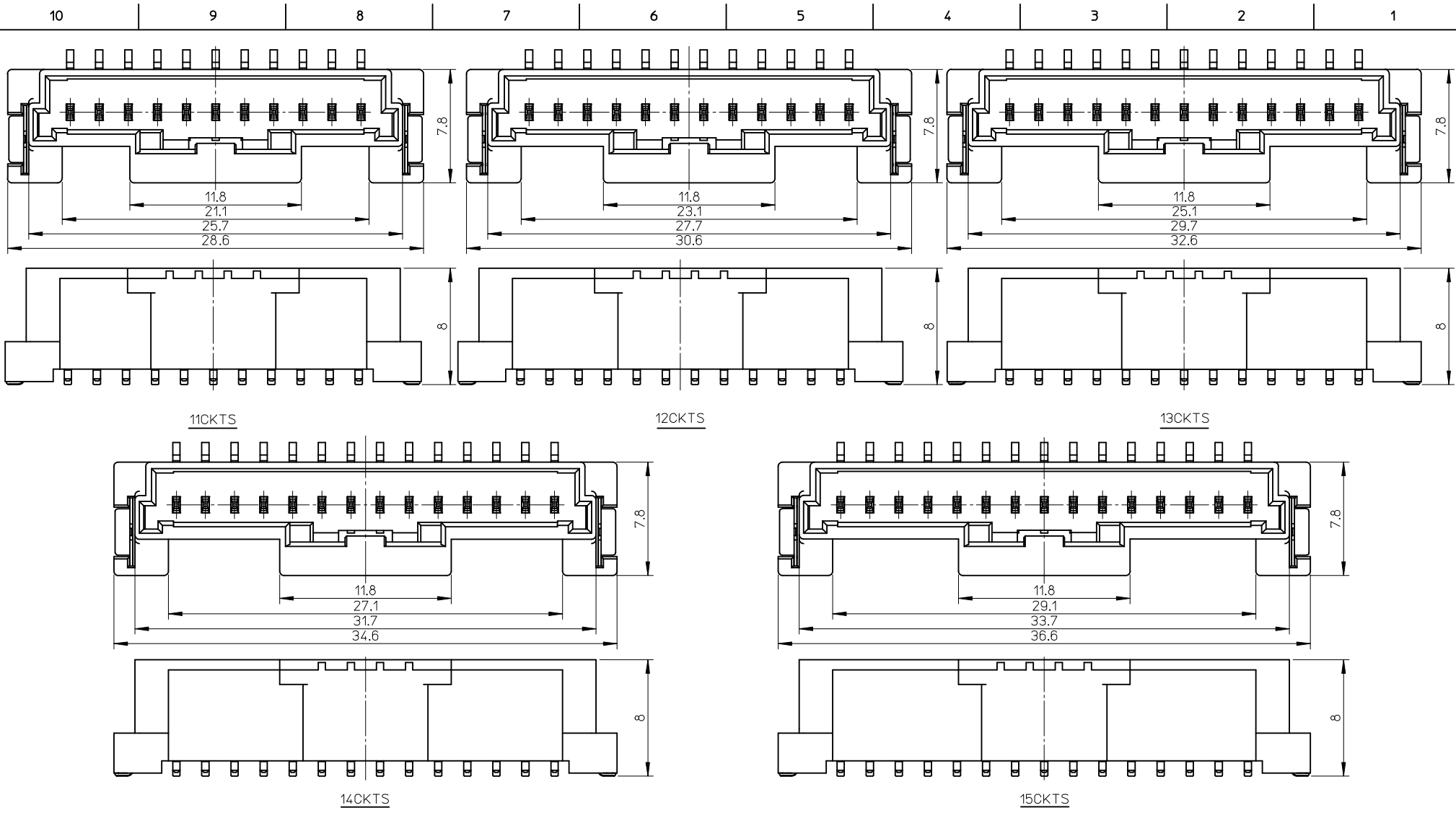
6CKTS

7CKTS

9CKTS

10CKTS

REVISED EC NO: JTR2016-0015 G DRW:KINAGAI02 2016/03/01 CHKD:HKOMATSU 2016/03/04 APPR:KAYAMAMOTO 2016/03/08	QUALITY SYMBOLS $\nabla = 0$ $\nabla = 0$ $\nabla = 0$	GENERAL TOLERANCES (UNLESS SPECIFIED)		DIMENSION STYLE MM ONLY	SCALE 4:1	DESIGN UNITS METRIC	THIRD ANGLE PROJECTION		
		4 PLACES \pm --- \pm --- 3 PLACES \pm --- \pm --- 2 PLACES \pm --- \pm --- 1 PLACE \pm --- \pm --- 0 PLACE \pm --- \pm ---	mm INCH	DRAWN BY SHSHIBATA	DATE 2009/02/18	TITLE 2.0MM PITCH W/B CONN. WAFER ASSY ST. SMT			
		ANGULAR \pm - °		CHECKED BY HKOMATSU	DATE 2009/02/18	molex			
		DRAFT WHERE APPLICABLE MUST REMAIN WITHIN DIMENSIONS		APPROVED BY AKANESHIGE	DATE 2009/02/18	MATERIAL NO.	DOCUMENT NO. SD-560020-001	SHEET NO. 2 OF 4	
SEE CHART		THIS DRAWING CONTAINS INFORMATION THAT IS PROPRIETARY TO MOLEX INCORPORATED AND SHOULD NOT BE USED WITHOUT WRITTEN PERMISSION							



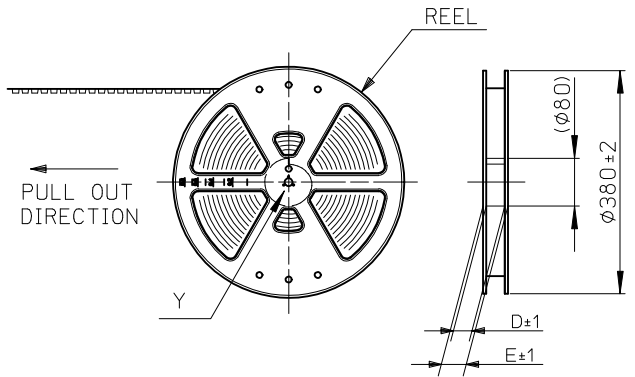
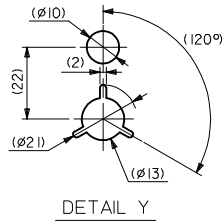
REVISED EC NO: JTR2016-0015 G DRW:KNAGA I02 2016/03/01 CHKD:HKOMATSU 2016/03/04 APPR:MIYAMOTO 2016/03/08	QUALITY SYMBOLS $\nabla \text{F} = 0$ $\nabla \text{G} = 0$ $\nabla \text{P} = 0$	GENERAL TOLERANCES (UNLESS SPECIFIED)		DIMENSION STYLE MM ONLY	SCALE 4:1	DESIGN UNITS METRIC	THIRD ANGLE PROJECTION																													
		<table border="1"> <thead> <tr> <th></th> <th>mm</th> <th>INCH</th> </tr> </thead> <tbody> <tr> <td>4 PLACES</td> <td>± ---</td> <td>± ---</td> </tr> <tr> <td>3 PLACES</td> <td>± ---</td> <td>± ---</td> </tr> <tr> <td>2 PLACES</td> <td>± ---</td> <td>± ---</td> </tr> <tr> <td>1 PLACE</td> <td>± ---</td> <td>± ---</td> </tr> <tr> <td>0 PLACE</td> <td>± ---</td> <td>± ---</td> </tr> </tbody> </table>		mm	INCH	4 PLACES	± ---	± ---	3 PLACES	± ---	± ---	2 PLACES	± ---	± ---	1 PLACE	± ---	± ---	0 PLACE	± ---	± ---	<table border="1"> <thead> <tr> <th>DRAWN BY</th> <th>DATE</th> <th>TITLE</th> </tr> </thead> <tbody> <tr> <td>SHSHIBATA</td> <td>2009/02/18</td> <td rowspan="4"> 2.0MM PITCH W/B CONN. WAFER ASSY ST. SMT molex </td> </tr> <tr> <td>CHECKED BY</td> <td>DATE</td> </tr> <tr> <td>APPROVED BY</td> <td>DATE</td> </tr> <tr> <td>AKANESHIGE</td> <td>2009/02/18</td> </tr> </tbody> </table>	DRAWN BY	DATE	TITLE	SHSHIBATA	2009/02/18	2.0MM PITCH W/B CONN. WAFER ASSY ST. SMT molex	CHECKED BY	DATE	APPROVED BY	DATE	AKANESHIGE	2009/02/18	MATERIAL NO.	DOCUMENT NO.	SHEET NO.
			mm	INCH																																
		4 PLACES	± ---	± ---																																
3 PLACES	± ---	± ---																																		
2 PLACES	± ---	± ---																																		
1 PLACE	± ---	± ---																																		
0 PLACE	± ---	± ---																																		
DRAWN BY	DATE	TITLE																																		
SHSHIBATA	2009/02/18	2.0MM PITCH W/B CONN. WAFER ASSY ST. SMT molex																																		
CHECKED BY	DATE																																			
APPROVED BY	DATE																																			
AKANESHIGE	2009/02/18																																			
DRAFT WHERE APPLICABLE MUST REMAIN WITHIN DIMENSIONS	ANGULAR ± - °	SEE CHART	SD-560020-001	3 OF 4																																
THIS DRAWING CONTAINS INFORMATION THAT IS PROPRIETARY TO MOLEX INCORPORATED AND SHOULD NOT BE USED WITHOUT WRITTEN PERMISSION	SIZE A3																																			

	10	9	8	7	6	5	4	3	2	1				
F	Sn NATURAL	11.8	29.1	33.7	36.6	560020-1520	15	Au NATURAL	11.8	29.1	33.7	36.6	560020-1530	15
		11.8	27.1	31.7	34.6	560020-1420	14		11.8	27.1	31.7	34.6	560020-1430	14
		11.8	25.1	29.7	32.6	560020-1320	13		11.8	25.1	29.7	32.6	560020-1330	13
		11.8	23.1	27.7	30.6	560020-1220	12		11.8	23.1	27.7	30.6	560020-1230	12
		11.8	21.1	25.7	28.6	560020-1120	11		11.8	21.1	25.7	28.6	560020-1130	11
		11.8	19.1	23.7	26.6	560020-1020	10		11.8	19.1	23.7	26.6	560020-1030	10
		11.8	17.1	21.7	24.6	560020-0920	9		11.8	17.1	21.7	24.6	560020-0930	9
		11.8	15.1	19.7	22.6	560020-0800/-0820	8		11.8	15.1	19.7	22.6	560020-0830	8
		11.8	13.1	17.7	20.6	560020-0700/-0720	7		11.8	13.1	17.7	20.6	560020-0730	7
		11.8	12	15.7	18.6	560020-0600/-0620	6		11.8	12	15.7	18.6	560020-0630	6
		9.8	10	13.7	16.6	560020-0500/-0520	5		9.8	10	13.7	16.6	560020-0530	5
		7.8	8	11.7	14.6	560020-0400/-0420	4		7.8	8	11.7	14.6	560020-0430	4
5.8	6	9.7	12.6	560020-0300/-0320	3	5.8	6	9.7	12.6	560020-0330	3			
6.3	/	8.0	10.9	560020-0200/-0220	2	6.3	/	8.0	10.9	560020-0230	2			
PLATING	D	C	B	A	EMBOSSED PACKAGE ORDER NO.	CKTS	PLATING	D	C	B	A	EMBOSSED PACKAGE ORDER NO.	CKTS	
CONNECTOR SERIES NO. 560020-**08							CONNECTOR SERIES NO. 560020-**18							

D	Sn BLACK	/	/	/	/	/	15	Sn RED	/	/	/	/	/	/	15	Sn BLUE	/	/	/	/	/	/	/	/	/	15		
		/	/	/	/	/	14		/	/	/	/	/	/	/		14	/	/	/	/	/	/	/	/	14		
		/	/	/	/	/	13		/	/	/	/	/	/	/		13	/	/	/	/	/	/	/	/	/	13	
		/	/	/	/	/	12		/	/	/	/	/	/	/		12	/	/	/	/	/	/	/	/	/	12	
		/	/	/	/	/	11		/	/	/	/	/	/	/		11	/	/	/	/	/	/	/	/	/	/	11
		/	/	/	/	/	10		/	/	/	/	/	/	/		10	/	/	/	/	/	/	/	/	/	/	10
		11.8	15.1	19.7	22.6	560020-0821	8		11.8	15.1	19.7	22.6	560020-0822	8	11.8		15.1	19.7	22.6	560020-0823	8							
		/	/	/	/	/	7		/	/	/	/	/	/	/		/	7	/	/	/	/	/	/	/	/	/	7
		11.8	12	15.7	18.6	560020-0621	6		11.8	12	15.7	18.6	560020-0622	6	11.8		12	15.7	18.6	560020-0623	6							
		/	/	/	/	/	5		/	/	/	/	/	/	/		/	5	/	/	/	/	/	/	/	/	/	5
		7.8	8	11.7	14.6	560020-0421	4		7.8	8	11.7	14.6	560020-0422	4	7.8		8	11.7	14.6	560020-0423	4							
		5.8	6	9.7	12.6	560020-0321	3		5.8	6	9.7	12.6	560020-0322	3	5.8		6	9.7	12.6	560020-0323	3							
6.3	/	8.0	10.9	560020-0221	2	6.3	/	8.0	10.9	560020-0222	2	6.3	/	8.0	10.9	560020-0223	2											
PLATING	D	C	B	A	EMBOSSED PACKAGE ORDER NO.	CKTS	PLATING	D	C	B	A	EMBOSSED PACKAGE ORDER NO.	CKTS	PLATING	D	C	B	A	EMBOSSED PACKAGE ORDER NO.	CKTS								
CONNECTOR SERIES NO. 560020-**28							CONNECTOR SERIES NO. 560020-**48							CONNECTOR SERIES NO. 560020-**68														

REVISED	EC NO: JTR2016-0015	QUALITY SYMBOLS	GENERAL TOLERANCES (UNLESS SPECIFIED)	DIMENSION STYLE MM ONLY	SCALE 5:1	DESIGN UNITS METRIC	THIRD ANGLE PROJECTION	DRAWN BY SHSHIBATA	DATE 2009/02/18	TITLE 2.0MM PITCH W/B CONN. WAFER ASSY ST. SMT				
	DRINKNAGA 02										2016/03/01	4 PLACES	± ---	± ---
	CHKD-HKOMATSU										2016/03/04	3 PLACES	± ---	± ---
	APPR: MAYAMOTO										2016/03/08	2 PLACES	± ---	± ---
								APPROVED BY AKANESHIGE	DATE 2009/02/18	DOCUMENT NO. SD-560020-001				
								MATERIAL NO.			SHEET NO. 4 OF 4			
								SEE CHART						
								THIS DRAWING CONTAINS INFORMATION THAT IS PROPRIETARY TO MOLEX INCORPORATED AND SHOULD NOT BE USED WITHOUT WRITTEN PERMISSION						

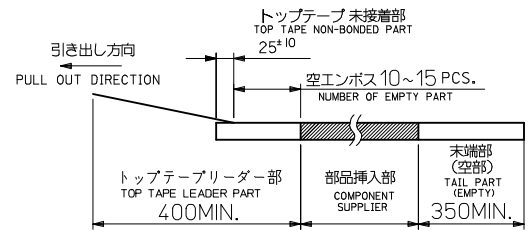
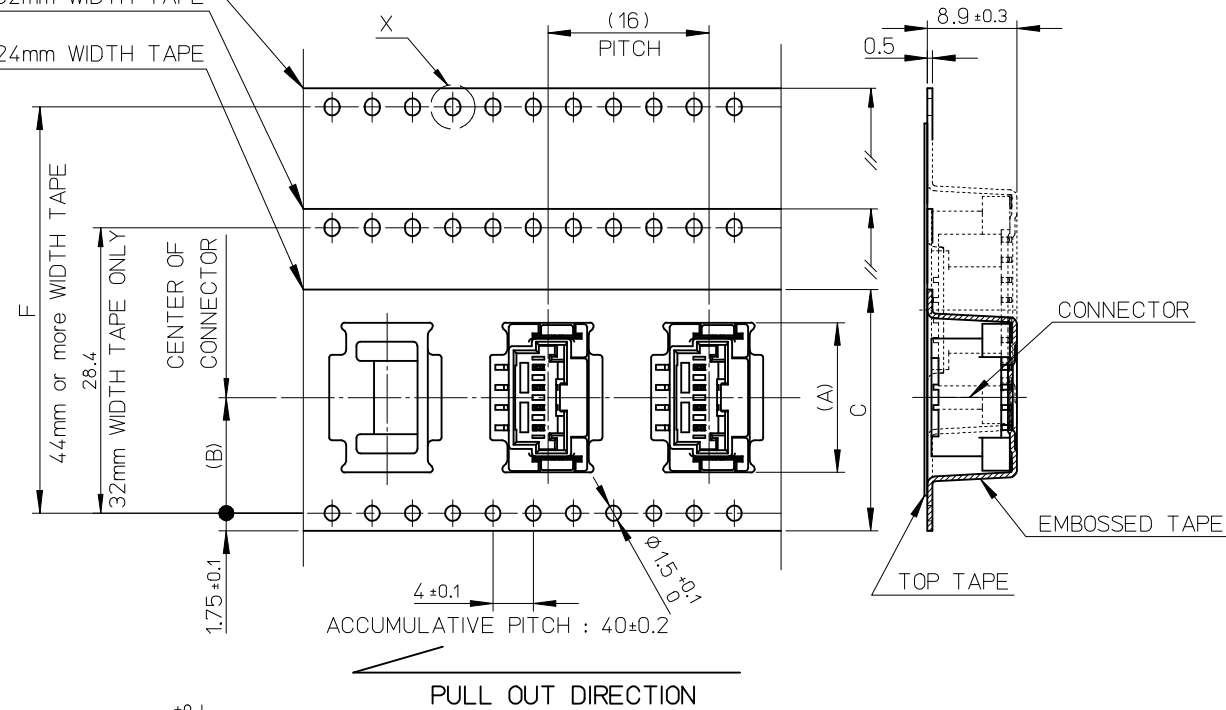
10 9 8 7 6 5 4 3 2 1



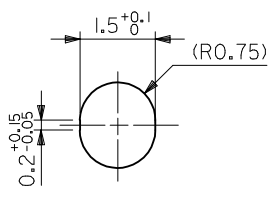
NOTES

- 製品番号:
 ナチュラル・錫めっき 560020-**20
 ナチュラル・金めっき 560020-**30
 黒・錫めっき 560020-**21
 赤・錫めっき 560020-**22
 青・錫めっき 560020-**23
 詳細寸法については、製品単体図面を参照ください。
 PART NO.
 NATURAL・Sn Plating 5600020-**20
 NATURAL・Au Plating 560020-**30
 BLACK・Sn Plating 5600020-**21
 RED・Sn Plating 5600020-**22
 BLUE・Sn Plating 5600020-**23
 SEE SALES DRAWING FOR CONNECTOR
- 梱包数量: 650個/REEL
 NUMBER OF CONNECTORS 650 PCS/REEL
- リードテープ長さ
 LEAD TAPE LENGTH

44mm or more
WIDTH TAPE
32mm WIDTH TAPE
24mm WIDTH TAPE



- 材料
 MATERIAL
 キャリアテープ: ポリスチレン
 CARRIER TAPE: POLYSTYRENE
 トップテープ: PET, PE, PEF
 TOP TAPE
 リール: ポリスチレン
 REEL: POLYSTYRENE
- 一般公差
 GENERAL TOLERANCES
 10 UNDER: 0.2
 10 OVER 30 UNDER: 0.25
 30 OVER: 0.3
 ANGULAR: ±1°



DETAIL X
(SCALE 10:1)

PULL OUT DIRECTION
DIRECTION OF CONNECTOR
IN EMBOSSED TAPE

REVISED EC NO: JTR2016-0015 DRWN:KINAGAI 2016/03/01 CHKD:HKOMATSU 2016/03/04 APPR: MAYAMAMOTO 2016/03/08	QUALITY SYMBOLS ▽E=0 ▽F=0 ▽G=0	GENERAL TOLERANCES (UNLESS SPECIFIED)		DIMENSION STYLE MM ONLY	SCALE 2:1	DESIGN UNITS METRIC	THIRD ANGLE PROJECTION				
		4 PLACES ± --- ± ---	3 PLACES ± --- ± ---	2 PLACES ± --- ± ---	1 PLACE ± --- ± ---	0 PLACE ± --- ± ---	ANGULAR ± - °	DRAFT WHERE APPLICABLE MUST REMAIN WITHIN DIMENSIONS	DRAWN BY YTAMAKI	DATE 2014/05/23	TITLE 2.0MM PITCH W/B ST. WAFER ASSY EMBOSSED TAPE PACKAGE
		mm	INCH	CHECKED BY HKOMATSU	DATE 2014/05/23	APPROVED BY MAYAMAMOTO	DATE 2014/06/30	MATERIAL NO. SEE CHART	DOCUMENT NO. SD-560020-003	SHEET NO. 1 OF 2	
		THIS DRAWING CONTAINS INFORMATION THAT IS PROPRIETARY TO MOLEX INCORPORATED AND SHOULD NOT BE USED WITHOUT WRITTEN PERMISSION		SIZE A3							

9 8 7 6 5 4 3 2 1

	10					9					8					7					6					5					4					3					2					1																																																																																																						
F	Sn NATURAL					52.4	61.4	57.4	56	26.2	36.9	560020-1520	15	Au NATURAL	52.4	61.4	57.4	56	26.2	36.9	560020-1530	15	Sn NATURAL	52.4	61.4	57.4	56	26.2	34.9	560020-1430	14	Au NATURAL	52.4	61.4	57.4	56	26.2	32.9	560020-1330	13	Sn NATURAL	52.4	61.4	57.4	56	26.2	30.9	560020-1230	12	Au NATURAL	52.4	61.4	57.4	56	26.2	28.9	560020-1130	11	Sn NATURAL	52.4	61.4	57.4	56	26.2	26.9	560020-1030	10	Au NATURAL	52.4	61.4	57.4	56	26.2	24.9	560020-0930	09	Sn NATURAL	52.4	61.4	57.4	56	26.2	22.9	560020-0830	08	Au NATURAL	52.4	61.4	57.4	56	26.2	20.9	560020-0730	07	Sn NATURAL	52.4	61.4	57.4	56	26.2	18.9	560020-0630	06	Au NATURAL	52.4	61.4	57.4	56	26.2	16.9	560020-0530	05	Sn NATURAL	52.4	61.4	57.4	56	26.2	14.9	560020-0430	04	Au NATURAL	52.4	61.4	57.4	56	26.2	12.9	560020-0330	03	Sn NATURAL	52.4	61.4	57.4	56	26.2	11.2	560020-0230	02	Au NATURAL	52.4	61.4	57.4	56	26.2	11.2	560020-0230	02
						40.4	49.4	45.4	44	20.2	34.9	560020-1420	14		40.4	49.4	45.4	44	20.2	32.9	560020-1320	13		40.4	49.4	45.4	44	20.2	30.9	560020-1220	12		40.4	49.4	45.4	44	20.2	28.9	560020-1120	11		40.4	49.4	45.4	44	20.2	26.9	560020-1020	10		40.4	49.4	45.4	44	20.2	24.9	560020-0920	09		40.4	49.4	45.4	44	20.2	22.9	560020-0820	08		40.4	49.4	45.4	44	20.2	20.9	560020-0720	07		40.4	49.4	45.4	44	20.2	18.9	560020-0620	06		40.4	49.4	45.4	44	20.2	16.9	560020-0520	05		40.4	49.4	45.4	44	20.2	14.9	560020-0420	04		40.4	49.4	45.4	44	20.2	12.9	560020-0320	03		40.4	49.4	45.4	44	20.2	11.2	560020-0220	02																											
						28.4	37.4	33.4	32	14.2	18.9	560020-0620	06		28.4	37.4	33.4	32	14.2	16.9	560020-0520	05		28.4	37.4	33.4	32	14.2	14.9	560020-0420	04		28.4	37.4	33.4	32	14.2	12.9	560020-0320	03		28.4	37.4	33.4	32	14.2	11.2	560020-0220	02		28.4	37.4	33.4	32	14.2	11.2	560020-0220	02																																																																																										
						/	29.4	25.4	24	11.5	14.9	560020-0420	04		/	29.4	25.4	24	11.5	12.9	560020-0320	03		/	29.4	25.4	24	11.5	11.2	560020-0220	02		/	29.4	25.4	24	11.5	11.2	560020-0220	02																																																																																																												
						PLATING	F	E	D	C	(B)	(A)	エンボス梱包品 製品番号 MATERIAL NO.		CIRCUITS	PLATING	F	E	D	C	(B)	(A)		エンボス梱包品 製品番号 MATERIAL NO.	CIRCUITS	PLATING	F	E	D	C	(B)		(A)	エンボス梱包品 製品番号 MATERIAL NO.	CIRCUITS																																																																																																																	

D	Sn BLACK					/	/	/	/	/	Sn RED	/	/	/	/	/	Sn BLUE	/	/	/	/	/												
						40.4	49.4	45.4	44	20.2		40.4	49.4	45.4	44	20.2		40.4	49.4	45.4	44	20.2												
						28.4	37.4	33.4	32	14.2		28.4	37.4	33.4	32	14.2		28.4	37.4	33.4	32	14.2												
						/	29.4	25.4	24	11.5		/	29.4	25.4	24	11.5		/	29.4	25.4	24	11.5												
						PLATING	F	E	D	C		(B)	(A)	エンボス梱包品 製品番号 MATERIAL NO.	CIRCUITS	PLATING		F	E	D	C	(B)	(A)	エンボス梱包品 製品番号 MATERIAL NO.	CIRCUITS	PLATING	F	E	D	C	(B)	(A)	エンボス梱包品 製品番号 MATERIAL NO.	CIRCUITS

REVISED	EC NO: JTR2016-0015	DRW:KNAGA102	CHKD:HKOMATSU	APPR: MAYAMAMOTO	DATE: 2016/03/01	DATE: 2016/03/04	DATE: 2016/03/08			
	QUALITY SYMBOLS			GENERAL TOLERANCES (UNLESS SPECIFIED)		DIMENSION STYLE		SCALE	DESIGN UNITS	THIRD ANGLE PROJECTION
	$\nabla = 0$ $\nabla \square = 0$ $\nabla \square = 0$			mm INCH 4 PLACES ± --- ± --- 3 PLACES ± --- ± --- 2 PLACES ± --- ± --- 1 PLACE ± --- ± --- 0 PLACE ± --- ± ---		MM ONLY		2:1	METRIC	
	DRAFT WHERE APPLICABLE MUST REMAIN WITHIN DIMENSIONS			ANGULAR ± - °		DRAWN BY: YTAKAMI DATE: 2014/05/23 CHECKED BY: HKOMATSU DATE: 2014/05/23 APPROVED BY: MAYAMAMOTO DATE: 2014/06/30		TITLE: 2.0MM PITCH W/B ST. WAFER ASSY EMBOSSED TAPE PACKAGE		
	SEE CHART			MATERIAL NO.		DOCUMENT NO. SD-560020-003			SHEET NO. 2 OF 2	