

## Product Specification

### RoHS Compliant 2.125 Gb/s Short-Wavelength GBIC Transceiver

#### FTL-8519-3D-2.5

#### Product Features

- Up to 2.125 Gb/s bi-directional data links
- 850nm VCSEL Laser Transmitter
- Optional Digital Diagnostics Functions
- Extended Operating Temperature Range (-10°C to +85°C)
- Compatible with 3.3V & 5V Systems
- Hot-Pluggable (complies with GBIC specification Rev. 5.5)
- Fully metallic enclosure for low EMI
- Low power dissipation
- RoHS compliant and Lead Free



#### Applications

- 1.25 Gb/s 1000BASE-LX Ethernet
- Dual Rate 1.06 / 2.125 Gb/s Fibre Channel

Finisar's FTL-8519-3D-2.5 850nm GBIC transceivers comply with GBIC Specification Revision 5.5<sup>1</sup>. They are compatible with the Gigabit Ethernet as specified in IEEE Std 802.3<sup>2</sup>, Fibre Channel FC-PH, PH2, PH3<sup>3</sup> and FC-PI-2 Rev. 10.0<sup>4</sup>. They are RoHS compliant and lead-free per Directive 2002/95/EC<sup>5</sup> and Finisar Application Note AN-2038<sup>9</sup>.

**I. Pin Out**

Pin Name	Pin #	Sequence
RX_LOS	1	2
GND	2	2
GND	3	2
MOD_DEF(0)	4	2
MOD_DEF(1)	5	2
MOD_DEF(2)	6	2
TX_DISABLE	7	2
GND	8	2
GND	9	2
TX_FAULT (not supported)	10	2
GND	11	1
-RX_DAT	12	1
+RX_DAT	13	1
GND	14	1
V <sub>CC</sub>	15	2
V <sub>CC</sub>	16	2
GND	17	1
+TX_DAT	18	1
-TX_DAT	19	1
GND	20	1

**Table 1. GBIC to host connector pin assignment**

“Sequence” indicates the order in which pins make contact when the device is hot plugged. Also see “Table 3: Signal Definitions” in the GBIC Specification Revision 5.5.<sup>1</sup>

## II. Electrical Power Interface

Finisar FTL-8519-3D-2.5 GBICs have an extended power supply voltage range of 3.15 V to 5.5 V as described in Table 2. They are compatible with both 3.3V and 5 V systems.

+5/3.3 Volt Electrical Power Interface						
Parameter	Symbol	Min	Typ	Max	Units	Notes/Conditions
Supply Current	$I_s$		190	300	mA	
Surge Current	$I_{surge}$			330	mA	Hot plug
Absolute Supply Voltage	$V_{max}$	-0.3		6	V	Not to be applied continuously
Operating Supply Voltage	$V_{cc}$	3.15	3.3, 5	5.5	V	Referenced to GND.

**Table 2. Electrical power interface**

## III. Low Speed Signals

RX\_LOS, and TX\_DISABLE are TTL signals as described in Table 3. MOD\_DEF(1) (SCL) and MOD\_DEF(2) (SDA), are open drain CMOS signals (see section VI, “Serial Communication Protocol”). Both MOD\_DEF(1) and MOD\_DEF(2) must be pulled up to host\_Vcc. If host\_Vcc is 3.3V, then they must be pulled to 3.3V. If host\_Vcc is 5V, do not pull the MOD\_DEF pins to 5V. For more detailed information, see sections 5.3.1 – 5.3.8 in the GBIC Specification Rev. 5.5<sup>1</sup>.

Low Speed Signals, Electronic Characteristics						
Parameter	Symbol	Min	Max	Units	Notes/Conditions	
GBIC Output LOW	$V_{OL}$	0	0.5	V	4.7k to 10k pull-up to host_Vcc, measured at host side of connector	
GBIC Output HIGH	$V_{OH}$	host_Vcc - 0.5	host_Vcc + 0.3	V	4.7k to 10k pull-up to host_Vcc, measured at host side of connector	
GBIC Input LOW	$V_{IL}$	0	0.8	V	4.7k to 10k pull-up to Vcc, measured at GBIC side of connector*	
GBIC Input HIGH	$V_{IH}$	2	Vcc + 0.3	V	4.7k to 10k pull-up to Vcc, measured at GBIC side of connector*	

\*Note  $V_{IH}$  and  $V_{IL}$  are the same for both 5V and 3.3V operation

**Table 3. Low speed signals – electronic characteristics**

Low Speed Signal Parameters						
Parameter	Symbol	Min	Typ	Max	Units	Notes/Conditions
RX_LOS Assert Level	--	-30			dBm	
RX_LOS Deassert Level	--			-19	dBm	
RX_LOS Hysteresis	--	0.5			dB	
RX_LOS Assert Delay	t_loss_on		44	100	μsec	From detection of loss of signal to assertion of RX_LOS
RX_LOS Negate Delay	t_loss_off		44	100	μsec	From detection of presence of signal to negation of RX_LOS
TX_DISABLE Assert Time	t_off			10	μsec	Rising edge of TX_DISABLE to fall of output signal below 10% of nominal
TX_DISABLE Negate Time	t_on			1000	μsec	Falling edge of TX_DISABLE to rise of output signal above 90% of nominal
TX_DISABLE Reset Time	t_reset	10			μsec	TX_DISABLE HIGH before TX_DISABLE set LOW

Table 4. Low speed signal parameters

#### IV. High Speed Electrical Interface

All high-speed PECL signals are AC-coupled internally.

High Speed Electrical Interface						
Parameter	Symbol	Min	Typ	Max	Units	Notes/Conditions
Data Input Voltage	V <sub>in</sub>	650		2000	mV	PECL differential peak - peak
Data Output Voltage	V <sub>out</sub>	370		2000	mV	PECL differential peak - peak
PECL rise/fall	t <sub>r</sub> ,t <sub>f</sub>			175	psec	20%-80% differential
Bit Error Rate	BER			10 <sup>-12</sup>		PRBS 2 <sup>7</sup> - 1 test data pattern
Tx Input Impedance	Z <sub>in</sub>		75		ohm	
Rx Output Impedance	Z <sub>out</sub>		75		ohm	

Table 5. High-speed electrical interface

## V. Optical Parameters

Optical Parameters						
Parameter	Symbol	Min	Typ	Max	Units	Notes/Conditions
Transmitter Center Wavelength	$\lambda_c$	820	850	860	nm	
Transmitter Spectral Width (RMS)	$\Delta\lambda$		0.5	0.85	nm	RMS
Transmitter Optical Output Power	$P_{out}$	-9.5		-3.5	dBm	Average Power
Transmitter Extinction Ratio	ER	9			dB	
Relative Intensity Noise	RIN			-117	dB/Hz	
Transmitter Eye Opening	--	60			%	Conforms to IEEE 802.3 and Fibre Channel Eye Masks
Total Transmitter Jitter	$TJ_{TX}$			160	ps	Peak to peak, filtered
Transmitter Rise/Fall Time	$Tr/Tf$			160	ps	Unfiltered 20%-80%
Optical Input Wavelength	$\lambda_{in}$	770		860	nm	
Optical Receiver Sensitivity <=1.25Gb/s	$R_{XSENS}$ (1X)		-22	-20.5	dBm	BER < $10^{-12}$ w/ PRBS $2^7$ - 1 test data pattern @ 1.25Gb/s
Optical Receiver Sensitivity >1.25Gb/s	$R_{XSENS}$ (2X)			-15	dBm	BER < $10^{-12}$ w/ PRBS $2^7$ - 1 test data pattern @ 2.125Gb/s
Stressed Receiver Sensitivity @ 1.25Gb/s				-13.5	DBm	As defined in GBE standard
Average Received Power	$R_{XMAX}$			0	dBm	
Max Reflectivity				-14	dB	
Total Receiver Jitter	$TJ_{RX}$			160	ps	Peak to peak, filtered in loopback

Table 6. Optical parameters

## VI. General Specifications

General						
Parameter	Symbol	Min	Typ	Max	Units	Notes/Conditions
Data Rate	BR		1.0625, 1.25, 2.125		Gb/sec	1x/2x Fibre Channel, IEEE 802.3 Compatible. Rate tolerance = $\pm 100$ ppm
Fiber Length on 50 $\mu$ m 500MHz-km Fiber	L			550 (300)	m	@ 1.0625Gb/s (@ 2.125Gb/s)
Fiber Length 62.5 $\mu$ m 200MHz-km Fiber	L			275 (150)	m	@ 1.0625Gb/s (@ 2.125Gb/s)

Table 7. General specifications

**VII. Environmental Specifications**

Environment						
Parameter	Symbol	Min	Typ	Max	Units	Notes/Conditions
Operating Temp	T <sub>op</sub>	-10		85	°C	Case Temperature
Relative Humidity	RH	0		85	%	Non Condensing
Storage Temp	T <sub>sto</sub>	-40		85	°C	
Eye Safety	--					CDRH and IEC-825 Class 1 Laser Product. See Note 1

**Note 1:** Complies with FDA performance standards for laser products except for deviations pursuant to Laser Notice No. 50, dated July 26, 2001.

**Table 8. Environmental Specifications**

**VIII. Serial Communication Protocol**

All Finisar optical GBICs implement serial identification features described for ‘Module Definition “4”’ as outlined in Annex D of the GBIC Specification<sup>1</sup>. These GBICs use an Atmel AT24C01A 128 byte E<sup>2</sup>PROM at address A0H. For details on interfacing with the E<sup>2</sup>PROM, see the Atmel data sheet titled “AT24C01A/02/04/08/16 2-Wire Serial CMOS E<sup>2</sup>PROM.”<sup>6</sup>

The FTL-8519-3D-2.5 also supports extended diagnostic features as described in Finisar Applications Note AN-2030, “Digital Diagnostic Monitoring Interface for Optical Transceivers”<sup>8</sup>, and additional information is available in SFF standard titled: “Digital Diagnostic Monitoring Interface for Optical Transceivers”<sup>7</sup> (SFF-8472 rev9.3). A controller IC that monitors system parameters such as laser current, module temperature, transmitter power, and received power is accessible at address A2H.

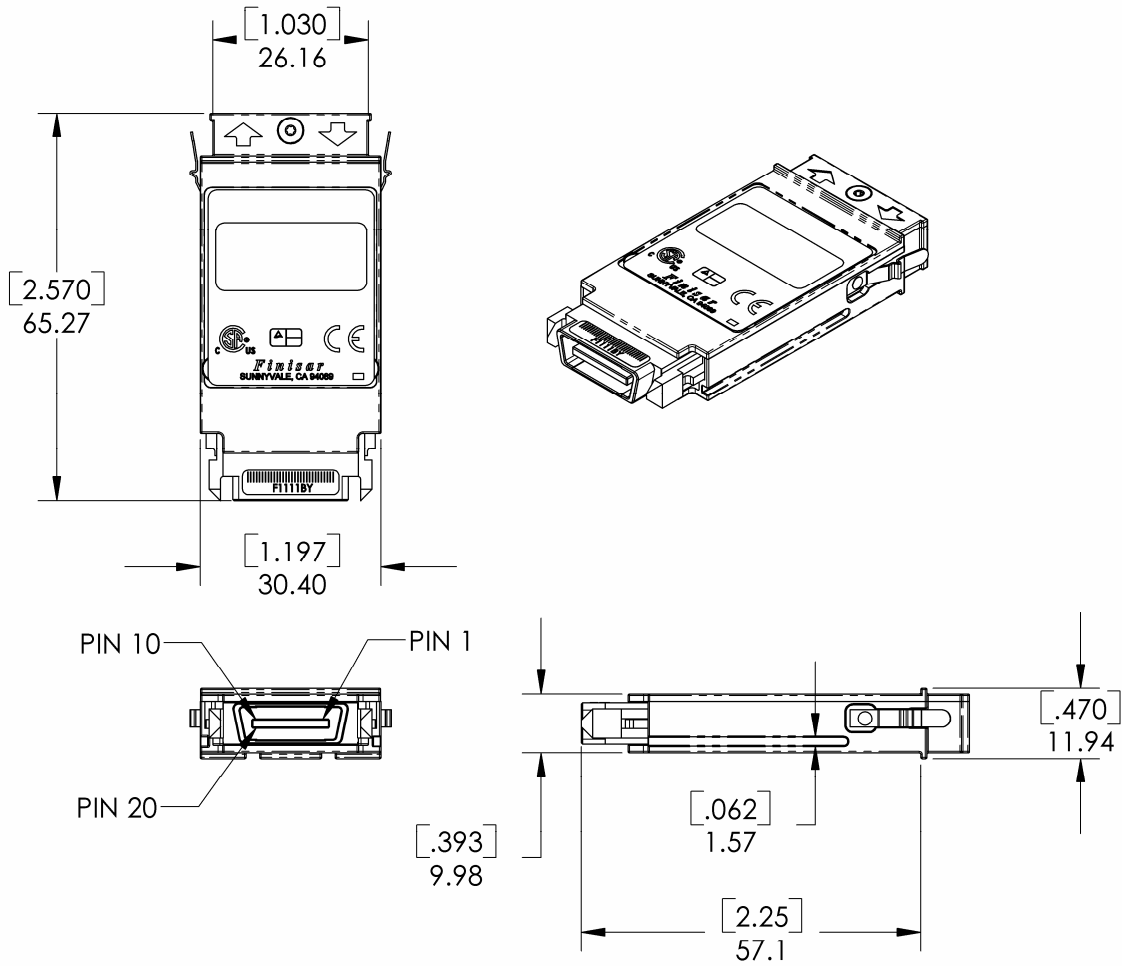
I2C clock speed, digital diagnostic accuracy and digital diagnostic range can be found in the table below. Values in the table represent the worst-case values over temperature, voltage, and life.

Parameter	Symbol	Min	Typ	Max	Units	Notes/Conditions
I <sup>2</sup> C Clock Speed		0		100,000	Hz	Bus can be driven blind
<b>Accuracy</b>						
Internal Transceiver Temperature	DD <sub>Temperature</sub>	-3		+3	°C	Measured at controller IC
Internal Transceiver Supply Voltage	DD <sub>Voltage</sub>	-3		+3	%	Measured at controller IC
Tx Bias Current	DD <sub>Bias</sub>	-10		+10	%	
Tx Output Power	DD <sub>TxPower</sub>	-3		+3	dB	100% tested in production tested at room temp to ±2 dB
Received Average Power	DD <sub>RxPower</sub>	-3		+3	dB	100% tested in production tested at room temp to ±2 dB
<b>Range</b>						
Internal Transceiver Temperature	DD <sub>Temperature</sub>	-40		100	°C	
Internal Transceiver Supply Voltage	DD <sub>Voltage</sub>	3.0		6.0	V	
Tx Bias Current	DD <sub>Bias</sub>	0		15	mA	
Tx Output Power	DD <sub>TxPower</sub>	-12		-2	dBm	
Received Average Power	DD <sub>RxPower</sub>	-20		1	dBm	

**Table 9. Digital Diagnostic Accuracy and Range Limits**

**X. Mechanical Specifications**

Finisar GBICs are compatible with the mechanical specifications outlined in the GBIC Specification Revision 5.5, Section 6<sup>1</sup>.



**Figure 1. GBIC Outline Drawing**



**XI. References**

1. “Gigabit Interface Converter (GBIC) Revision 5.5”. Sun Microsystems Computer Company et. al., September 27, 2000. <http://playground.sun.com/pub/OEmod/>
2. IEEE Std 802.3. IEEE Standards Department, 2002.
3. “Fibre Channel Physical and Signaling Interface (FC-PH, FC-PH2, FC-PH3)”. American National Standard for Information Systems.
4. Fibre Channel Draft Physical Interface Specification (FC-PI-2 Rev. 10.0). American National Standard for Information Systems.
5. Directive 2002/95/EC of the European Council Parliament and of the Council, “on the restriction of the use of certain hazardous substances in electrical and electronic equipment.” January 27, 2003.
6. “AT24C01A/02/04/08/16 2-Wire Serial CMOS E<sup>2</sup>PROM”. Atmel Corporation. [www.Atmel.com](http://www.Atmel.com)
7. “Digital Diagnostics Monitoring Interface for Optical Transceivers”. SFF Document Number SFF-8472, Revision 9.3.
8. “Application Note AN-2030: Digital Diagnostic Monitoring Interface for Optical Transceivers”, Finisar Corporation, April 2002.
9. “Application Note AN-2038: Finisar Implementation of RoHS Compliant Transceivers”, Finisar Corporation, March 2005.

**XI. For More Information**

Finisar Corporation  
1389 Moffett Park Drive  
Sunnyvale, CA 94089-1134  
Tel. 1-408-548-1000  
Fax 1-408-541-6138  
[sales@finisar.com](mailto:sales@finisar.com)  
[www.finisar.com](http://www.finisar.com)