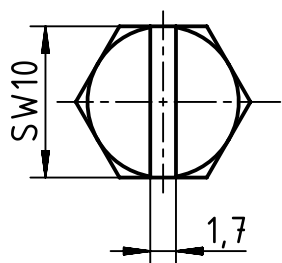
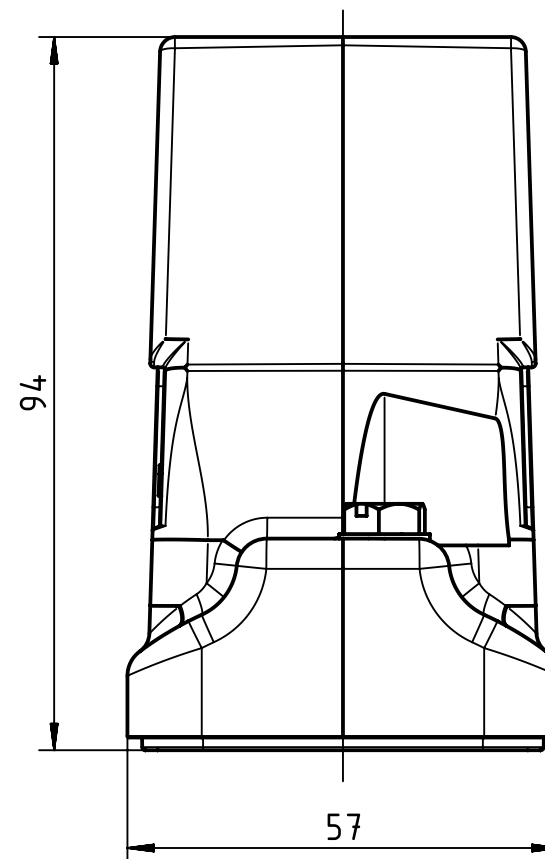
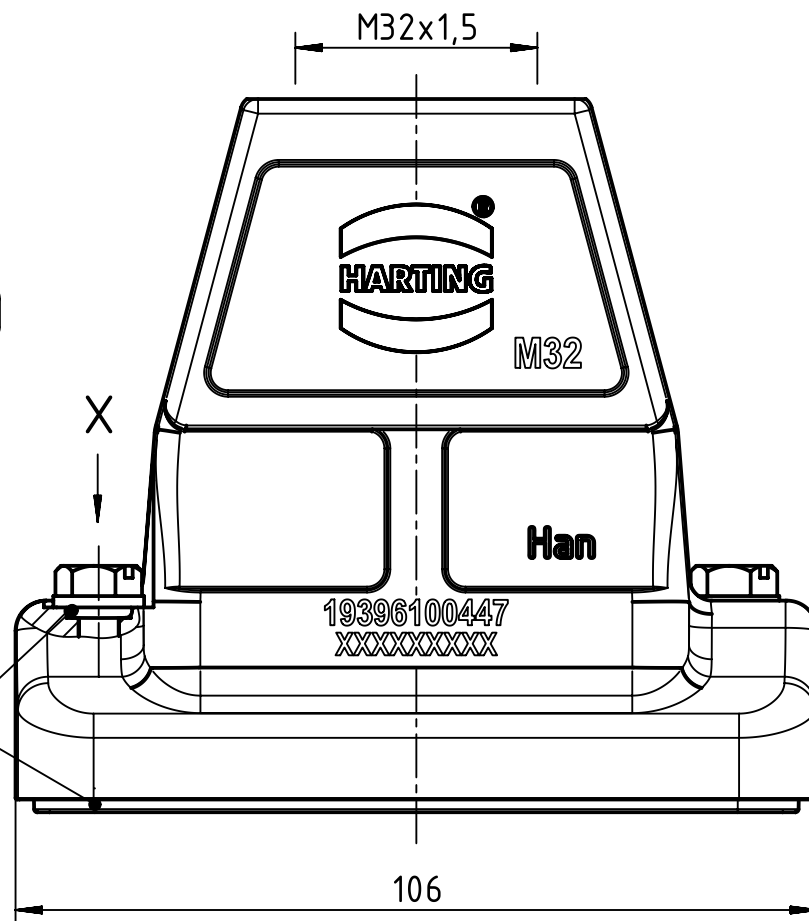


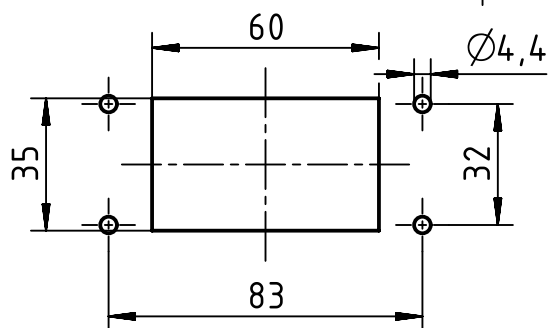
X (2:1)




Seal



Panel cut out (1:2)



	All rights reserved		Scale 1:1		Free size tol.		Ref.	
	Department EL PD - CN		Created by LONGL	Inspected by WENE	Standardisation SCHMIDTM	Date 2017-03-20	State Final Release	
HARTING (Zhuhai) Manufacturing Co., Ltd. 519085 Zhuhai, China			Title Han 10HP Direct/B-HTE-M32				Doc-Key / ECM-Nr. 100632975/UGD/004/D 500000116960	
			Type TB	Number 19 39 610 0447			Rev. D	Page 1/1