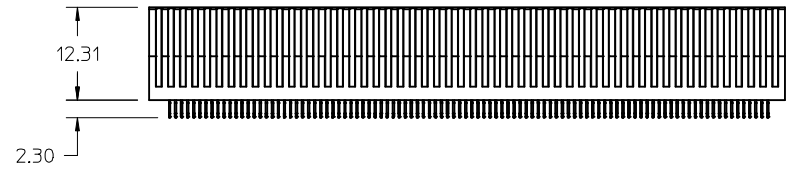


2 BAY EDGE LINE

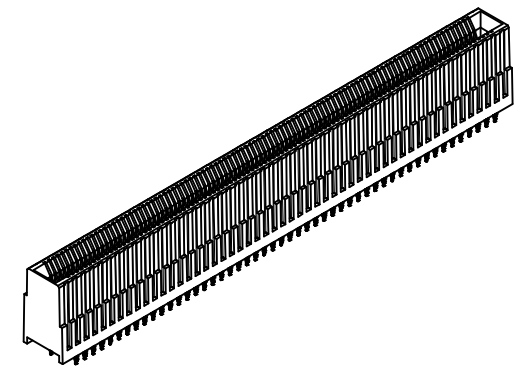
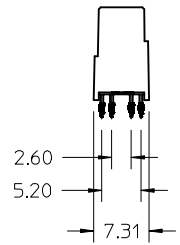


1 BAY EDGE LINE



LAST CIRCUIT

FIRST CIRCUIT



PART NUMBER	VERSION	BAY 1/BAY 2	TOTAL CIRCUITS	DIM A	SALES DRAWING (SEE NOTE 9)
76691-2278	2 BAY	143/132	278	118.63	SD-76691-2278
76691-1200	1 BAY	200	200	84.20	SD-76691-1200
76691-2108	2 BAY	86/22	108	50.63	SD-76691-2108
76691-3108	2 BAY	86/22	108	50.63	SD-76691-3108
76691-2080	2 BAY	52/28	80	39.43	SD-76691-111
76691-9046*	1 BAY	46	46	22.60	SD-76691-109
76691-1046	1 BAY	46	46	22.60	SD-76691-107

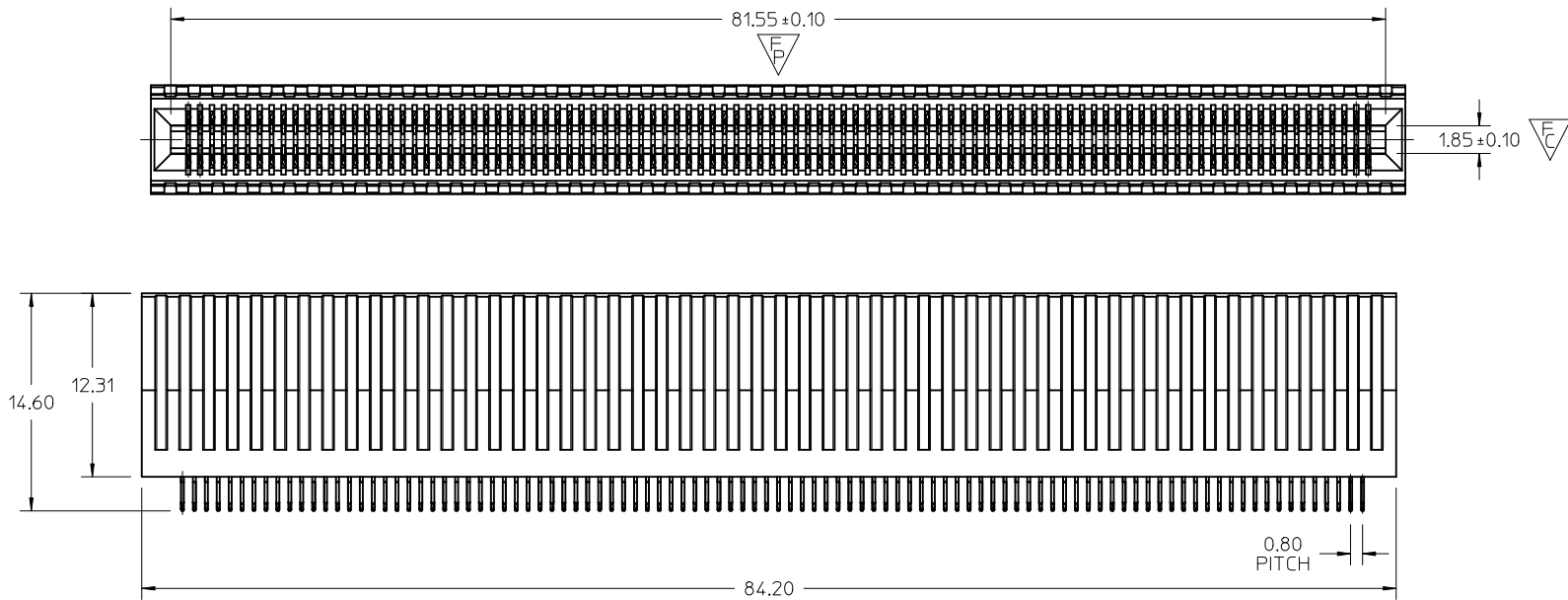
- NOTES:
- MATERIAL:
HOUSING - GLASS FILLED THERMOPLASTIC, 94-VO, BLACK
TERMINALS - COPPER ALLOY
 - FINISH:
CONTACT AREA: 0.76 MICROMETER MINIMUM HARD GOLD OVER 3.80 MICROMETER NICKEL
COMPLIANT AREA: 0.76-1.52 MICROMETER TIN (PREVIOUSLY TIN/LEAD) OVER 1.27 MICROMETER NICKEL
* SPECIAL FINISH:
CONTACT AREA: 0.76 MICROMETER MINIMUM HARD GOLD OVER 3.80 MICROMETER NICKEL
COMPLIANT AREA: 0.76-1.52 MICROMETER TIN (PREVIOUSLY TIN/LEAD) OVER 1.27 MICROMETER NICKEL
 - REFER TO PS-75594-999 PRODUCT SPECIFICATION FOR ALL ELECTRICAL, MECHANICAL AND ENVIRONMENTAL SPECIFICATIONS.
 - REFER TO PK-76693-900 FOR ALL PACKAGING SPECIFICATIONS.
 - PROCESSING: PRESSFIT TO PC BOARD.
 - MATING PC BOARD THICKNESS = 1.60±0.16MM OVER CONTACT PADS.
 - PRODUCT IS ELV AND RoHS COMPLIANT. LEVEL OF COMPLIANCE: 6/6
ALL BANNED SUBSTANCES ARE REMOVED:
Pb (LEAD)
HEXAVALENT CHROMIUM (CrVI)
CADMIUM
MERCURY
POLYBROMINATED BIPHENYL (PBB)
POLYBROMINATED DIPHENYL ETHER (PBDE)
 - THIS PART CONFORMS TO CLASS B REQUIREMENTS OF COSMETIC SPEC PS-45499-002
 - FOR EDGE CARD AND MOUNTING PCB LAYOUT DETAIL SEE CORRESPONDING SALES DRAWING.

REV	DESCRIPTION	QUALITY SYMBOLS
1	LEADFREE CONVERTER. EC NO: UCP2013-2374 DRWN:MP0FF 2012/11/12 CHKD:HWOLFE 2012/11/12 APPR:SMILLER 2013/01/04	▽=0 ▽=0 ▽=0

GENERAL TOLERANCES (UNLESS SPECIFIED)	
mm	INCH
4 PLACES ± .---	± .---
3 PLACES ± .---	± .---
2 PLACES ± 0.13	± .---
1 PLACE ± 0.25	± .---
0 PLACE ± .---	± .---
ANGULAR ±1/2°	
DRAFT WHERE APPLICABLE MUST REMAIN WITHIN DIMENSIONS	

DIMENSION STYLE	
MM ONLY	
DRAWN BY	DATE
DROSCA	07/21/08
CHECKED BY	DATE
JCOMERC I	07/21/08
APPROVED BY	DATE
JCOMERC I	2010/10/25
MATERIAL NO.	
SEE TABLE	

SCALE	DESIGN UNITS	THIRD ANGLE PROJECTION
2:1	METRIC	☉
TITLE		
EDGE LINE 12.5GB 0.062*PCB 0.8MM PITCH		
molex		
DOCUMENT NO.	SHEET NO.	
SD-76691-100	1 OF 1	
THIS DRAWING CONTAINS INFORMATION THAT IS PROPRIETARY TO MOLEX INCORPORATED AND SHOULD NOT BE USED WITHOUT WRITTEN PERMISSION		



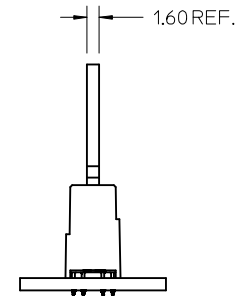
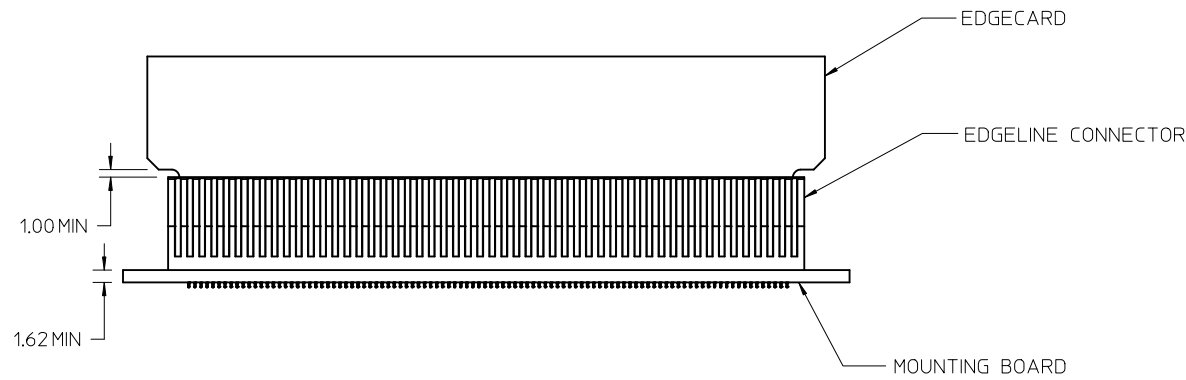
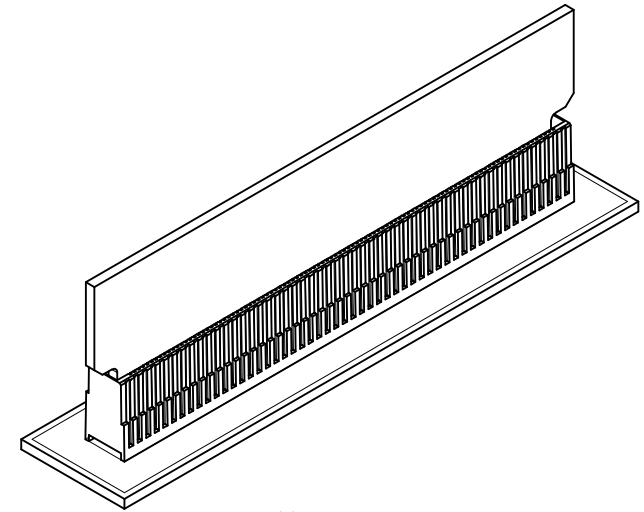
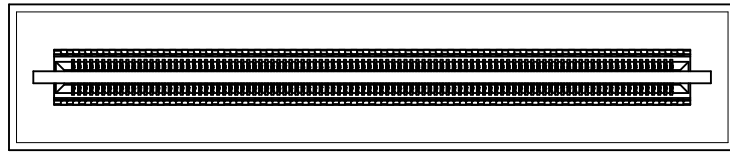
LAST CIRCUIT
FIRST CIRCUIT

NOTES:

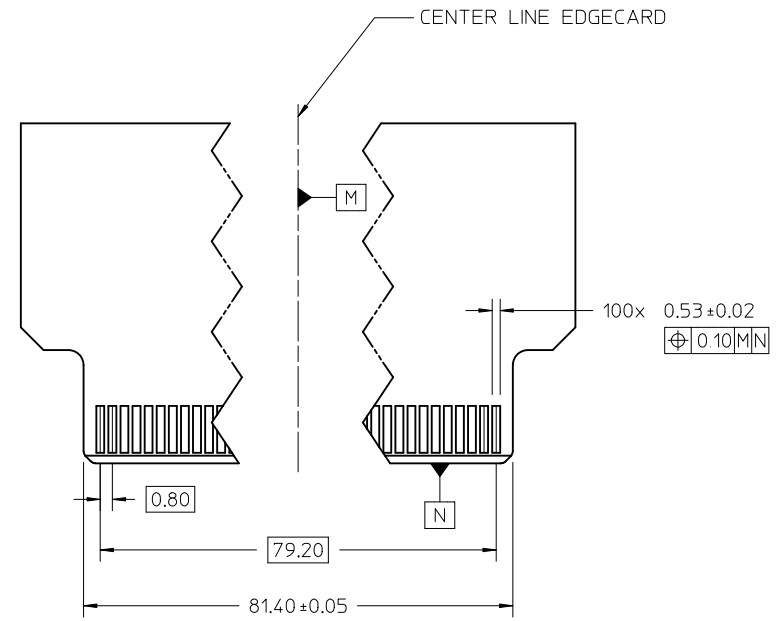
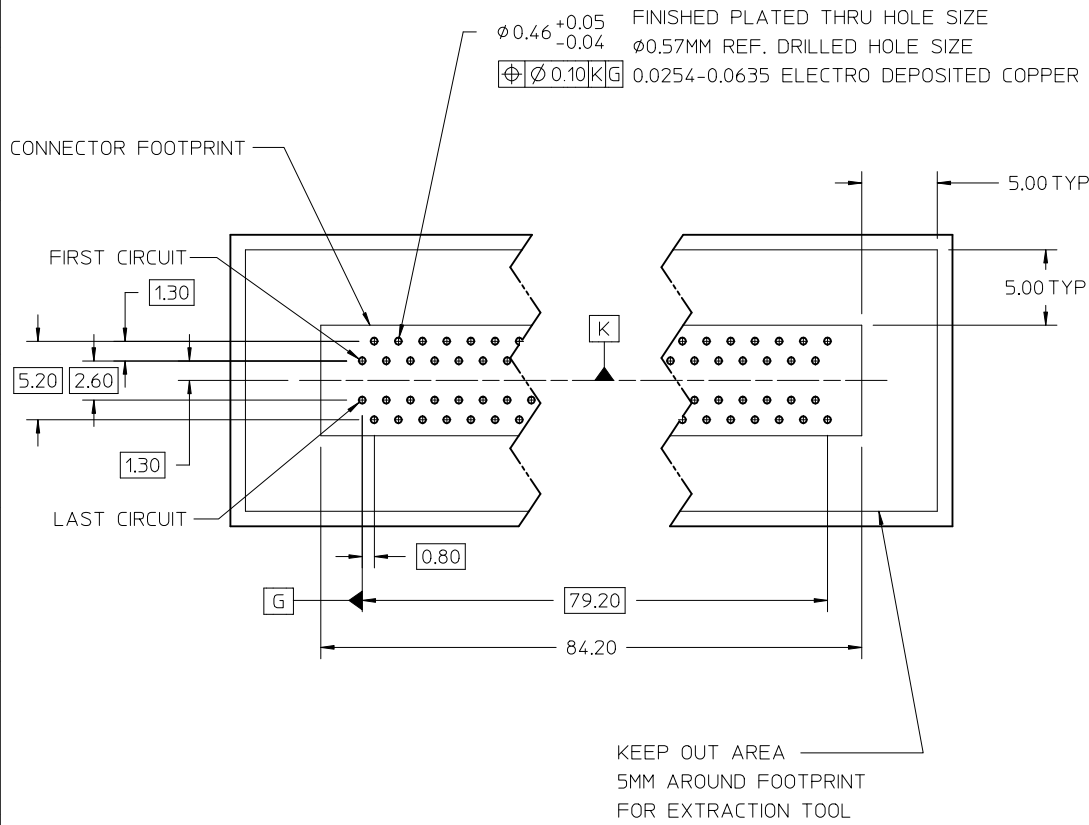
- MATERIAL:
HOUSING - GLASS FILLED THERMOPLASTIC, 94-V0, BLACK
TERMINALS - COPPER ALLOY
- FINISH:
CONTACT AREA: HARD GOLD -0.76 μ m MIN OVER 3.80 μ NICKEL
COMPLIANT AREA: TIN - 0.76/1.52 μ m OVER NICKEL
* SPECIAL FINISH:
CONTACT AREA: HARD GOLD -0.76 μ m MIN OVER 3.80 μ NICKEL
COMPLIANT AREA: TIN-LEAD - 0.76/1.52 μ m OVER NICKEL
- REFER TO PS-75594-999 PRODUCT SPECIFICATION FOR ALL ELECTRICAL, MECHANICAL AND ENVIRONMENTAL SPECIFICATIONS.
- REFER TO PK-76693-900 FOR ALL PACKAGING SPECIFICATIONS.
- PROCESSING: PRESSFIT TO PC BOARD.
- MATING PC BOARD THICKNESS = 1.60±0.16MM OVER CONTACT PADS.
- PRODUCT IS ELV AND RoHS COMPLIANT. LEVEL OF COMPLIANCE: 6/6
ALL BANNED SUBSTANCES ARE REMOVED:
Pb (LEAD)
HEXAVALENT CHROMIUM (CrVI)
CADMIUM
MERCURY
POLYBROMINATED BIPHENYL (PBB)
POLYBROMINATED DIPHENYL ETHER (PBDE)
- THIS PART CONFORMS TO CLASS B REQUIREMENTS OF COSMETIC SPEC PS-45499-002

REV A EC NO: UCP2011-2702 DRWN: DROSCA 2011/03/23 CHKD: JCOMERC I 2011/03/28 APPR: JCOMERC I 2011/03/28	QUALITY SYMBOLS ▽ = 0 ▽ = 1 ▽ = 1	GENERAL TOLERANCES (UNLESS SPECIFIED)		DIMENSION STYLE MM ONLY	SCALE 4:1	DESIGN UNITS METRIC	THIRD ANGLE PROJECTION	
		mm	INCH	DRAWN BY DROSCA	DATE 2010/11/11	TITLE EDGE LINE 12.5GB 200CKTS 0.062*PCB 0.8MM PITCH		
		4 PLACES ± ---	± ---	CHECKED BY JCOMERC I	DATE 2010/11/11			
		3 PLACES ± ---	± ---	APPROVED BY JCOMERC I	DATE 2011/01/13	DOCUMENT NO. SD-76691-1200		
DRAFT WHERE APPLICABLE MUST REMAIN WITHIN DIMENSIONS		MATERIAL NO. 766911200		SIZE C		SHEET NO. 1 OF 5		

EDGE LINE CONNECTOR BOARD MOUNTING



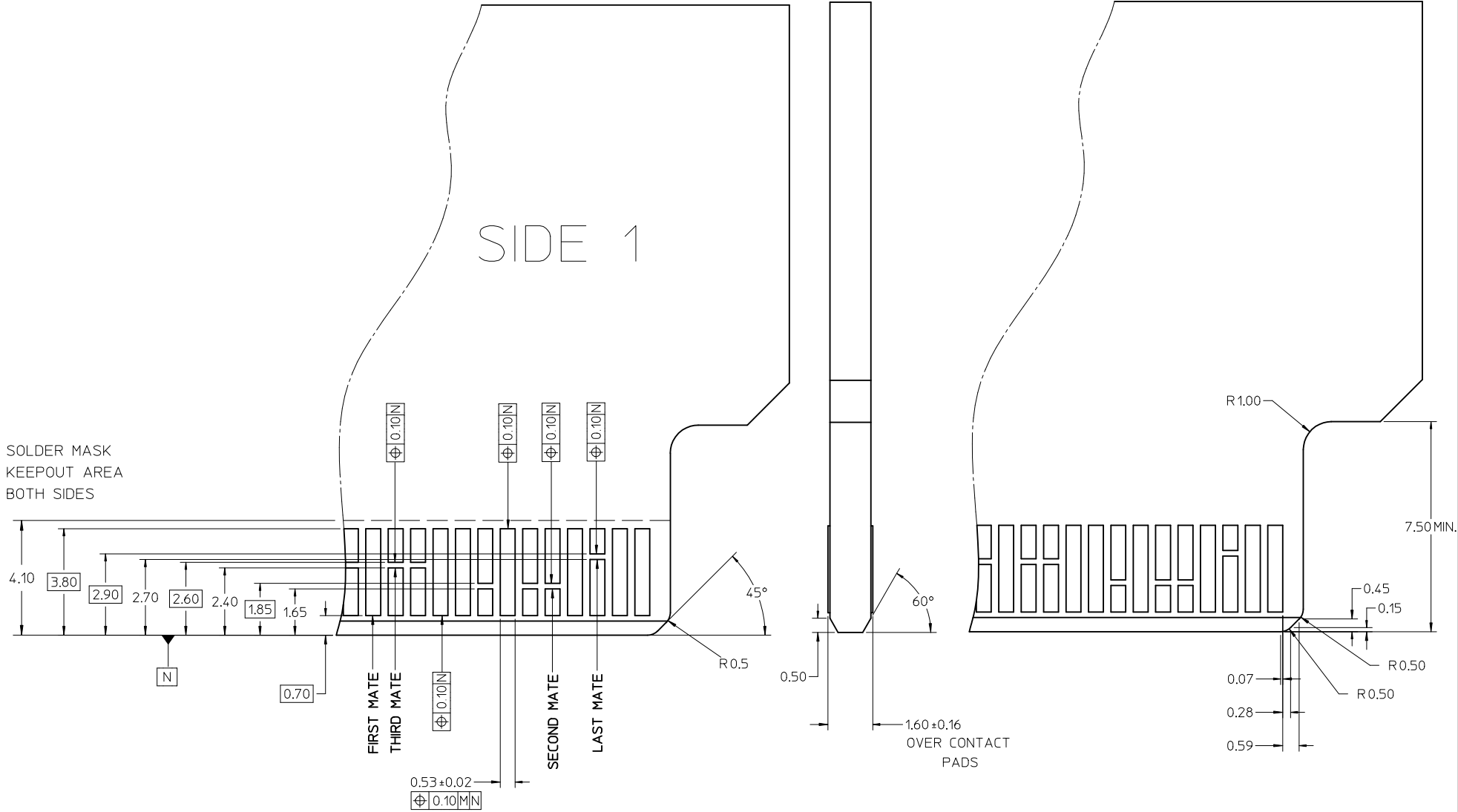
SEE SHEET 1 EC NO: UCP2011-z702 DRWN: DROSCA 2011/03/23 CHKD: JCOMERC I 2011/03/28 APPR: JCOMERC I 2011/03/28	QUALITY SYMBOLS ▽=0 ▽=0	GENERAL TOLERANCES (UNLESS SPECIFIED) mm INCH 4 PLACES ± --- ± --- 3 PLACES ± --- ± --- 2 PLACES ± 0.15 ± --- 1 PLACE ± 0.25 ± --- ANGULAR ± 1/2°	DIMENSION STYLE MM ONLY DRAWN BY DATE DROSCA 2010/11/11 CHECKED BY DATE JCOMERC I 2010/11/11 APPROVED BY DATE JCOMERC I 2011/01/13	SCALE 2:1 DESIGN UNITS METRIC THIRD ANGLE PROJECTION	TITLE EDGE LINE 12.5GB 200CKTS 0.062*PCB 0.8MM PITCH	MATERIAL NO. SEE SHEET 1	DOCUMENT NO. SD-76691-1200	SHEET NO. 2 OF 5
	DRAFT WHERE APPLICABLE MUST REMAIN WITHIN DIMENSIONS	THIS DRAWING CONTAINS INFORMATION THAT IS PROPRIETARY TO MOLEX INCORPORATED AND SHOULD NOT BE USED WITHOUT WRITTEN PERMISSION						



SEE SHEET 1 EC NO: UCP2011-2702 DRAWN: DROSCA 2011/03/23 CHKD: JCOMERC I 2011/03/28 APPR: JCOMERC I 2011/03/28	QUALITY SYMBOLS ▽=0 ▽=0 ▽=0	GENERAL TOLERANCES (UNLESS SPECIFIED)		DIMENSION STYLE MM ONLY		SCALE 4:1	DESIGN UNITS METRIC	THIRD ANGLE PROJECTION		
		4 PLACES ± --- ± ---	3 PLACES ± --- ± ---	2 PLACES ± 0.15 ± ---	1 PLACE ± 0.25 ± ---	DRAWN BY DROSCA	DATE 2010/11/11	TITLE EDGELINE 12.5GB 200CKTS 0.062*PCB 0.8MM PITCH		
		ANGULAR ± 1/2°		DRAFT WHERE APPLICABLE MUST REMAIN WITHIN DIMENSIONS		CHECKED BY JCOMERC I	DATE 2010/11/11	APPROVED BY JCOMERC I		
		MATERIAL NO.		SEE SHEET 1		DATE 2011/01/13		MOLEX INCORPORATED		SHEET NO. 3 OF 5
A	REV	SIZE C		THIS DRAWING CONTAINS INFORMATION THAT IS PROPRIETARY TO MOLEX INCORPORATED AND SHOULD NOT BE USED WITHOUT WRITTEN PERMISSION						

MODULE EDGE CARD CONTACT DETAIL

SIDE 1



Note:

These are generic details that describe the configuration of various PCB design elements. The customer must determine where and when to use each element to accommodate their specific application.*

SEE SHEET 1 EC NO: UCP2011-2702 DRW: DROSCA 2011/03/23 CHKD: JCOMERCI 2011/03/28 APPR: JCOMERCI 2011/03/28	QUALITY SYMBOLS ▽=0 ▽=0	GENERAL TOLERANCES (UNLESS SPECIFIED)		DIMENSION STYLE MM ONLY		SCALE 10:1	DESIGN UNITS METRIC	THIRD ANGLE PROJECTION		
		4 PLACES ± --- ± ---	mm	INCH	DRAWN BY	DATE	TITLE EDGELINE 12.5GB 200CKTS 0.062"PCB 0.8MM PITCH			
		3 PLACES ± --- ± ---			CHECKED BY	DATE				
		2 PLACES ± 0.15 ± ---			JCOMERCI	2010/11/11				
1 PLACE ± 0.25 ± ---			APPROVED BY	DATE	MATERIAL NO. SEE SHEET 1		DOCUMENT NO. MOLEX INCORPORATED SD-76691-1200		SHEET NO. 4 OF 5	
ANGLULAR ± 1/2°		DRAFT WHERE APPLICABLE MUST REMAIN WITHIN DIMENSIONS		SIZE C		THIS DRAWING CONTAINS INFORMATION THAT IS PROPRIETARY TO MOLEX INCORPORATED AND SHOULD NOT BE USED WITHOUT WRITTEN PERMISSION				

