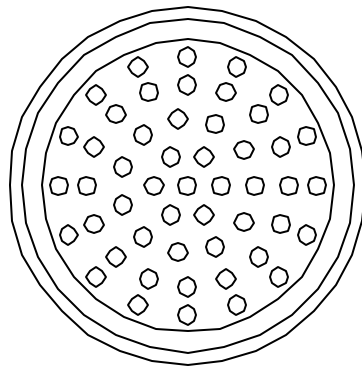
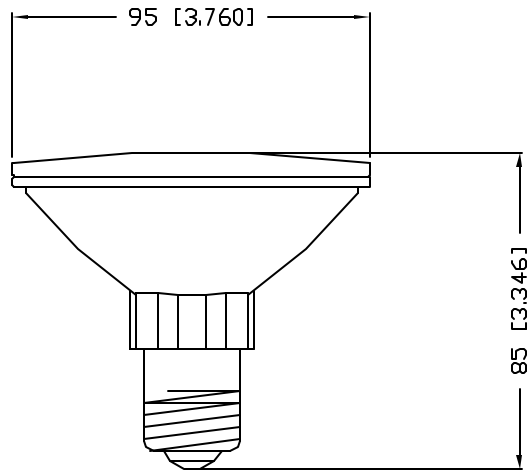


UNCONTROLLED DOCUMENT

PART NUMBER  
SSP-50PAR303S110

REV.



ELECTRO-OPTICAL CHARACTERISTICS  $T_A=25^{\circ}\text{C}$   $V_f=120\text{VAC}$

PARAMETER	MIN	TYP	MAX	UNITS
PEAK WAVELENGTH		590		nm
FORWARD VOLTAGE		120		VAC
POWER DISSIPATION		2.4		W
LUMINOUS FLUX		32		lm
VIEWING ANGLE		15		2x theta
OPERATING, STORAGE TEMP.	-20		+70	$^{\circ}\text{C}$
EMITTED COLOR:	YELLOW			
EPOXY LENS FINISH:	WATER CLEAR			

\*UNLESS OTHERWISE SPECIFIED TOLERANCES PER DECIMAL PRECISION ARE: X=±1 (±0.038), X.X=±0.5 (±0.020), X.XX=±0.25 (±0.010), X.XXX=±0.127 (±0.005). LEAD SIZE=±0.05 (±0.002), LEAD LENGTH=±0.75 (±0.030). MIN= +DECIMAL PRECISION -0.00 MAX= +0.00 -DECIMAL PRECISION

UNCONTROLLED DOCUMENT

REV.

PART NUMBER

SSP-50PAR303S110

50 LED, PAR 30, REPLACEMENT LAMP,  
590nm YELLOW LED, WATER CLEAR LENS.

CONFIDENTIAL INFORMATION

THE INFORMATION CONTAINED IN THIS DOCUMENT IS THE PROPERTY OF SUNBRITE LEDS. EXCEPT AS SPECIFICALLY AUTHORIZED IN WRITING BY SUNBRITE LEDS, THE HOLDER OF THIS DOCUMENT SHALL KEEP ALL INFORMATION CONTAINED HEREIN CONFIDENTIAL AND SHALL PROTECT SAME IN WHOLE OR IN PART FROM DISCLOSURE AND DISSEMINATION TO ALL THIRD PARTIES.

RELIABILITY NOTE

DUR MANY YEARS OF EXPERIENCE DATA ACCUMULATION INDICATE THAT SOLDER HEAT IS A MAJOR CAUSE OF EARLY AND FUTURE FAILURE. PLEASE PAY ATTENTION TO YOUR SOLDERING PROCESS.



286 E. HELEN ROAD  
PALATINE, IL 60067-6976  
PHONE: +1.847.348.3116  
FAX: +1.847.359.2867  
WEB: www.sunbriteleds.com

DRAWN:

JD

CHECKED:

APPROVED:

DATE: 7.28.04

PAGE: 1 OF 1