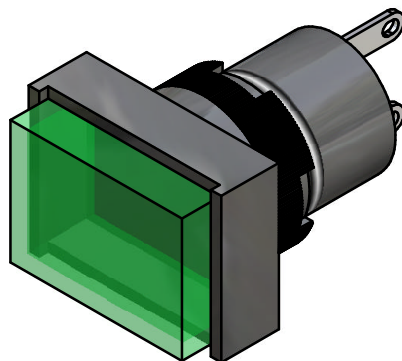
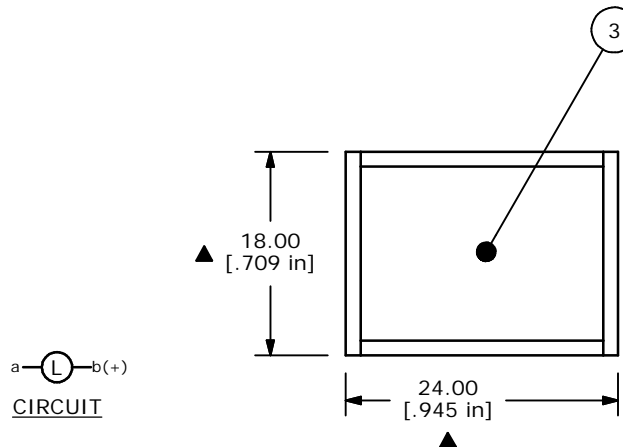


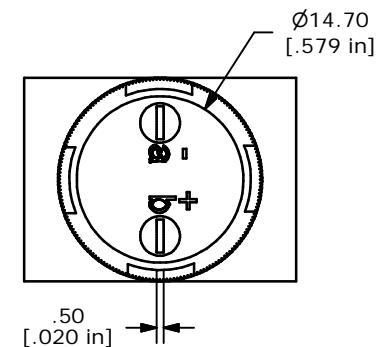
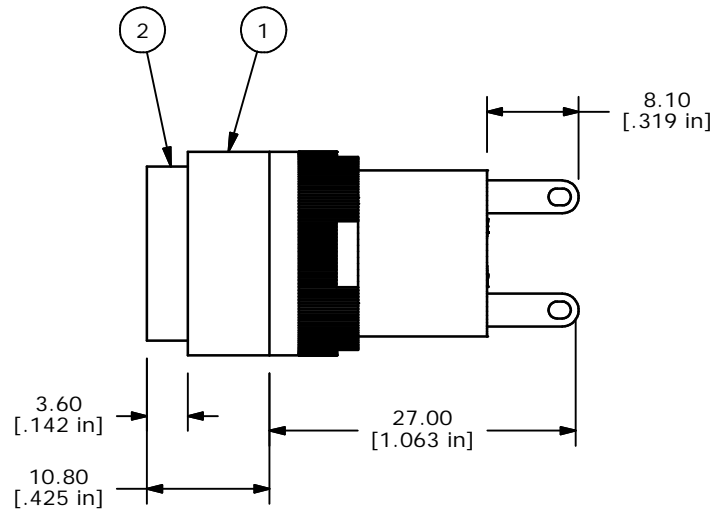
RECOMMENDED PANEL MOUNTING



PARTS LIST			
ITEM	QTY	PART NUMBER	DESCRIPTION
1	1	F040001	L16PLT10
2	1	F050209	50-002-12
3	1	F050405	50-004-05 28V INCANDESCENT BULB



CIRCUIT



- NOTE:
1. ALL DIMENSIONS IN MM [INCH]
 2. GENERAL TOLERANCE: X.X=±0.4
X.XX=±0.25
 3. TERMINAL NUMBERS FOR REF ONLY
 4. OPERATING TEMP: -25°C to +55°C
 5. STORAGE TEMP: -40°C TO +85°C
 - ▲ 6. LAMP VOLTAGE: 28V AC OR DC @40MILLIAMPS
 7. ▲ DENOTES CRITICAL PARAMETER.

E-SWITCH®

A	14317	RELEASED FOR PRODUCTION	9/15/04	AR
REV	PCR NO	DESCRIPTION	DATE	BY

TITLE L16PLT10CGRN				
SCALE	DATE	DR	DWG	REV
2:1	9/15/04	AR	XF0604P	A

THE INFORMATION CONTAINED IN THIS DOCUMENT IS PROPRIETARY TO E-SWITCH AND IS NOT TO BE COPIED OR TRANSFERRED