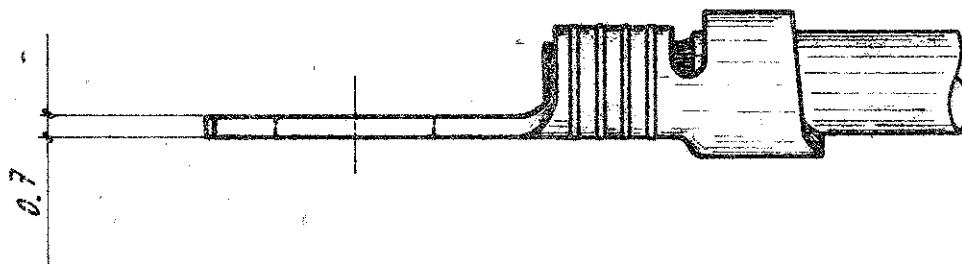
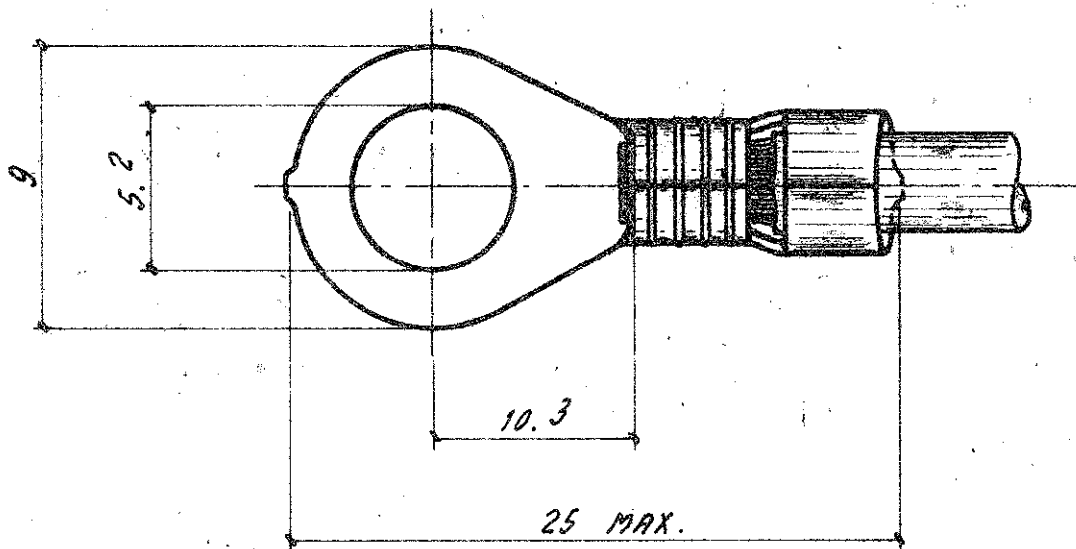


NUMBER  
C-280267



DIMENSIONS IN mm (in) DO NOT SCALE PRINT

**OBSOLETE**

				© 1970 BY AMP INCORPORATED. ALL RIGHTS RESERVED. AMP PRODUCTS COVERED BY PATENTS AND/OR PATENTS PENDING.		<b>CUSTOMER COPY REFERENCE ONLY</b>				
E	Revised E100-0067-01	GS	09/03/01	MATERIAL AND FINISH		<b>AMP</b> AMP - ITALIA CORSO FECHIERA 280/B TORINO - ITALIA				
C	PN 280267-1: OBSOLETE FOR EC E100-0106-96	A.F.	05 MAR 96	OTTONE OTTONE STAGNATO		CLASS				
B	TERMINALE IN PRODUZIONE	Juneo	16-2-72	WIRE RANGE INSULATION		TYPE				
A	FIN ERA 1A-70-506B	Castan	10/12/71	4 - 6 mm <sup>2</sup> 3.8 - 5.3 DIA.		---				
LTR REVISION RECORD			DR	CHK	DATE	TOLERANCE EXCEPT AS NOTED	SCALE	LOC	NO	REV
DR Castan 7 <sup>th</sup> APRIL 70			DE			± 0.4 + 1° 0'	---	I	A	C-280267
CHK Castan APRIL 70			APP			NAME				E

RING TONGUE WITH INS. SUPPORT.