

NOTES:

1.0 MATERIAL:

- 1.1 HOUSING: STAINLESS STEEL PER ASTM-A582 TYPE 303.
- 1.2 DIELECTRIC: PTFE FLUOROCARBON PER MIL-P-19468 AND L-P-403.
- 1.3 CENTER CONTACT: BERYLLIUM COPPER ROD ALLOY C172 PER QQ-C-530

2.0 PLATING:

- 2.1 HOUSING: PASSIVATED PER QQ-P-35 AND MIL-F-14072.
- 2.2 CENTER CONTACT: GOLD PER MIL-G-45204 TYPE II, CLASS 2.

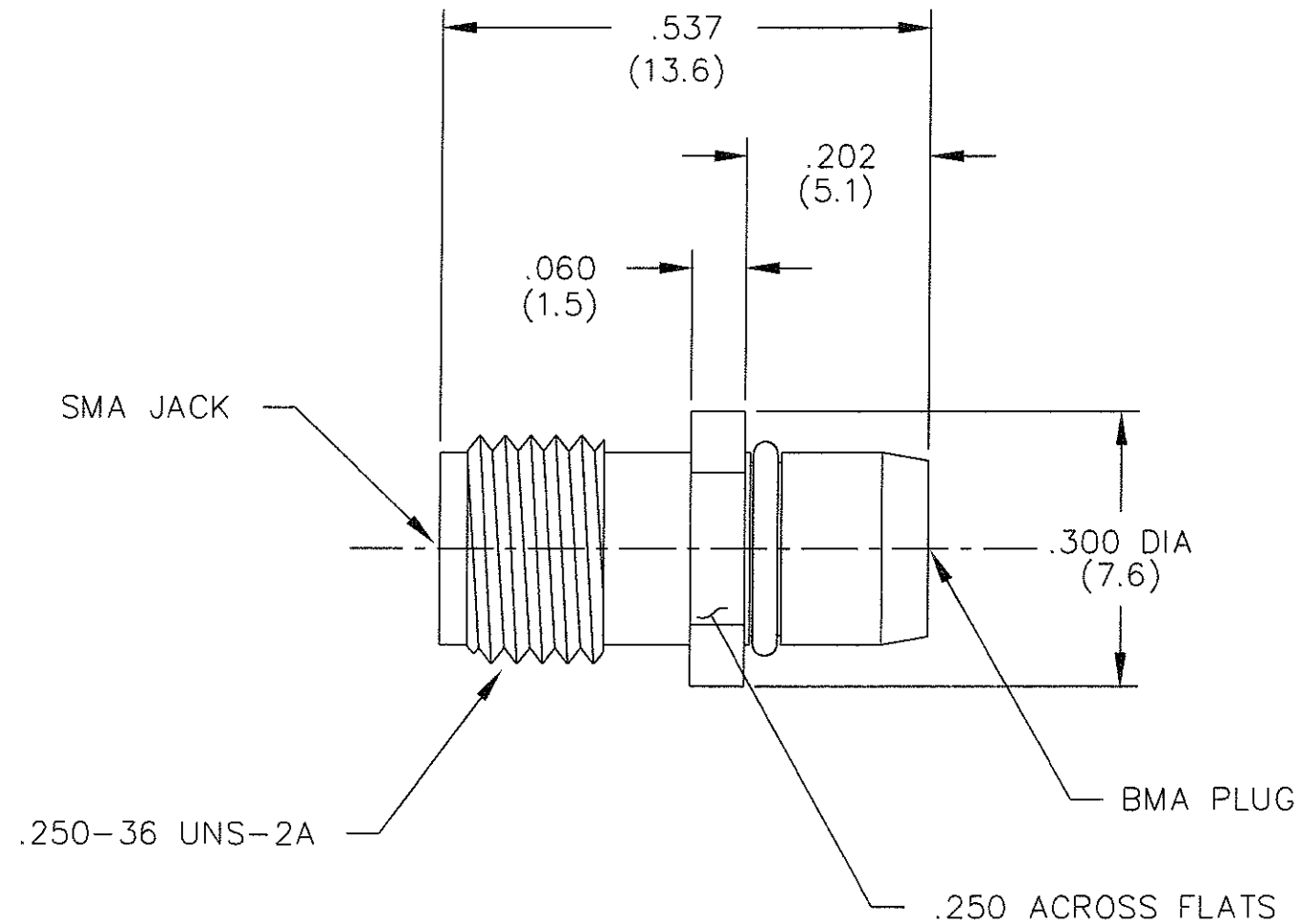
3.0 MECHANICAL:

- 3.1 INTERFACE PER MIL-STD-348 IN ACCORDANCE WITH MIL-C-39012.
- 3.2 CENTER CONTACT CAPTURED IN ACCORDANCE WITH MIL-A-55339.

4.0 DIMENSIONS IN PARENTHESIS ARE MILLIMETERS.

5.0 ELECTRICAL:

- 5.1 FREQUENCY RANGE: DC to 18GHz
- 5.2 MAX V.S.W.R.: 1.05+.005 (GHz)



MODEL NUMBER  
ADT-2769-SF-BMM-02  
REV.  
A

DATE	11/3/00
DESCRIPTION	RELEASED
REV.	A
	ECN 17699

UNLESS OTHERWISE NOTED DIMENSIONS ARE IN INCHES AND TOLERANCES ARE: 3 PLACE DECIMALS ±.005 2 PLACE DECIMALS ±.02 FRACTIONS ±1/64 PARALLELITY: T.I.R. _____ FLATNESS: T.I.R. _____ CONCENTRICITY: T.I.R. _____ ANGLES AND PERPENDICULARITY: ±1°	FSCM NO. <b>34078</b>	<b>MIDWEST MICROWAVE</b>	
	NOTICE: The information contained in this drawing is proprietary and must not be used without the permission of Midwest Microwave		TITLE SMA FEMALE TO BMA MALE ADT
DRAWN/DATE D. SIEWERT 1/29/91	ENG./DATE R. FAWSON 2/4/91	DRAWING NUMBER ADT-2769-SF-BMM-02	
CHECKED/DATE A. BEATTY 2/4/91	APPROVED/DATE T. GORDON 2/5/91	SCALE: 5=1	SHEET 1 of 1