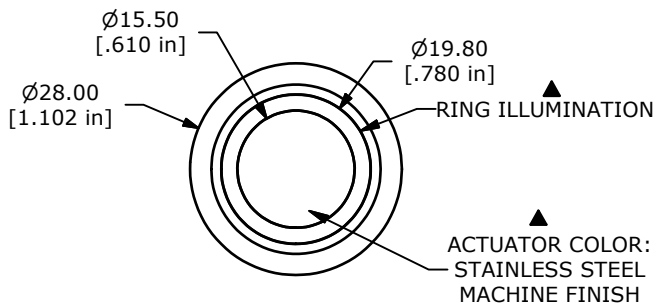


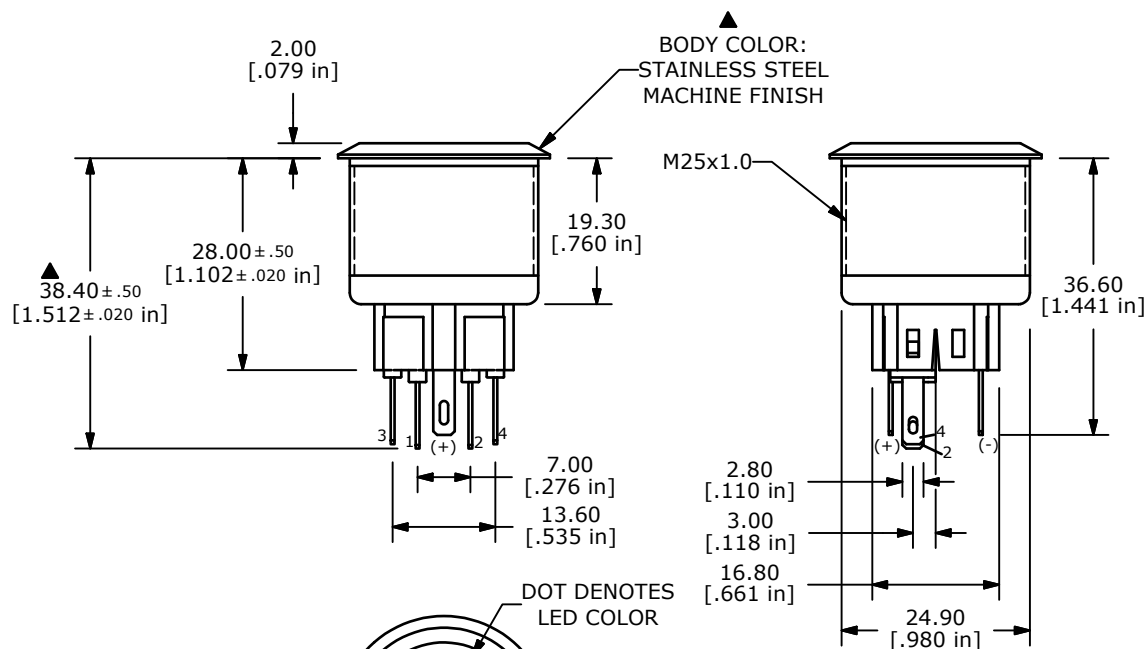
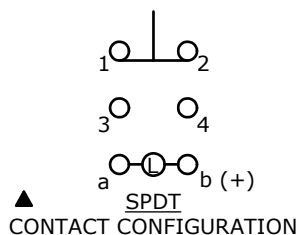
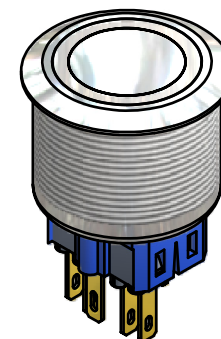
PANEL CUTOUT  
MAX. PANEL THICKNESS 10mm

SWITCH FUNCTION ▲	
POS. 1	POS. 2 (MOM)
1-2	3-4

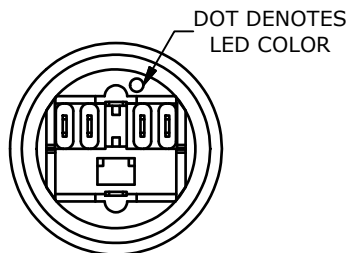
(ON) = MOMENTARY



ACTUATOR COLOR:  
STAINLESS STEEL  
MACHINE FINISH



▲ BODY COLOR:  
STAINLESS STEEL  
MACHINE FINISH



- NOTE:
1. ALL DIMENSIONS IN MM [INCH]
  2. GENERAL TOLERANCE: X.X = ± 0.4  
X.XX = ± 0.25
  3. TERMINAL NOS. FOR REF. ONLY
  4. FUNCTION: SPDT
  5. RATING: 2A @ 48VDC
  6. ILLUMINATION VOLTAGE: 20mA, 2.8V
  7. CONTACT RESISTANCE: 50mΩ MAX. @ 1A 12VDC
  8. INSULATION RESISTANCE: 1,000MΩ @ 500VDC
  9. DIELECTRIC STRENGTH: 2,000VAC MIN. FOR 1 MINUTE
  10. ELECTRICAL LIFE: 50,000 CYCLES
  11. OPERATING TEMPERATURE: -20°C TO 70°C
  12. INGRESS PROTECTION: IP65
  13. ▲ DENOTES CRITICAL PARAMETER
  13. 2002/95/EC (ROHS) COMPLIANT
  - ▲ 14. ILLUMINATION COLOR: BLUE (FORWARD), BLUE (REVERSE)



TITLE PV8F2Y0SS-341

A	20513	RELEASE FOR PRODUCTION	3/7/2012	MM
REV	PCR NO	DESCRIPTION	DATE	BY

THE INFORMATION CONTAINED IN THIS DOCUMENT IS PROPRIETARY TO E-SWITCH AND IS NOT TO BE COPIED OR TRANSFERRED

SCALE	DATE	DR	DWG	REV
1:1	3/7/2012	BGL	52-PV8F2Y0SS341	A