

A

B

C

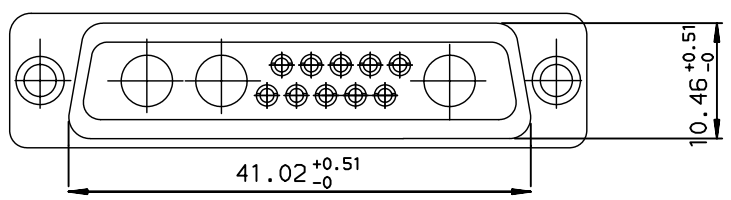
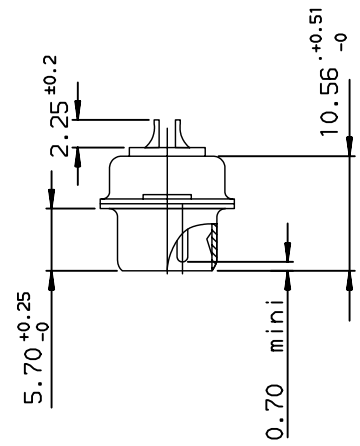
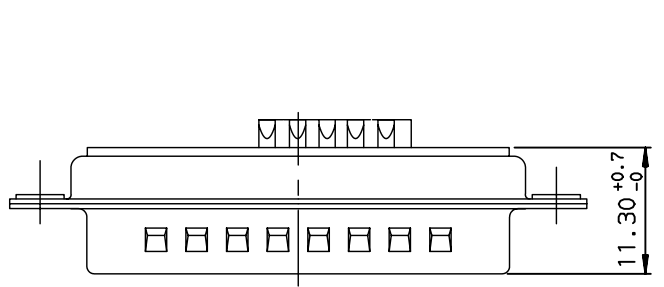
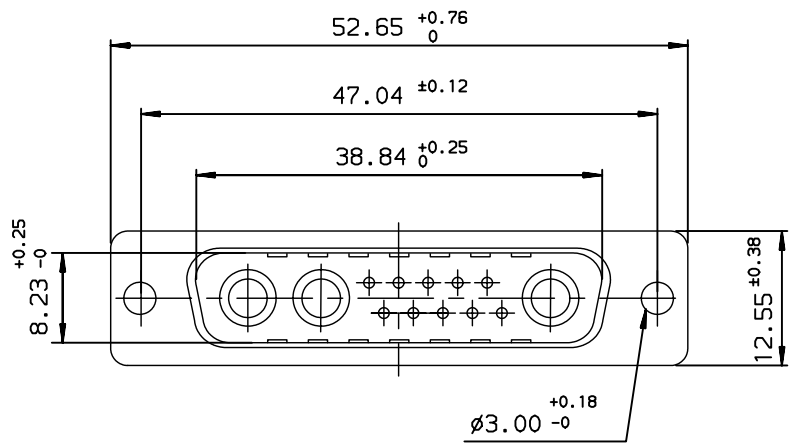
D

A

B

C

D



TIN-LEAD PART NUMBER

DB13W3PA00
PART NUMBER

LEAD FREE PART NUMBER

DB13W3PA00LF
PART NUMBER

GENERAL CHARACTERISTICS AND ROHS INFORMATIONS:
SEE DRAWING C01-8639-0003

European Views

www.fciconnect.com		surface ISO 1302 ✓	tolerance std ISO 406 ISO 1101	projection mm	TOLERANCES UNLESS OTHERWISE SPECIFIED	
Dr	JARRY	1995/01/26	ANGULAR	0.X ±0.1	size	Scale
Eng	PESSON	1995/01/26	LINEAR	0.XX ±0.1	A3	2
Chr	LEGARE	1995/01/26	0.XX' ±2"	0.XXX ±0.1	ECN	LS06-0095
Appr	LEGARE	1995/01/26	Product family	D-SUB	Spec ref	-
				PIN CONNECTOR MARK 1 FOR POWERS title CONTACTS catalog no -		Rev. E
				dwg no C01-8639-0573 CUSTOMER sheet 1 of 1		

rev	ecn no	dr	date
C	-	BAR	2003/10/28
D	LS05-005	MPE	2005/03/14
E	LS06-0095	LGO	2006/07/21
-	-	-	-
-	-	-	-
-	-	-	-



Copyright FCI.