

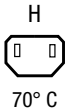
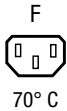
IEC Appliance Outlet F or H, Screw-on Mounting, Front Side, Solder, PCB or Quick-connect Terminal



Flange with countersunk holes



Flange with through holes special type

**Description**

- Panel Mount :  
Screw-on mounting , from front side
- 1 Function :

- Connector , Pin temperature 70 °C , protection class I or II ,
- Solder, Quick Connect or PCB Terminal

**Approvals**

- VDE Certificate Number: 40010295
- UL File Number: E57445
- CSA File Number: 27324

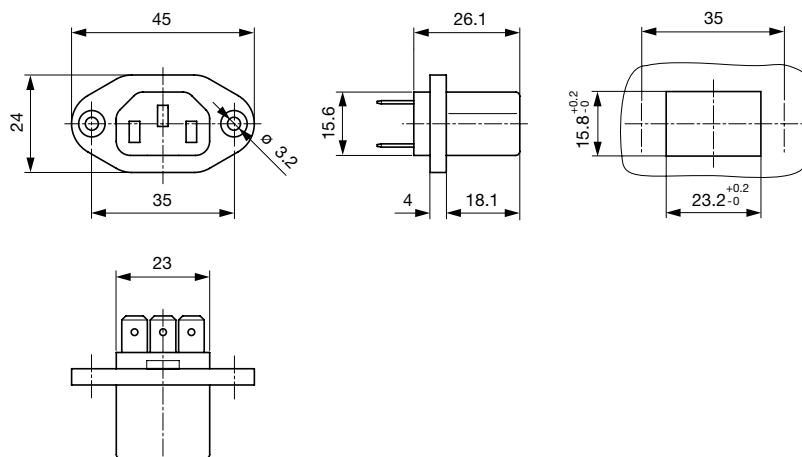
**Weblinks**

[pdf datasheet](#), [html-datasheet](#), [General Product Information](#), [RoHS](#), [CHINA-RoHS](#), [REACH](#), [Distributor-Stock-Check](#), [Accessories](#), [Detailed request for product](#)

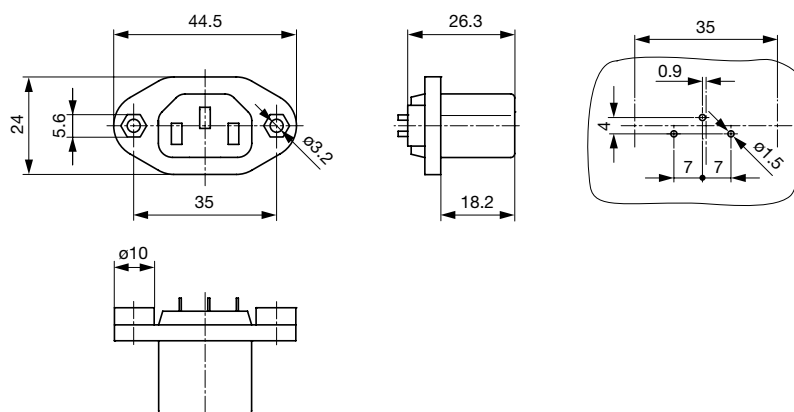
**Technical Data**

|                                 |   |
|---------------------------------|---|
| Ratings IEC                     | 10A / 250VAC; 50Hz  |
| Ratings UL/CSA                  | 15A / 250VAC; 60Hz  |
| Dielectric Strength             | > 4kVAC between L-N<br>> 2kVAC between L/N-PE<br>(1 min/50Hz)           |
| Allowable Operation Temperature | -25 °C to 70 °C   |
| IP-Protection                   | from front side IP 20 acc. to IEC 60529                                 |
| Insulation cover                | Suitable for appliances with protection class I or II acc. to IEC 61140 |
| Terminal                        | Solder, Quick Connect or PCB Terminal straight                          |
| Material: Housing               | PA6, black or grey, UL 94V-0  |

Detailed information on product approvals, code requirements, usage instructions and detailed test conditions can be looked up in [General Product Information](#)

**Dimensions**

Flange with countersunk holes



Flange with through holes special type

**Config. Code**

5091 - H - A B C 0 - D - E O

The characters are placeholders for the correspondingly keys of selections from the key tables.

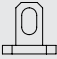


5091 - H - A B C 0 - D - E O = Type

| Type                | Configuration key |
|---------------------|-------------------|
| protection class II | B                 |
| protection class I  | X                 |

| Terminal Ground                                    | Configuration key |
|--|-------------------|
| without terminal                                   | 0                 |
| solder terminal                                    | 1                 |
| PCB-terminal standard (additional solder terminal) | 4                 |
| Blade terminal (6.3 x 0.8 mm)                      | 9                 |

Symbols similar as in table A

5091 - H - A B C 0 - D - E O = Terminals

| Terminal L   | Configuration key |
|--|-------------------|
| solder terminal                                     | 1                 |
| PCB-terminal standard (additional solder terminal)  | 4                 |
| Blade terminal (6.3 x 0.8 mm)                       | 9                 |

5091 - H - A B C 0 - D - E O = Color

| Color | Configuration key |
|-------|-------------------|
| Black | A                 |
| Grey  | B                 |

5091 - H - A B C 0 - D - E O = Style

| Style                                    | Configuration key |
|--|-------------------|
| flange with countersunk holes            | 1                 |
| flange with through holes                | 2                 |
| flange with through holes (special type) | 7                 |

5091 - H - A B C 0 - D - E O = Terminals

| Terminal N   | Configuration key |
|--|-------------------|
| solder terminal                                    | 1                 |
| PCB-terminal standard (additional solder terminal) | 4                 |
| Blade terminal (6.3 x 0.8 mm)                      | 9                 |

Symbols similar as in table A

5091 - H - A B C 0 - D - E O = Features

| Features  | Configuration key |
|---|-------------------|
| not used  | 0                 |
| dead cover  | 1                 |
| holder for 1 fuse (text legible, when inlet on top)       | 2                 |
| holder for 1 fuse (text legible, when inlet on bottom)    | 3                 |
| holder for 1 or 2 fuses (text legible, when inlet on top) | 4                 |

| Features   | Configuration key | Features                                      | Configuration key |
|--|-------------------|---|-------------------|
| holder for 1 or 2 fuses (text legible, when inlet on bottom) | 5                 | thermal circuit breaker for rated current 8A  | C                 |
| voltage selector with 1 fuse                                 | 6                 | thermal circuit breaker for rated current 10A | D                 |
| voltage selector with 2 fuses                                | 7                 | thermal circuit breaker for rated current 15A | E                 |
| thermal circuit breaker for rated current 4A                 | A                 | thermal circuit breaker for rated current 20A | F                 |
| thermal circuit breaker for rated current 6A                 | B                 |   |                   |

### All Variants

| Type               | Terminals L / N                                    | Terminal Ground                                    | Color | Style                                    | Features | Config. Code    | Order Number |
|--------------------|--|--|-------|--|----------|-----------------|--------------|
| protection class I | solder terminal                                    | solder terminal                                    | Grey  | flange with countersunk holes            | -        | 5091-X-1110-B-1 | 6182.0002    |
| protection class I | PCB-terminal standard (additional solder terminal) | PCB-terminal standard (additional solder terminal) | Black | flange with through holes (special type) | -        | 5091-X-4440-A-7 | 6182.0004    |
| protection class I | PCB-terminal standard (additional solder terminal) | PCB-terminal standard (additional solder terminal) | Grey  | flange with through holes (special type) | -        | 5091-X-4440-B-7 | 6182.0005    |
| protection class I | Blade terminal (6.3 x 0.8 mm)                      | Blade terminal (6.3 x 0.8 mm)                      | Black | flange with countersunk holes            | -        | 5091-X-9990-A-1 | 6182.0006    |
| protection class I | Blade terminal (6.3 x 0.8 mm)                      | Blade terminal (6.3 x 0.8 mm)                      | Grey  | flange with countersunk holes            | -        | 5091-X-9990-B-1 | 6182.0008    |

The listed variants should be available from stock Other versions on request [www.schurter.com/contact](http://www.schurter.com/contact)

Most Popular.

Availability for all products can be searched real-time: <http://www.schurter.com/en/Stock-Check/Stock-Check-SCHURTER>

**Packaging unit** 100 Pcs

### Mating Inlets/Plugs

#### Category / Description

#### Appliance Inlet Overview complete



|  |        |
|--|--------|
| 6100-3, Mounting: Screw, Solder terminals or quick connect terminals, Appliance Inlet: IEC C14   | 6100-3 |
| 6100-4, Mounting: Snap-in, Solder terminals or quick connect terminals, Appliance Inlet: IEC C14 | 6100-4 |
| G-Stecker, Mounting: Appliance Inlet : IEC C14 Without fuse holder                               | 6150   |
| 6010, Mounting: Snap-in, Solder, quick-connect, screw, PCB, Appliance Inlet: IEC C14             | 6010   |
| 0711, Mounting: Snap-in, 0.8 mm, Solder, Appliance Inlet: IEC C14                                | 0711   |
| <a href="#">Appliance Inlet further types to 5091</a>  | ...    |

#### Distribution Unit Overview complete



|  |      |
|--|------|
| Distribution Unit for Snap-in Mounting with 1 IEC Appliance Inlet C14 and 1 Appliance Outlet F                         | 0712 |
| Distribution Unit with 1 IEC Appliance Inlet C14 and 2 Appliance Outlets F, Shuttered                                  | 4741 |
| Distribution Unit with 1 IEC Appliance Inlet C14 and 4 Appliance Outlets F   | 4747 |
| Distribution Unit with 1 IEC Appliance Inlet C14 or Power Cord, 4, 5 or 6 IEC Appliance Outlets F and Extra Components | 4740 |
| EMC Power Strip with Line Filter   | FLBB |

[Distribution Unit further types to 5091](#)

#### IEC Inlet Filter Overview complete



|   |      |
|---|------|
| GRF2, Mounting: Rear Side, With EMC-shield and without line filter, 10 A, Plug Connector, Appliance Inlet: IEC C14, Suitable for appliances with protection class I                                   | GRF2 |
| 5110, Mounting: Screw, Front Side, Filter: Standard and Medical Version, Without fuse holder: 10 A, Thermoplastic Appliance Inlet: IEC C14, prewired, Suitable for appliances with protection class I | 5110 |
| KFS, Mounting: Screw, Front Side, Filter: Standard Version, Without fuse holder: 10 A, Appliance Inlet: IEC C14, pre-wired  | KFS  |

[IEC Inlet Filter further types to 5091](#)

## Category / Description

[Power Entry Module Overview complete](#)

DC11, Mounting: Screw, Rocker switch: non-illuminated or illuminated 1 or 2 pole, Quick connect terminals 4.8 x 0.8 mm, Appliance Inlet: IEC C14, Without fuse holder: Suitable for appliances with protection class I or II

DC11

KEB1, Mounting: Screw, Quick connect terminals 4.8 x 0.8 mm, Without fuse holder: Rocker switch, non-illuminated or illuminated, red, 1-pole, Appliance Inlet: IEC C14, 250 VAC, prewired, Suitable for appliances with protection class I

KEB1

KEB2, Mounting: Screw, Quick connect terminals 4.8 x 0.8 mm, Without fuse holder: Rocker switch, non-illuminated or illuminated, 2-pole, Appliance Inlet: IEC C14, 250 VAC, prewired, Suitable for appliances with protection class I

KEB2

DC21, Mounting: Screw Rear Side, Rocker switch: non-illuminated or illuminated 2-pole, Quick connect terminals 4.8 x 0.8 mm Appliance Inlet: IEC C14, Without fuse holder:

DC21

DD11, Mounting: Screw-on mounting, Rocker switch: non-illuminated or illuminated 2-pole, Quick connect terminals 4.8 x 0.8 mm, Appliance Inlet: IEC C14, With or without protection cover, Fuse holder: 1 or 2 pole, Suitable for appliances with protection class I

DD11

[Power Entry Module further types to 5091](#)

...

[Power Entry Module with line filter Overview complete](#)

KFB1, Mounting: Screw, Front Side, Filter: Standard Version, Without fuse holder: 10 A, Rocker switch: 1-pole, Appliance Inlet: IEC C14, prewired

KFB1

KFB2, Mounting: Screw, Front Side, Filter: Standard and Medical Version, Without fuse holder: 10 A, Rocker switch: 2-pole, Appliance Inlet: IEC C14, prewired

KFB2

DC12, Mounting: Screw, Front-/Rear-Side, Filter, Standard and Medical Version, Without fuse holder: 10 A, Rocker switch: 1 or 2 pole, non-illuminated or illuminated Appliance Inlet: IEC C14, prewired

DC12

DC22 Mounting: Screw, Rear Side, PCB, 10 A, Filter: Standard and Medical Version, Without fuse holder: Rocker switch: 1 or 2 pole, non-illuminated or illuminated, Appliance Inlet: IEC C14, Suitable for appliances with protection class I

DC22

DD12, Mounting: Screw-on mounting, Front Side, Filter, Standard and Medical Version, Fuse holder: 1 or 2 pole, 10 A, Rocker switch: 2-pole, non-illuminated Appliance Inlet: IEC C14, prewired

DD12

[Power Entry Module with line filter further types to 5091](#)

...