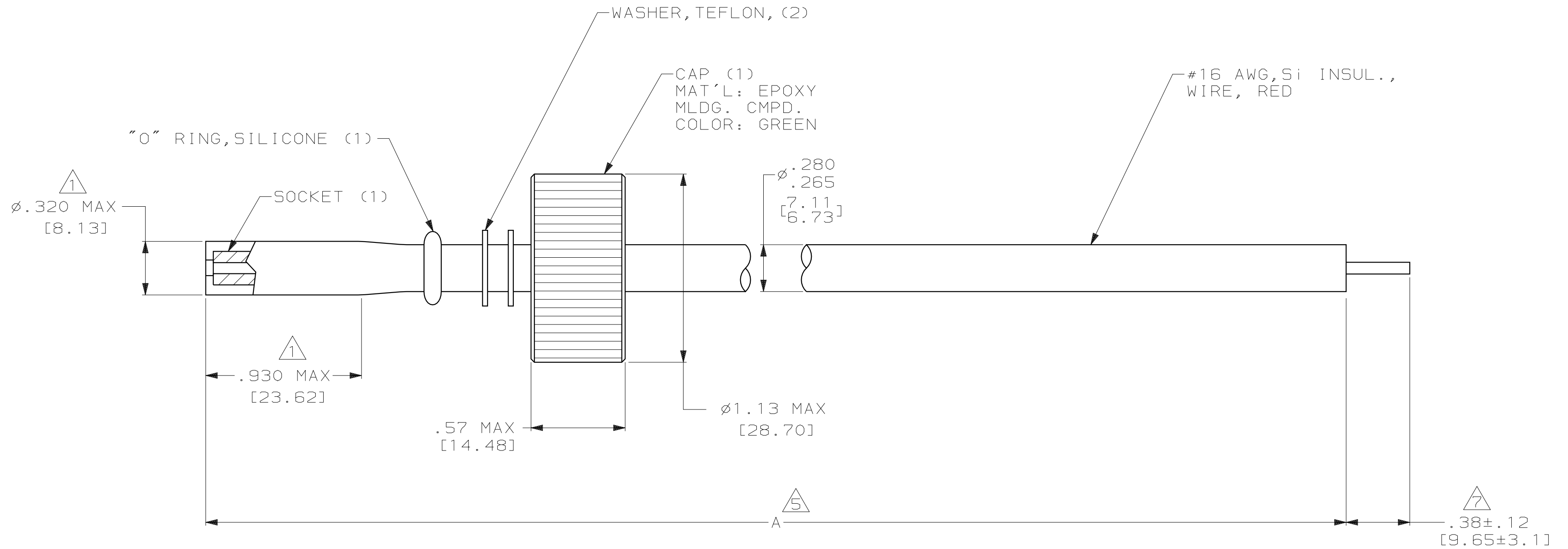


PROD CODE	LOC	DIST	P	F	ZONE	LTR	DESCRIPTION	DATE	APPD
4089	DF	50				B	REV & REDRAWN PER DF-2034	CCT	-



- 1. $\phi .320$ MAX DIMENSION HELD OVER THE $.930$ MAX AREA ONLY.
- 2. MARKED PER MIL-STD-130.
- 3. DIMENSIONS IN BRACKETS ARE IN MILLIMETERS. METRIC EQUIVALENTS ARE BASED UPON 1.00 INCH = 25.4 mm.
- 4. LEADS WILL MATE WITH AMP LGH-3 RECEPTACLES.
- 5. TOLERANCE OF LEAD LENGTH:
 UP TO 24 INCHES [609.6] = $\pm .12$ [± 3.1]
 24 INCHES [609.6] & UP = $\pm 1\%$
- 6. OPERATING VOLTAGE: 40 KVDC AT 0 TO 70,000 FEET, -55°C TO 125°C .
- 7. PIGTAIL IS SOLDER DIPPED.

8.00 [203.2]	867947-2
12.00 [304.8]	867947-1
5 A DIM	PART NO

DO NOT SCALE PRINT. UNLESS SPECIFIED DIMENSIONS IN INCHES [mm] TOLERANCES ON:		DR 10-4-89 C.C. THOMAS	
2 PLC DEC \pm -		CHK -	AMP AMP INCORPORATED Harrisburg, Pa. 17105
3 PLC DEC \pm -		APPD -	
ANGLES \pm -		APPD -	
MATERIAL SEE CALLOUTS		PRODUCT SPEC -	NAME LEAD ASS'Y, SGL. END LGH-3 (RED)
FINISH -		APPLICATION SPEC -	SIZE C
		WEIGHT -	FSCM NO 00779
			DRAWING NO 867947
		SCALE 2:1	SHEET 1 OF 1