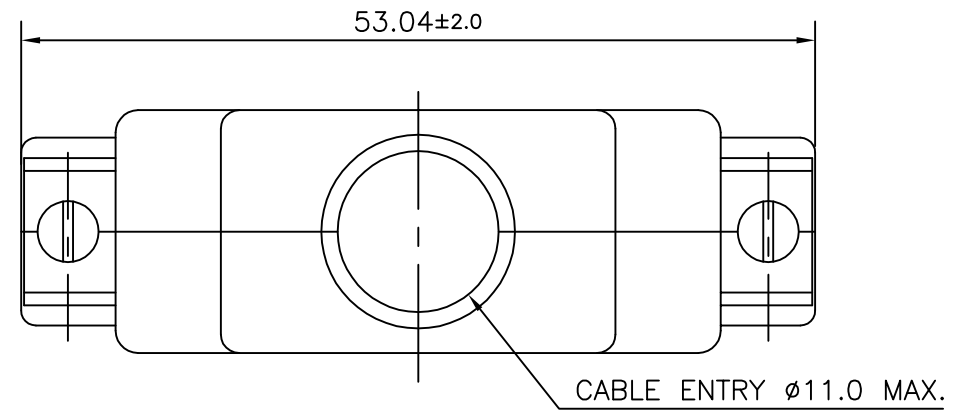
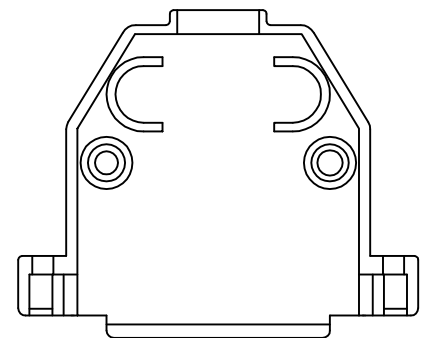


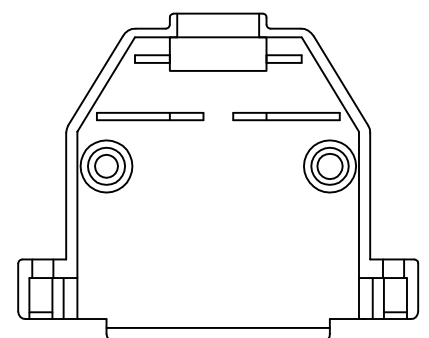
2	8630-CH25UNCLF	UNC 440
1	8630-CH25M3LF	M3
SL.NO.	PART NO:	THREAD



HOOD INTERNAL VIEW

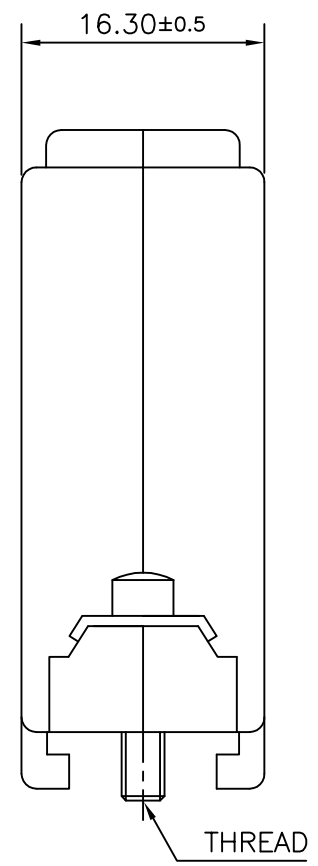
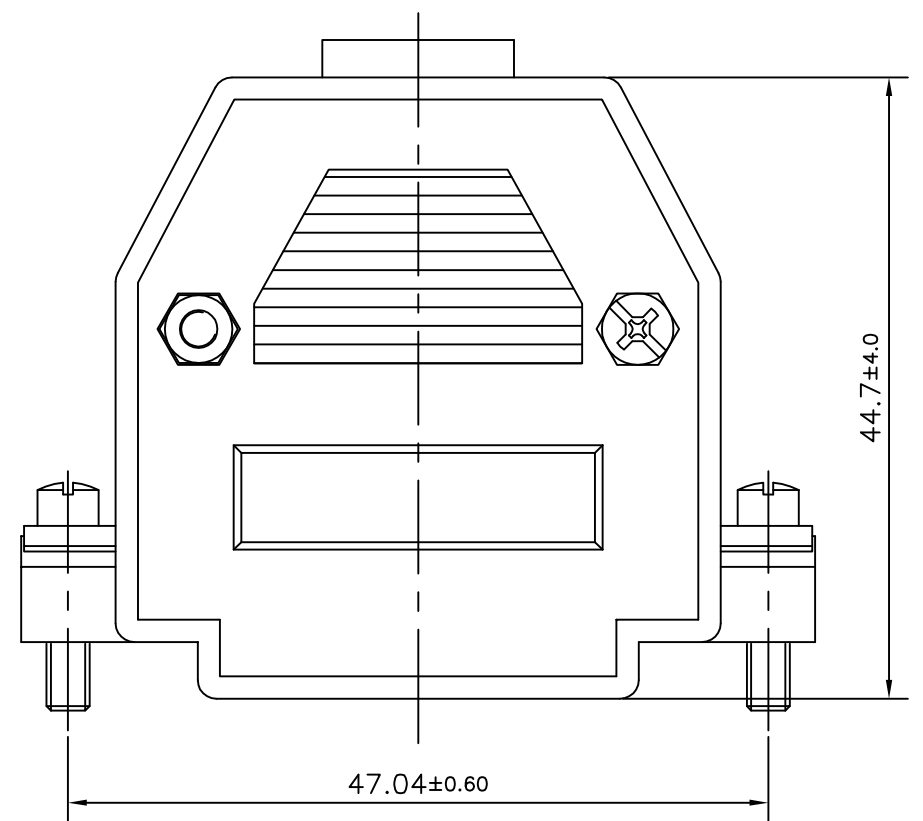


OPTION 1*



OPTION 2*

* Hood can be of either Option 1 or Option 2



Amphenol FCI

© 2016 AFCl

"This LF product meets European Union Directives and other country regulations as described in GS-47-0004"
Packaging as per GS-14-920

MATERIALS:
1.ABS UNFILLED UL 94 HB (STANDARD)
2.TEMP RANGE -55°C TO +85°C

mat'l. code		surface ISO 1302 ✓		tolerance ISO 406 ISO 1101		projection MM		product family D-SUB	
ltr		ecn no	dr	date		tolerances unless otherwise specified		title	
E	I06-0074	MINI		2006/06/08		angles linear		CONNECTOR HOOD	
F	I10-0122	AMR		2010/05/29		linear .00±0.1		25 POSITION	
G	I10-0231	AMR		2010/11/27		0°±1°		scale NTS	
H	ELX-I-15622	MP		2013/08/24		dr		MINI K VANDANATH 1995/24/03	
J	ELX-I-21747	MP		2015/08/22		engr		MITHUN PAUL 2016-11-25	
K	ELX-I-25452	GREGAR		2016-11-25		chr		GREGAR MATHEW 2016-11-25	
						appd		BIJU K PAUL 2016-11-25	
sheet index		revision sheet		K 1				dwg no C-DSUB-0024	
								sheet 1 of 1 size A3	
								type Product Customer Drawing	