

THE INFORMATION CONTAINED HEREIN IS CONSIDERED "PROPRIETARY" TO BEL FUSE INC. AND SHALL NOT BE COPIED, REPRODUCED OR DISCLOSED WITHOUT THE WRITTEN APPROVAL OF BEL FUSE INC.

LED1 POLARITY			LED2 POLARITY		
PIN 13	PIN 14	COLOR	PIN 15	PIN 16	COLOR
+	-	YELLOW	+	-	YELLOW
-	+	GREEN	-	+	GREEN



ELECTRICAL CHARACTERISTICS @ 25°C

URNS RATIO

TP1	1CT : 1CT ±2%
TP2	1CT : 1CT ±2%
TP3	1CT : 1CT ±2%
TP4	1CT : 1CT ±2%

DCL @ 100kHz/100mVRMS

8mA DC BIAS 350µH MIN.

INS. LOSS

0.1MHz TO 1MHz	-1.1 dB MAX
1MHz TO 65MHz	-0.5 dB MAX
65MHz TO 100MHz	-0.8 dB MAX
100MHz TO 125MHz	-1.2 dB MAX

RET. LOSS (MIN) @ 100 ΩHMS ±15%

0.5MHz-40MHz	-18 dB
40MHz-100MHz	-12+20LOG(f/80MHz) dB

CM TO CM REJ

100kHz - 100MHz -30 dB MIN

CM TO DM REJ

100kHz - 100MHz -35 dB MIN

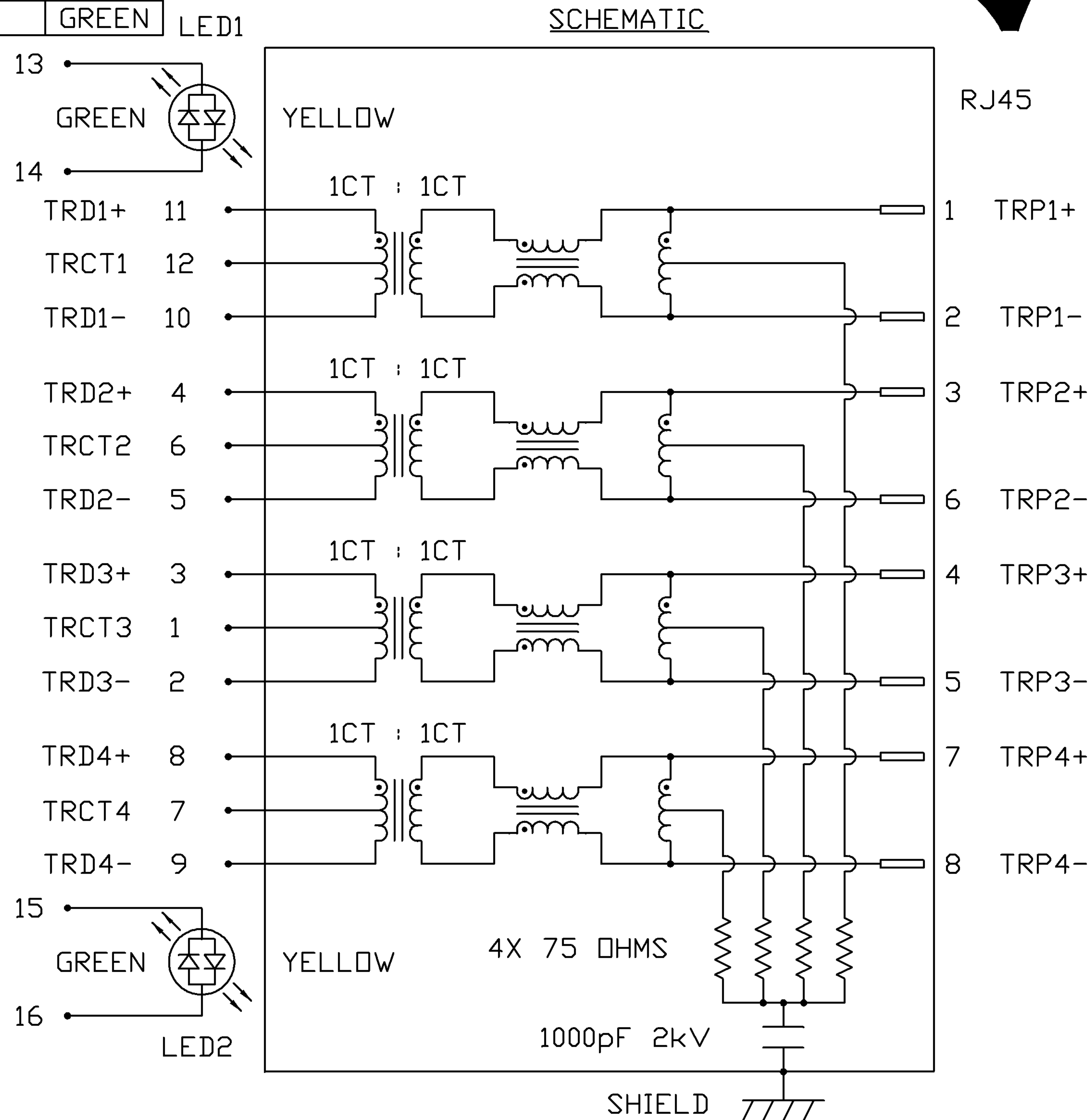
HIPOT (Isolation Voltage):

1500 Vrms or 2250 VDC

100% OF PRODUCTION TESTED TO COMPLY WITH IEEE 802.3 ISOLATION REQUIREMENTS.

LED 1 & LED 2

VF (FORWARD VOLTAGE)	IF=20mA	GREEN	2.2V TYP.
		YELLOW	2.1V TYP.
λD (DOMINANT WAVELENGTH)	IF=20mA	GREEN	565nm TYP.
		YELLOW	590nm TYP.

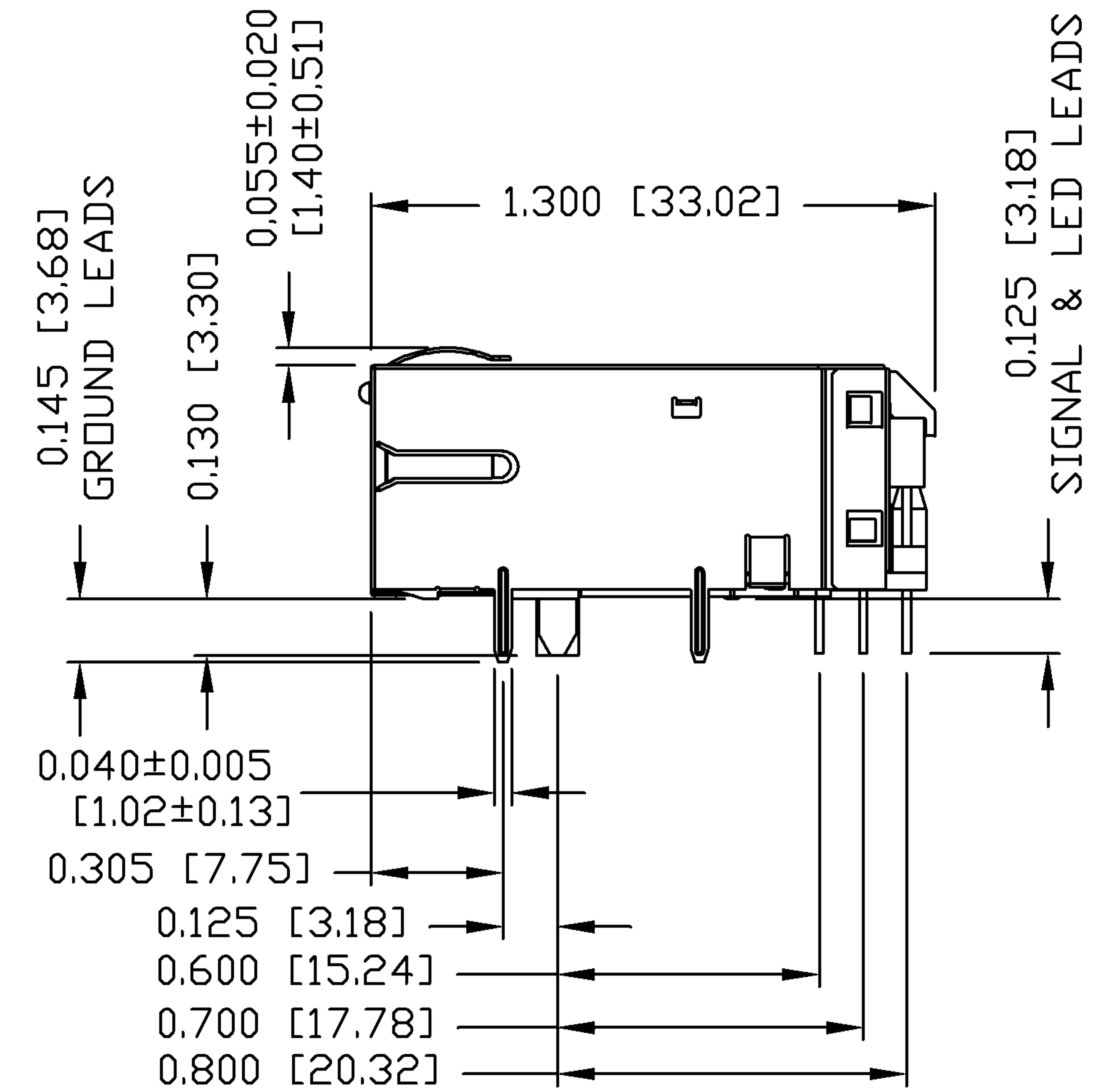
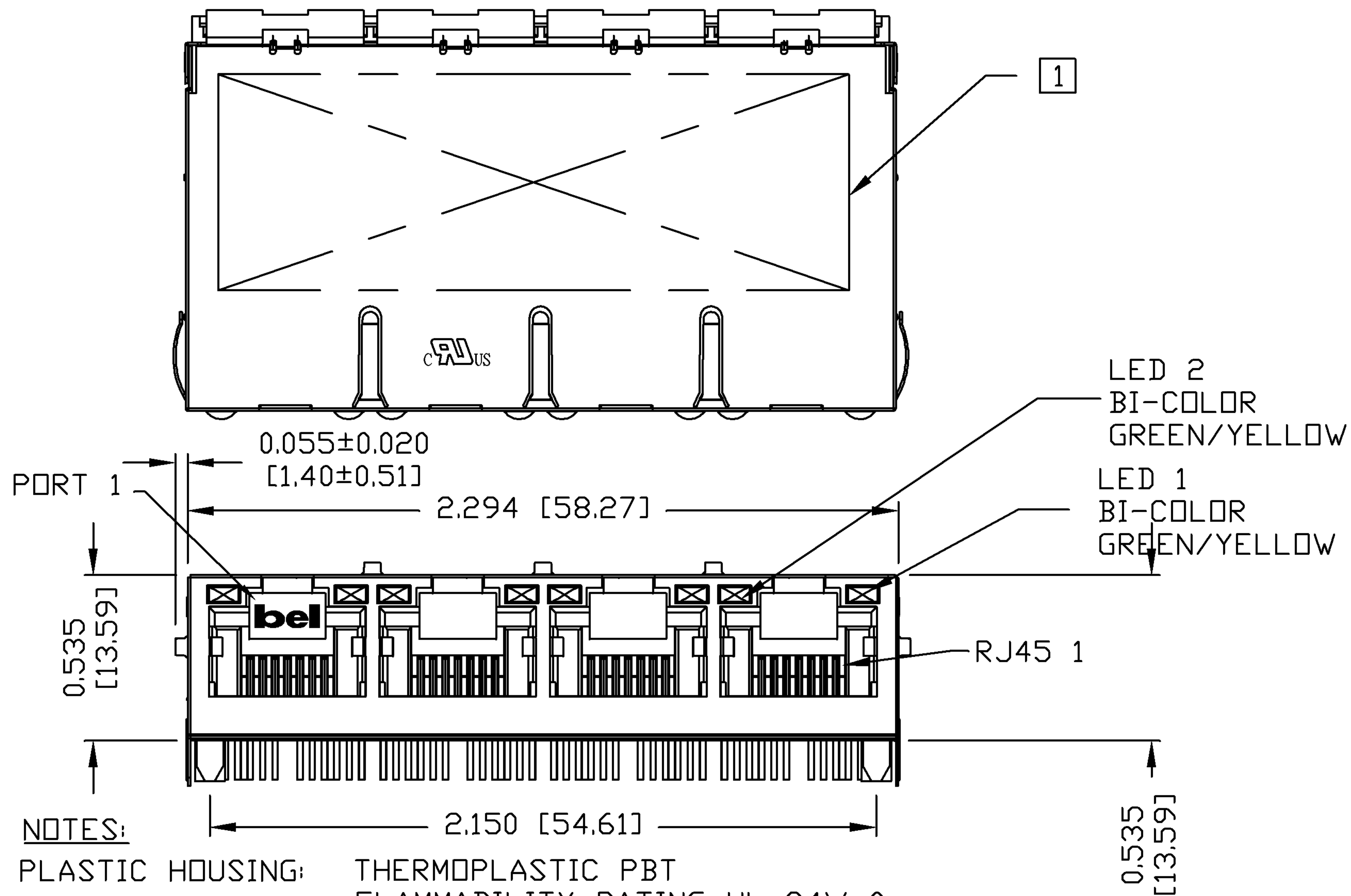
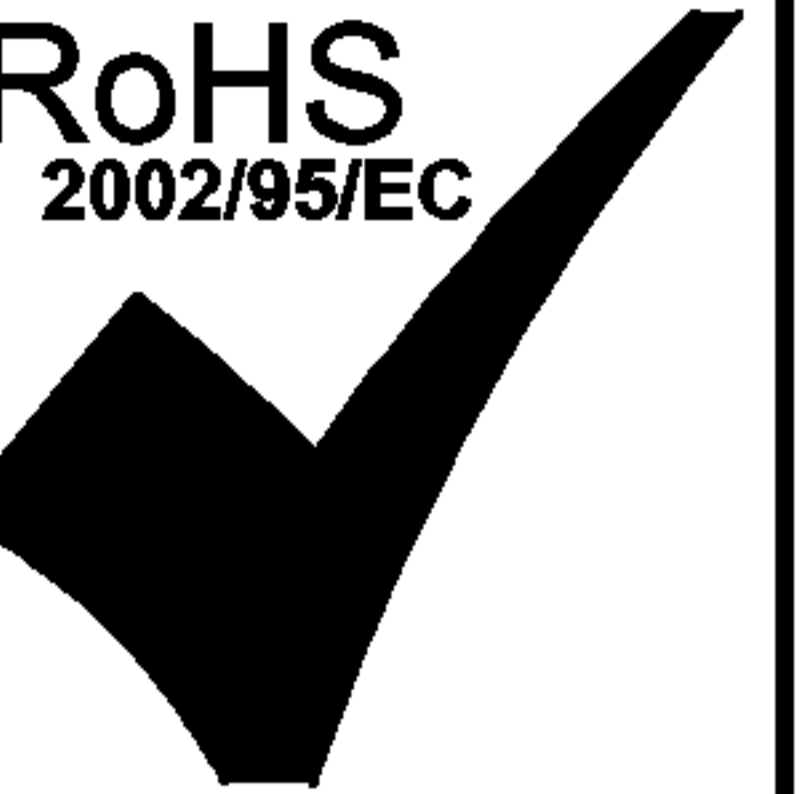


ORIGINATED BY	DATE	TITLE	PART NO. / DRAWING NO.	STANDARD DIM. TOL. IN INCH	[] METRIC DIM. AS REFERENCE
CHOW WANCHUNG	08-06-08	1X4 gigabit MagJack® (12 cores, Tab Up)	08261C4T23-F	.X	UNIT : INCH [mm] REV. : B
DRAWN BY	DATE		FILE NAME	.XX	SCALE : N/A SIZE : A4
WEIDE LEE	08-06-08	0826-1C4T-23-F	08261C4T23-F_B.DWG	.XXX	PAGE : 2



THE INFORMATION CONTAINED HEREIN IS CONSIDERED "PROPRIETARY" TO BEL FUSE INC. AND SHALL NOT BE COPIED, REPRODUCED OR DISCLOSED WITHOUT THE WRITTEN APPROVAL OF BEL FUSE INC.

RoHS
2002/95/EC

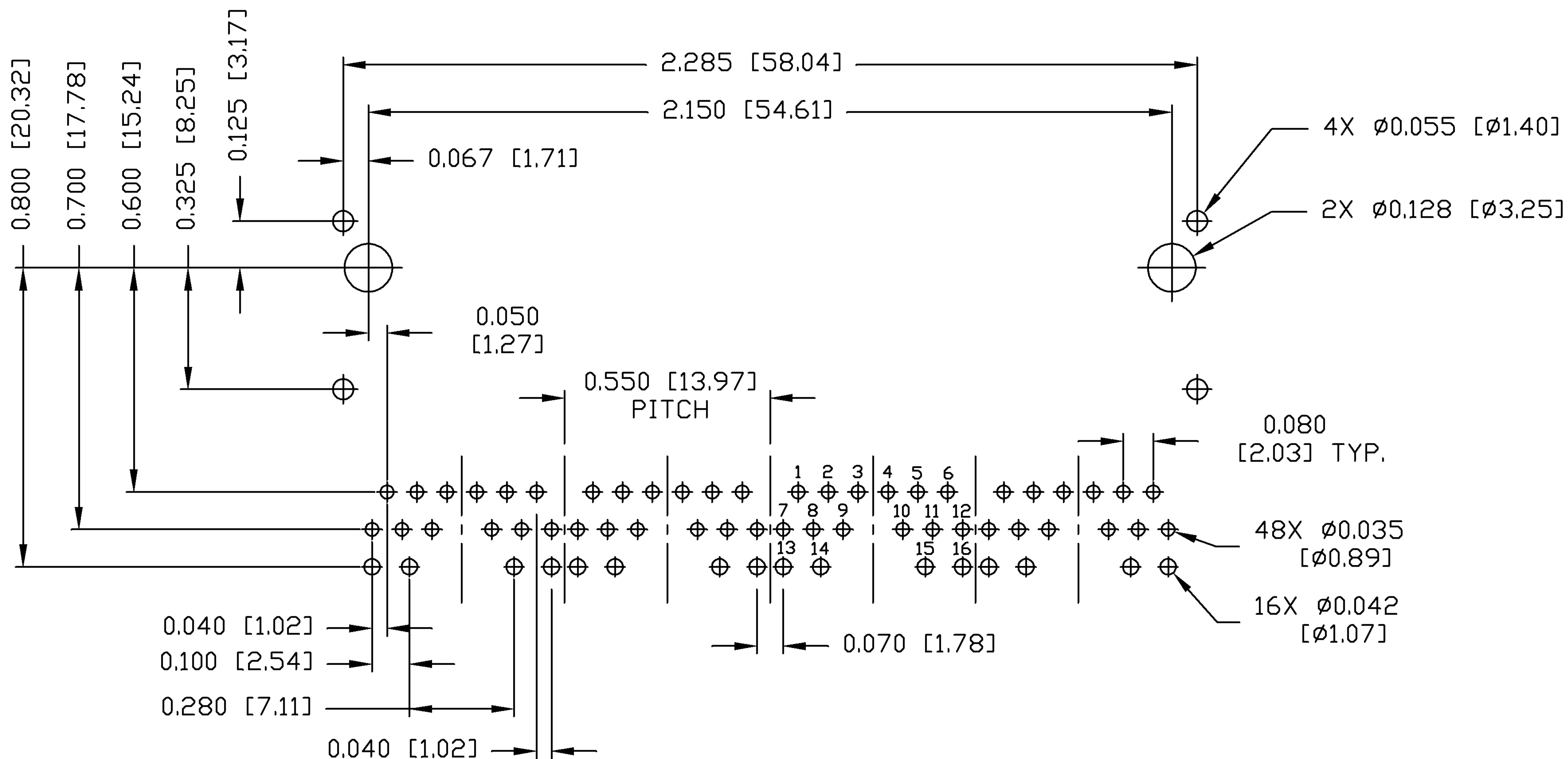
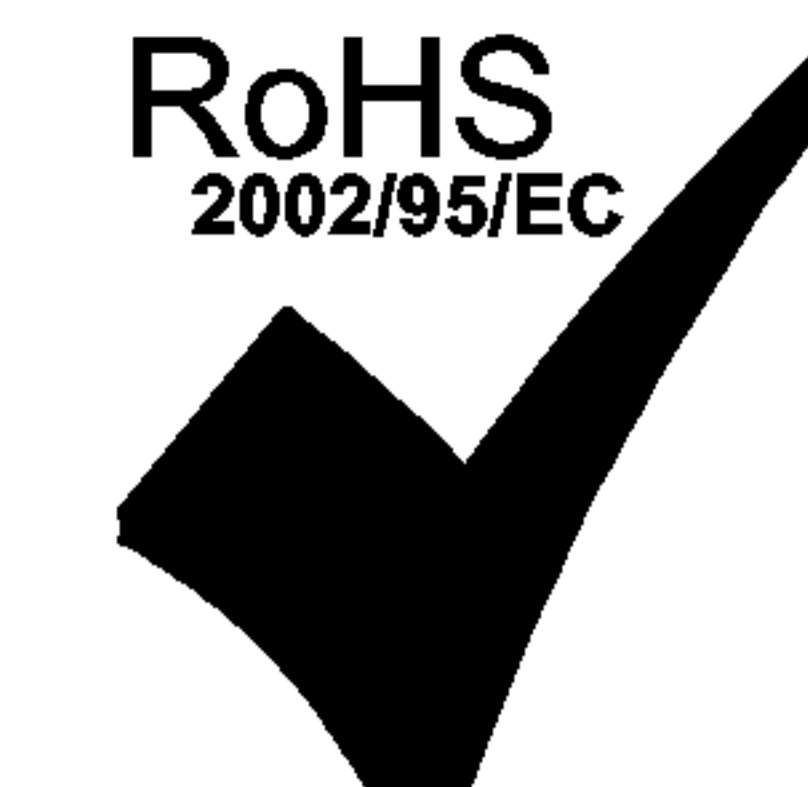


NOTES:
 PLASTIC HOUSING: THERMOPLASTIC PBT
 FLAMMABILITY RATING UL 94V-0
 CONTACTS PLATING: 50 MICRO-INCH HARD GOLD PLATING
 PINS: TIN-COATED COPPER WIRE, DIA 0.018 INCH.
 METAL SHIELD: NICKEL PLATED ON COPPER ALLOY.
 (ALL GROUND LEADS ARE SOLDER DIPPED)
 1 MARK PART WITH MFG LOGO, MFG NAME, PART NUMBER AND DATE CODE.
 2. RoHS COMPLIANCE, PER EU DIRECTIVE 2002/95/EC.
 JACK CAVITY CONFORMS TO FCC RULES AND REGULATIONS.
 c US UL RECOGNIZED - FILE #E196366 AND E169987.

ORIGINATED BY ZX HUANG	DATE 08-06-08	TITLE 1X4 gigabit MagJack® (12 cores, Tab Up) 0826-1C4T-23-F	PART NO. / DRAWING NO. 08261C4T23-F	STANDARD DIM. TOL. IN INCH	[] METRIC DIM. AS REFERENCE	 COMPONENTS FOR A CONNECTED PLANET
DRAWN BY BL CHEN	DATE 08-06-08		FILE NAME 08261C4T23-F_B.DWG	.X .XX .XXX	UNIT : INCH [mm] SCALE : N/A	
				±0.010		

THE INFORMATION CONTAINED HEREIN IS CONSIDERED "PROPRIETARY" TO BEL FUSE INC. AND SHALL NOT BE COPIED, REPRODUCED OR DISCLOSED WITHOUT THE WRITTEN APPROVAL OF BEL FUSE INC.

RoHS
2002/95/EC

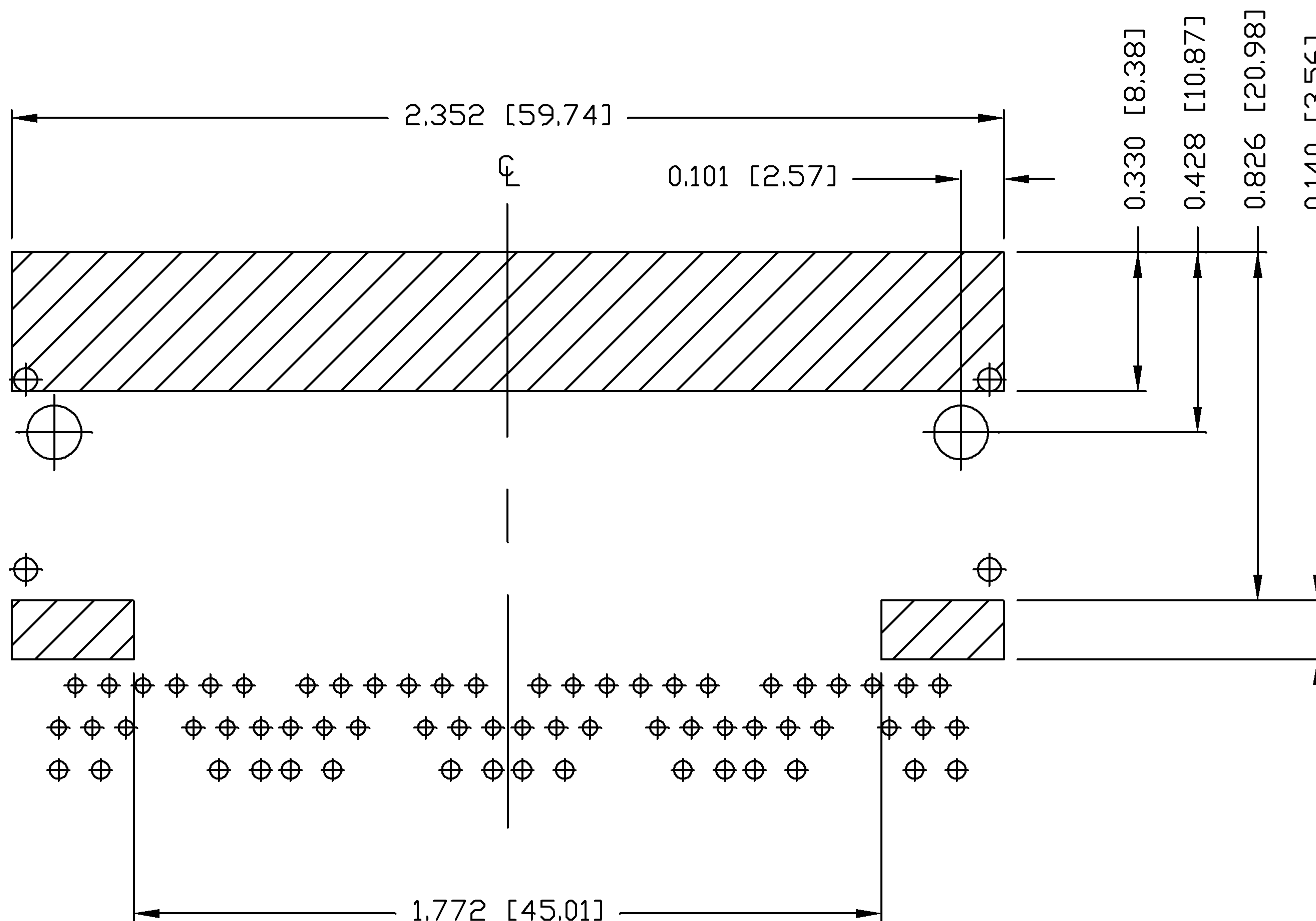


RECOMMENDED PCB FOOTPRINT
COMPONENT SIDE VIEW

ORIGINATED BY ZX HUANG	DATE 08-06-08	TITLE 1X4 gigabit MagJack® (12 cores, Tab Up) 0826-1C4T-23-F	PART NO. / DRAWING NO. 08261C4T23-F		STANDARD DIM. TOL. IN INCH		[] METRIC DIM. AS REFERENCE		 COMPONENTS FOR A CONNECTED PLANET
	DRAWN BY BL CHEN		DATE 08-06-08	FILE NAME 08261C4T23-F_B.DWG	.X		UNIT : INCH [mm]	REV. : B	
				.XX		SCALE : N/A	SIZE : A4		
				.XXX	±0.004		PAGE : 4		

THE INFORMATION CONTAINED HEREIN IS CONSIDERED "PROPRIETARY" TO BEL FUSE INC. AND SHALL NOT BE COPIED, REPRODUCED OR DISCLOSED WITHOUT THE WRITTEN APPROVAL OF BEL FUSE INC.

RoHS
2002/95/EC



NOTES:

THE SHADED AREA ON THE CUSTOMER BOARD ARE RECOMMENDED TO BE CLEAR OFF ANY VIA HOLE OR COMPONENT PAD.

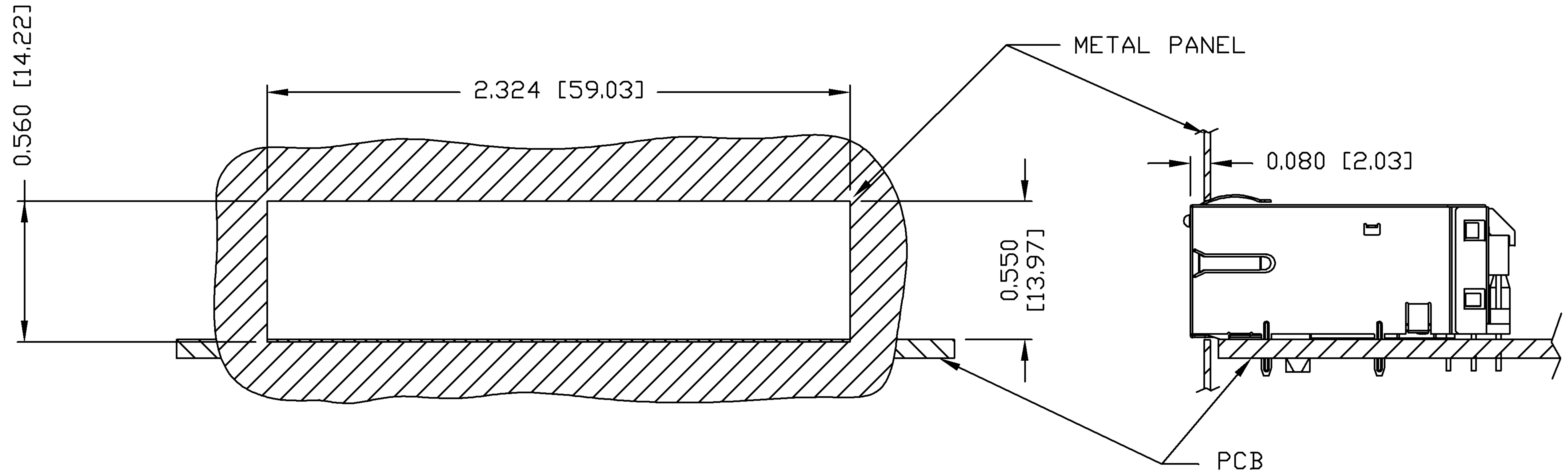
ORIGINATED BY ZX HUANG	DATE 08-06-08	TITLE 1X4 gigabit MagJack® (12 cores, Tab Up) 0826-1C4T-23-F	PART NO. / DRAWING NO. 08261C4T23-F	STANDARD DIM. TOL. IN INCH	[] METRIC DIM. AS REFERENCE	 COMPONENTS FOR A CONNECTED PLANET
DRAWN BY BL CHEN	DATE 08-06-08		FILE NAME 08261C4T23-F_B.DWG	.X	UNIT : INCH [mm]	
			.XX	SCALE : N/A	SIZE : A4	
			.XXX	±0.004	PAGE : 5	

THE INFORMATION CONTAINED HEREIN IS CONSIDERED "PROPRIETARY" TO BEL FUSE INC. AND SHALL NOT BE COPIED, REPRODUCED OR DISCLOSED WITHOUT THE WRITTEN APPROVAL OF BEL FUSE INC.

RoHS
2002/95/EC



SUGGESTED PANEL OPENING



NOTES:

THE DISTANCE OF PANEL INSIDE SURFACE RELATIVE TO FRONT SURFACE OF PART IS ONLY A SUGGESTION. IN CASE THIS DISTANCE IS DIFFERENT, THE REQUIRED PANEL OPENING DIMENSIONS CHANGE ACCORDINGLY.

PACKING INFORMATION

PACKING TRAY : 0200-9999-B4 (TOP)
0200-9999-B5 (BOTTOM)

PACKING QUANTITY : 24 PCS FINISHED GOODS PER TRAY
10 TRAYS (240 PCS FINISHED GOODS) PER CARTON BOX

NOTE : CARDBOARDS ARE PLACED BETWEEN LAYERS OF PACKING TRAY INSIDE CARTON BOX
(INCLUDE THE UPPERMOST AND LOWERMOST TRAY)

ORIGINATED BY ZX HUANG	DATE 08-06-08	TITLE 1X4 gigabit MagJack® (12 cores, Tab Up)	PART NO. / DRAWING NO. 08261C4T23-F	STANDARD DIM. TOL. IN INCH	[] METRIC DIM. AS REFERENCE		bel COMPONENTS FOR A CONNECTED PLANET
DRAWN BY BL CHEN	DATE 08-06-08		FILE NAME 08261C4T23-F_B.DWG	.X .XX .XXX	UNIT : INCH [mm] SCALE : N/A	REV. : B SIZE : A4	
				±0.004		PAGE : 6	