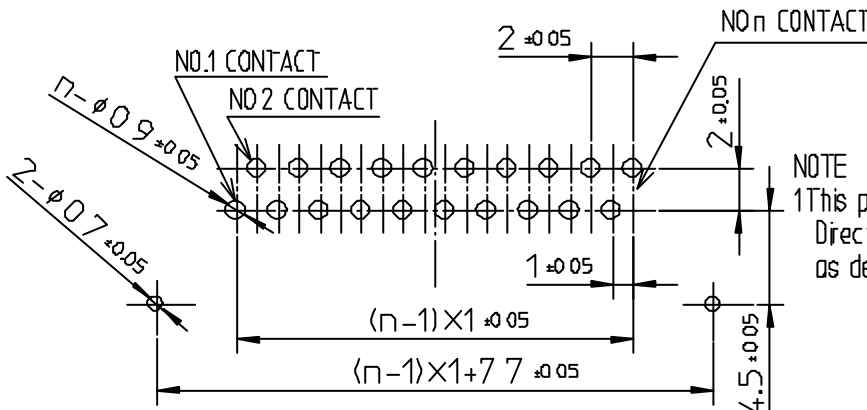


PT NO	PARTS NAME	MATERIAL	Q'TY	NOTE
1	HOUSING	GLASS FILLED THERMOPLASTIC RATED(U/L94V-0)	1	COLOR BRACK
2	CONTACT	BRASS	n	PLATING TINLEAD FREE
3	MOUNTNG PLATE	BRASS	2	PLATING TINLEAD FREE

RECOMMENDED PC BOARD LAYOUT
 THICKNESS : 1.6
 HOLE PATTERN (COMPONENT SIDE)

n.NO. OF CONTACTS
 (10 TO 30 , ONLY EVEN POS)



NOTE
 1 This product meets European Union Directives and other country regulations as described in GS-22-008.

mat'l code				surface ISO 1302 ✓	tolerance ISO 406 ISO 1101	projection ⊕	product family 590F	
lfr	ecn no	dr	date	tolerances unless otherwise specified			title	
A	J05-0470	M.K	Aug 2, 05	angles	linear	← →	FLOATING BOARD TO BOARD RECEPTACLE CONNECTOR (LEAD FREE) (Cat No BTFW_R-3RD7LF)	
B	J07-0021	M.K	Jan 15, 07				±0.3	scale
				dr	K Higuchi	Jan 15, 07	dwg no	
				enr	M Koga	Jan 15, 07	sheet 1 of 1	
				ctr	K Higuchi	Jan 15, 07	size	
				appd	M Koga	Jan 15, 07	A4	
sheet	revision						type	Product Customer Drawing
index	sheet						Rev	B

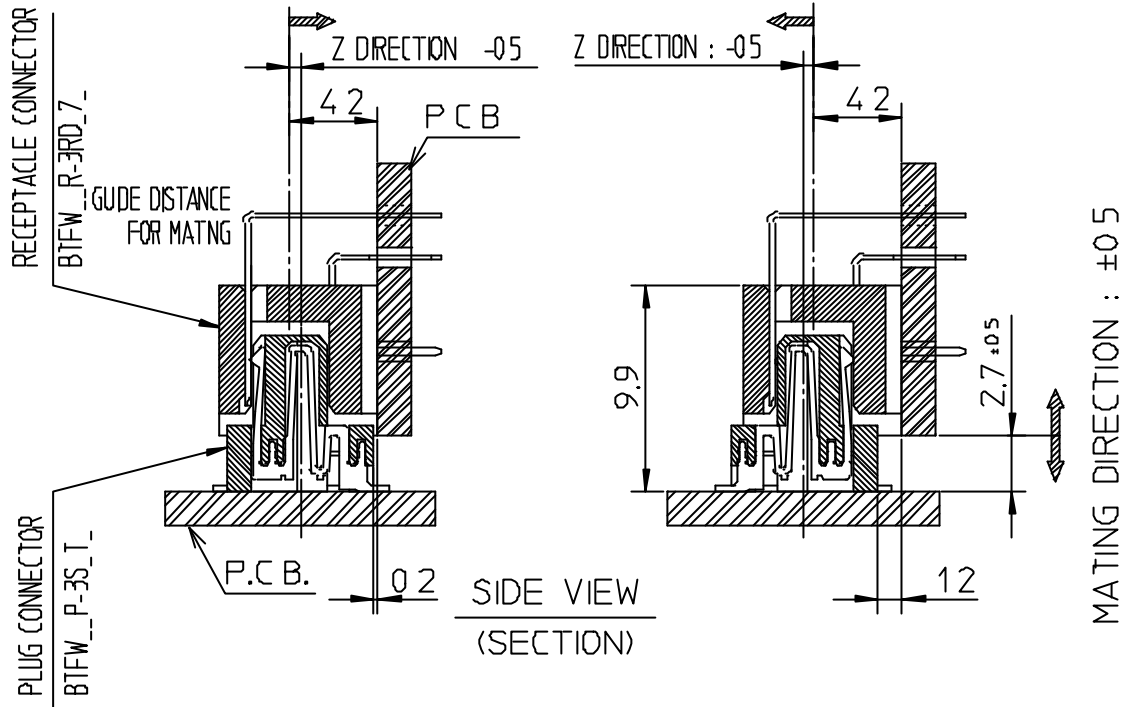


FCIconnect.com

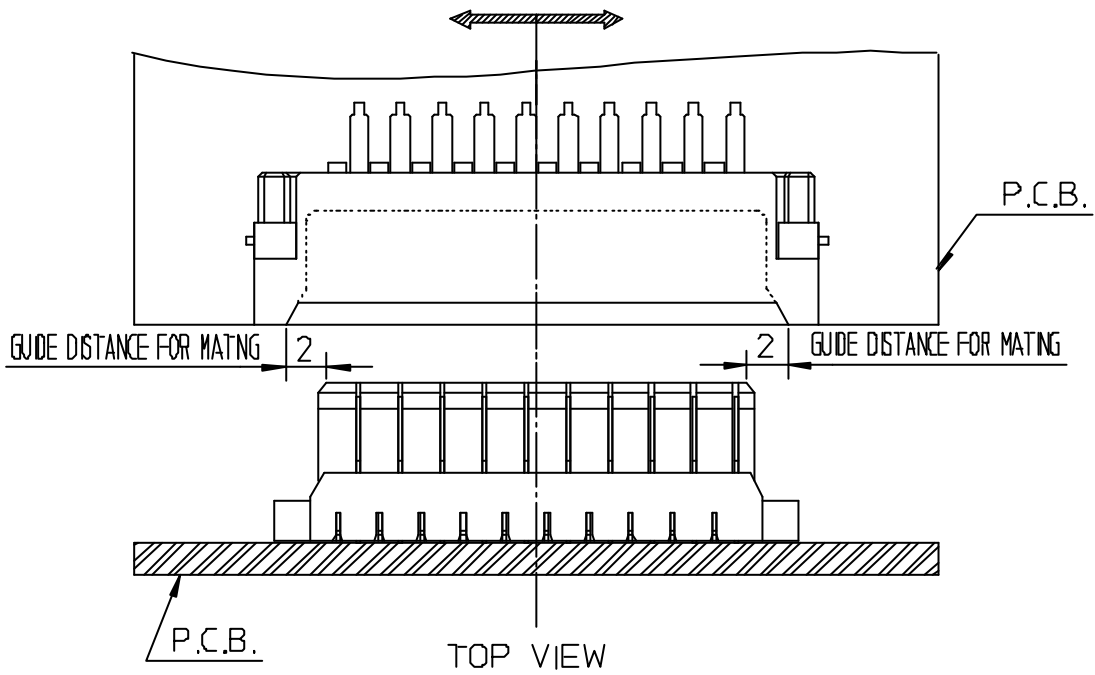
Copyright FCI

THIS FIGURE SHOW THE CONNECTOR MATNG BY MAKING CENTER AS CRITERIA

FLOATING ALLOWANCE MATING DIRECTION ± 0.5
 PITCH DIRECTION ± 0.8
 Z DIRECTION ± 0.5



PITCH DIRECTION ± 0.8



mat'l code		surface <input checked="" type="checkbox"/> ISO 1302		tolerance <input checked="" type="checkbox"/> ISO 406 <input type="checkbox"/> ISO 1101		projection		product family 590F	
litr		ecn no		date		tolerances unless otherwise specified		title CROSS SECTION OF MATED CONDITION	
AA		J04-0349		H.T Oct,13,04		angles linear ± 0.3		(CATNo BTFW_P-3S_T_ / BTFW_R-3RD_7_)	
AB		J05-0257		M.K APRIL 28,05					
AC		J07-0021		M.K Jan15,07					
		dr		K Higuchi		Jan15,07		dwg no sheet 1 of 1 size	
		enr		M.Koga		Jan15,07		JSA 95032 A4	
		chr		K Higuchi		Jan15,07		type Product Customer Drawing	
		appd		M.Koga		Jan15,07			
sheet index		revision sheet						Rev AC	



FCIconnect.com

Copyright FCI

