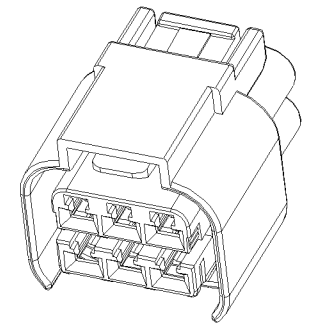
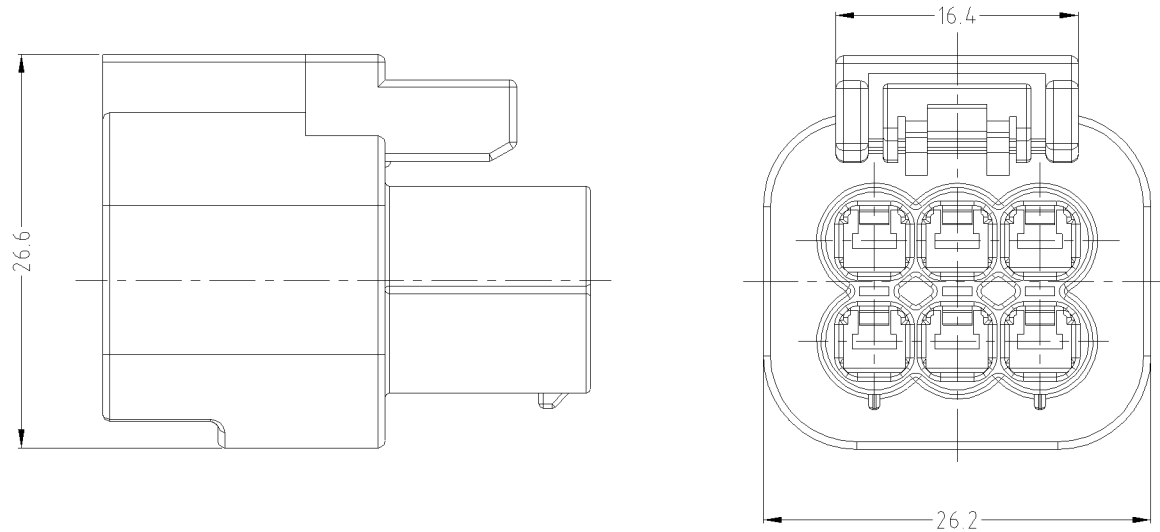
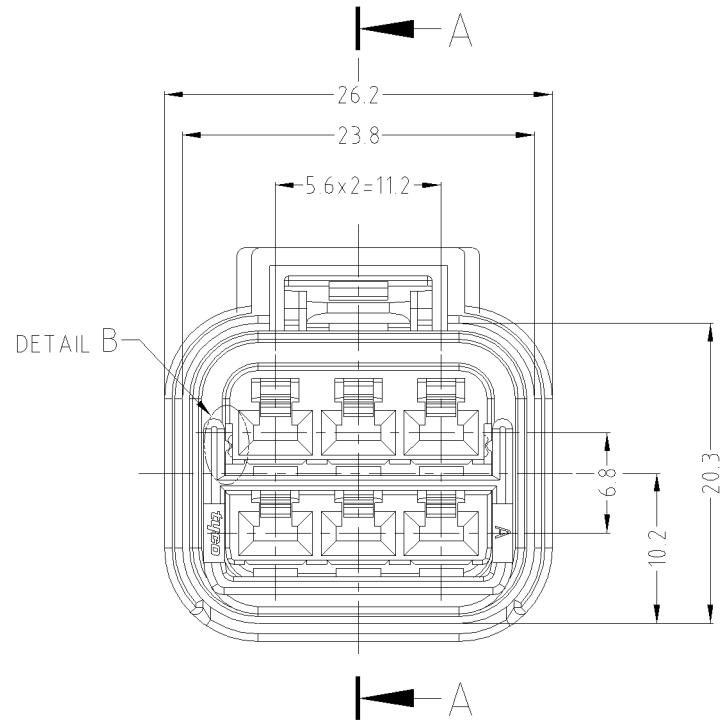


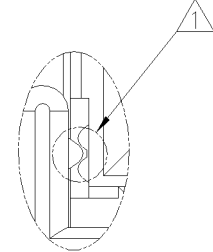
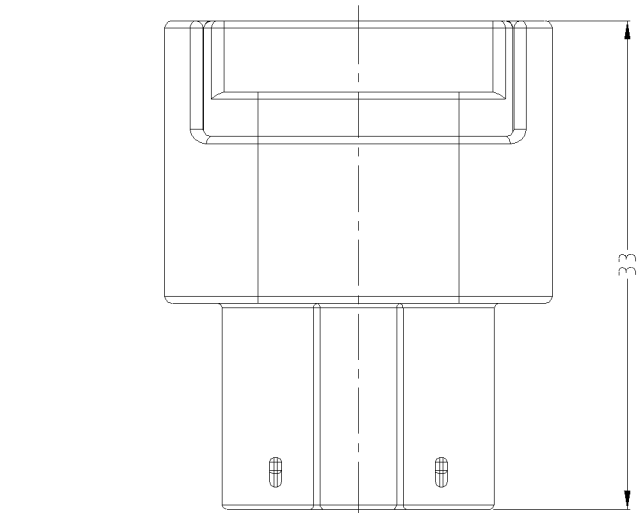
THIS DRAWING IS UNPUBLISHED. RELEASED FOR PUBLICATION

© COPYRIGHT BY TYCO ELECTRONICS CORPORATION. ALL RIGHTS RESERVED.

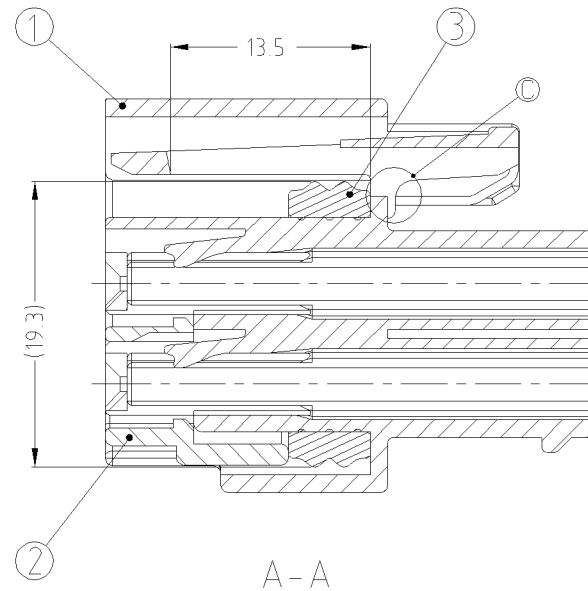
LOC	DIST	REVISIONS			
P	LTR	DESCRIPTION	DATE	DWN	APVD
DS	-				
	A	REVISED (ECR-05-002931)	11/MAY/'05	YH	CS
	B	REVISED (ECR-07-016074)	25/JUL/'07	YS	JK
	C	REVISED (ECR-10-001478)	22/MAR/'10	YM	HG



ISOMETRIC VIEW



DETAIL B  
SCALE 5:1



A-A

- NOTES:  
 1. CONDITION OF DELIVERY: DBL PLATE IN OPEN POSITION  
 2. APPLIED RECEPTACLE CONTACT P/N:  

CONTACT	MCP-E TERMINAL	
Part NO.	936606-1	936607-1
WIRE SIZE(mm <sup>2</sup> )	1.0~2.5SQ	0.5~1.0SQ

 3. APPLIED MALE CONNECTOR P/N: 936294-2  
 4. APPLIED COVER HSG P/N: 936303-2

NO	DESCRIPTION	MATERIAL	COLOR	Q'TY	P/N	REV
3	INNER SEAL FOR MCP-E 6P	SILICONE	RED ORANGE	1	0-936257-3	C
2	PLUG DBL HOUSING FOR MCP-E 6P	PBT GF10	WHITE	1	0-936257-2	C
1	MCP-E SEALED 6P PLUG HOUSING	PBT	GRAY	1		1
		PBT	BLACK	1		

THIS DRAWING IS A CONTROLLED DOCUMENT FOR TYCO ELECTRONICS CORPORATION. IT IS SUBJECT TO CHANGE AND THE CONTROLLING ENGINEERING ORGANIZATION SHOULD BE CONTACTED FOR THE LATEST REVISION.

DIMENSIONS: mm	TOLERANCES UNLESS OTHERWISE SPECIFIED: 0 <XX<10 ± 0.2 10 <XX<30 ± 0.25 30 <XX ± 0.3 ANGLES ± 3°	DWN YM LEE CHK JW JUNG APVD HG CHO PRODUCT SPEC -
3rd ANGLE PROJECTION	MATERIAL SEE TABLE	FINISH -

**Tyco Electronics** Tyco Electronics  
kyungsan, korea

NAME  
MCP-E SEALED 6P PLUG ASSEMBLY

SIZE	CAGE CODE	DRAWING NO	RESTRICTED TO
A3	00779	936257	-

CUSTOMER DRAWING SCALE 2:1 SHEET 1 OF 1 REV C