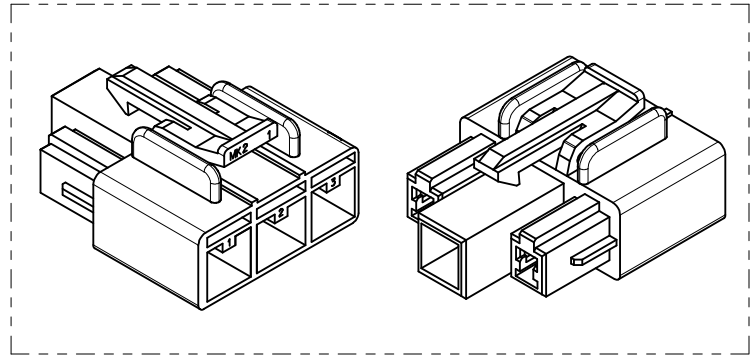
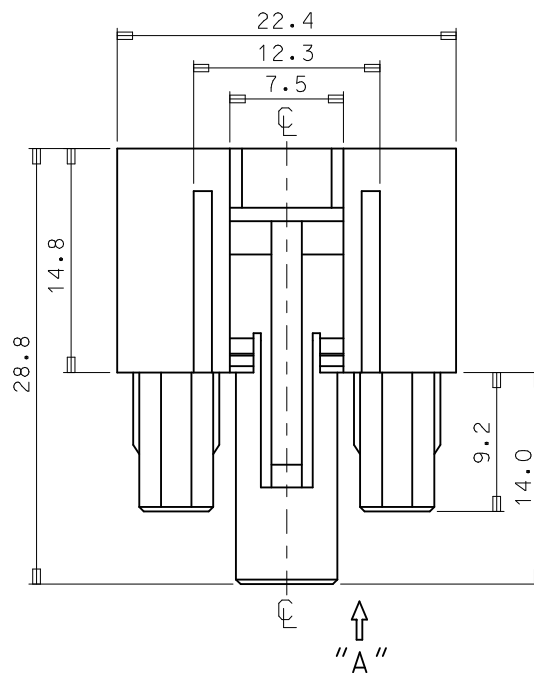
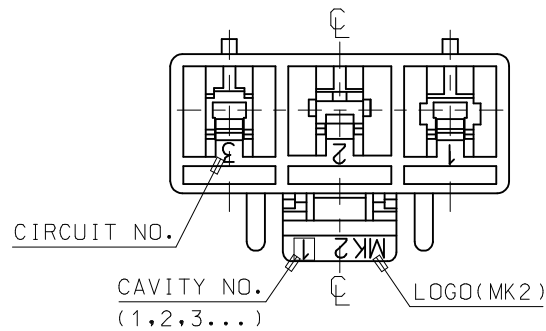
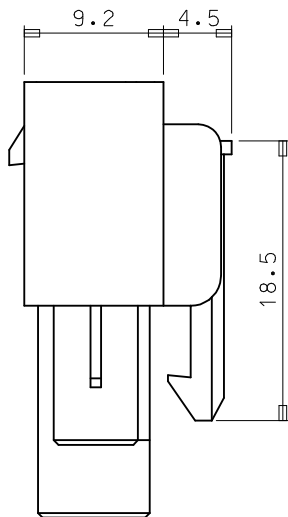


VIEW "A"



- NOTES
- MATERIAL . COLOR : SEE TABLE
  - MATED HOUSING : 35150-\*30\*  
35150-\*31\*  
35150-039\*(T.P.A)
  - APPLICABLE TERMINAL : 35746-0\*10 (1 CIRCUIT)  
35745-0\*10 (2 CIRCUIT)  
35748-0\*10 (3 CIRCUIT)

BLUE COLOR	PET/PC (UL94V-0)	35151-4319	351514319	6
YELLOW COLOR		35151-3319	351513319	5
RED COLOR		35151-2319	351512319	4
NATURAL COLOR	PBT (UL94V-0)	35151-0319	351510319	3
BLUE COLOR		35151-0314	351510314	2
NATURAL COLOR		35151-0310	351510310	1
FINISH	DESCRIPTION	ORDER NO	MATERIAL NO	NO
MATERIAL		PRODUCT		

[TABLE]

<b>REVISED</b> EC NO: KOR2016-0056 DRWN: JSSHIN 2016/02/22 CHKD: SHCHU 2016/02/22 APPR: YSKI MO2 2016/03/09	QUALITY SYMBOLS	GENERAL TOLERANCES (UNLESS SPECIFIED) <table border="1"> <tr> <td></td> <td>mm</td> <td>INCH</td> </tr> <tr> <td>4 PLACES</td> <td>± ---</td> <td>± ---</td> </tr> <tr> <td>3 PLACES</td> <td>± ---</td> <td>± ---</td> </tr> <tr> <td>2 PLACES</td> <td>± ---</td> <td>± ---</td> </tr> <tr> <td>1 PLACE</td> <td>± 0.3</td> <td>± ---</td> </tr> </table> ANGULAR ± 1 °		mm	INCH	4 PLACES	± ---	± ---	3 PLACES	± ---	± ---	2 PLACES	± ---	± ---	1 PLACE	± 0.3	± ---	DIMENSION STYLE	SCALE	DESIGN UNITS	THIRD ANGLE PROJECTION
			mm	INCH																	
	4 PLACES		± ---	± ---																	
	3 PLACES		± ---	± ---																	
2 PLACES	± ---	± ---																			
1 PLACE	± 0.3	± ---																			
DESCRIPTION		MM ONLY	3/1	METRIC																	
REV			DRAWN BY	DATE	TITLE																
1			WY. YANG	1992/11/17	7.3 PITCH W/W CONN. FEMALE HOUSING -3P																
			CHECKED BY	DATE																	
			BK. CHOI	1992/11/17																	
			APPROVED BY	DATE																	
			CW. LEE	1992/11/17																	
			MATERIAL NO.		MATERIAL NO.																
			SEE TABLE		SD-35151-031*																
			SIZE	THIS DRAWING CONTAINS INFORMATION THAT IS PROPRIETARY TO MOLEX INCORPORATED AND SHOULD NOT BE USED WITHOUT WRITTEN PERMISSION			SHEET NO.														
			A3				1 OF 01														