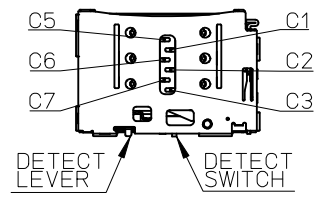
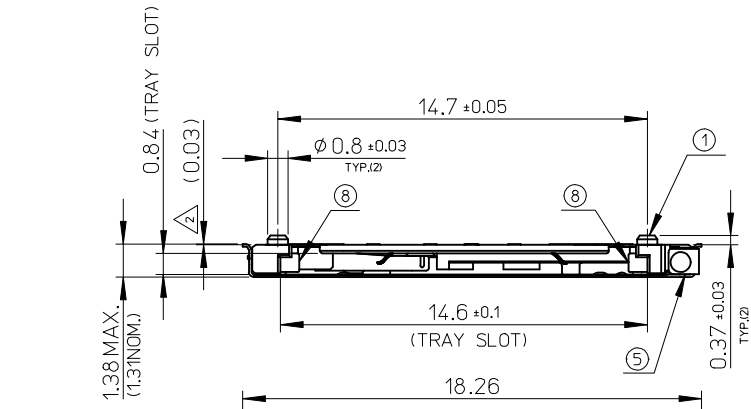


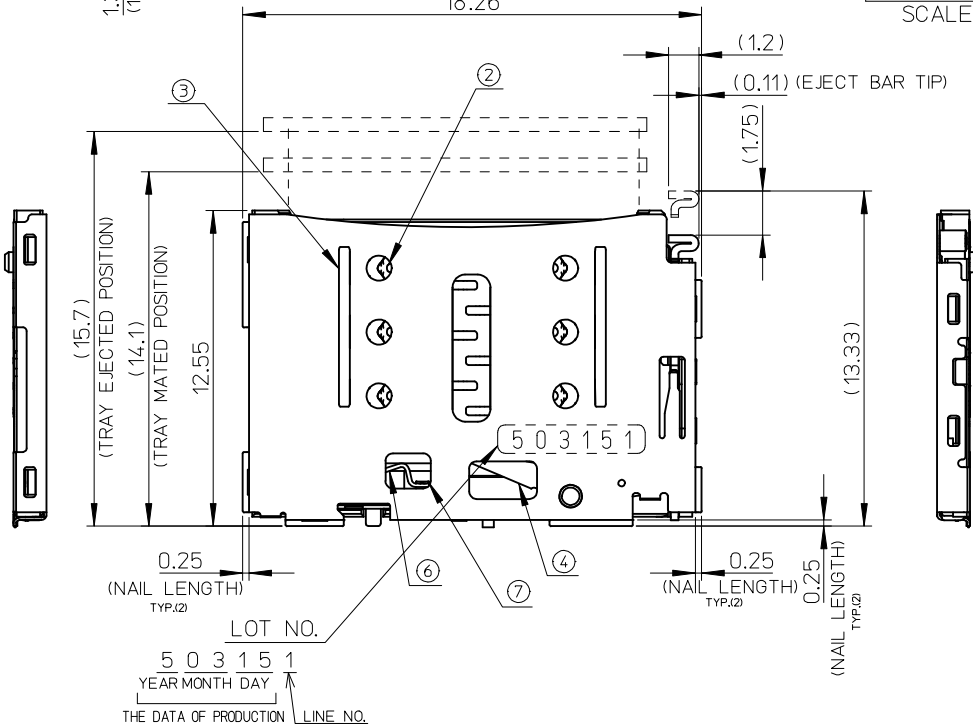
10 9 8 7 6 5 4 3 2 1



C1: Vcc
 C2: RST
 C3: CLK
 C5: GND
 C6: Vpp
 C7: I/O

PIN ASIGNMENT
 SCALE 2:1

No.	NAME	MATERIAL	FINISH
①	HOUSING	LIQUID CRYSTAL POLYMER GLASS FILLED, UL94 V-0 BLACK	N/A
②	TERMINAL	COPPER ALLOY	CONTACT AREA: GOLD PLATING TAIL AREA: GOLD PLATING UNDERPLATE: NICKEL OVERALL
③	SHELL	STAINLESS STEEL	TAIL AREA: GOLD PLATING UNDERPLATE: NICKEL OVERALL
④	EJECT LEVER	STAINLESS STEEL	N/A
⑤	EJECT BAR	STAINLESS STEEL	N/A
⑥	DETECT LEVER	COPPER ALLOY	CONTACT AREA: GOLD PLATING TAIL AREA: GOLD PLATING UNDERPLATE: NICKEL OVERALL
⑦	DETECT SWITCH	COPPER ALLOY	CONTACT AREA: GOLD PLATING TAIL AREA: GOLD PLATING UNDERPLATE: NICKEL OVERALL
⑧	HOOK	STAINLESS STEEL	N/A



NOTES :

1. TERMINAL AND NAIL COPLANARITY TO BE 0.1mm MAXIMUM. (FROM GAUGE PLATE)
2. STAND OFF DIMENSION (STAND OFF DIMENSION IS INCLUDED IN THE CONNECTOR TOTAL HEIGHT)
3. DETECT SWITCH FUNCTION

NO TRAY	CLOSE
TRAY EJECTED POSITION	CLOSE
TRAY MATED POSITION	OPEN
4. PATTERN KEEP OUT AREA DIMENSION
5. (DIMENSION) : REFERENCE VALUE (IT IS A NOT A MANAGEMENT DIMENSION)
6. ELV & ROHS COMPLIANT.
7. GND RECOMMENDED PATTERN.

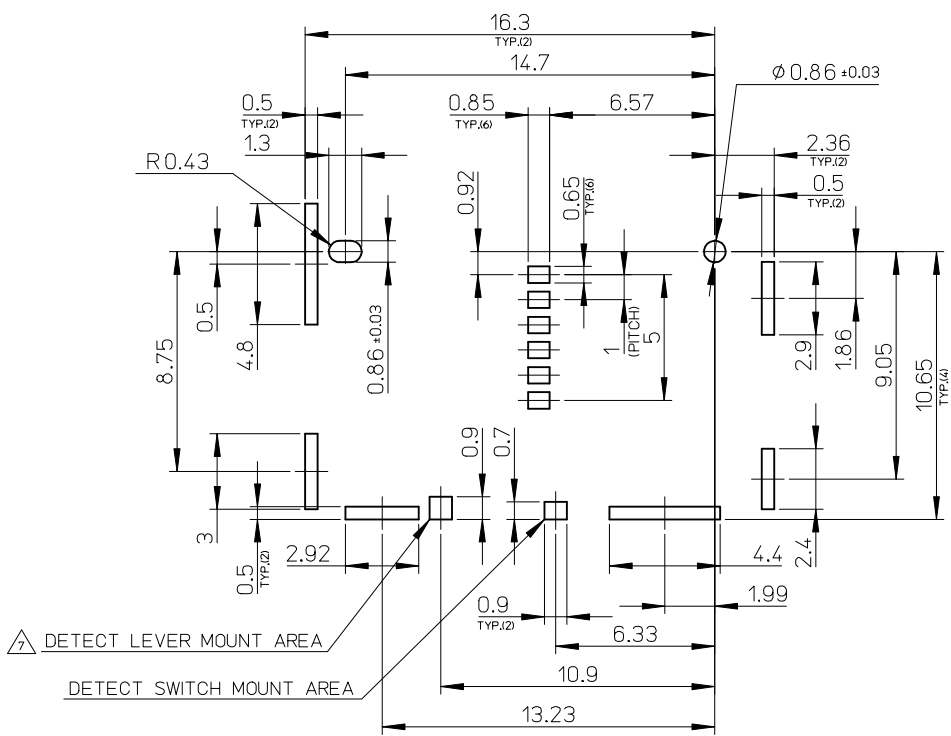
LOT NO.
 5 0 3 1 5 1
 YEAR MONTH DAY
 THE DATA OF PRODUCTION LINE NO.



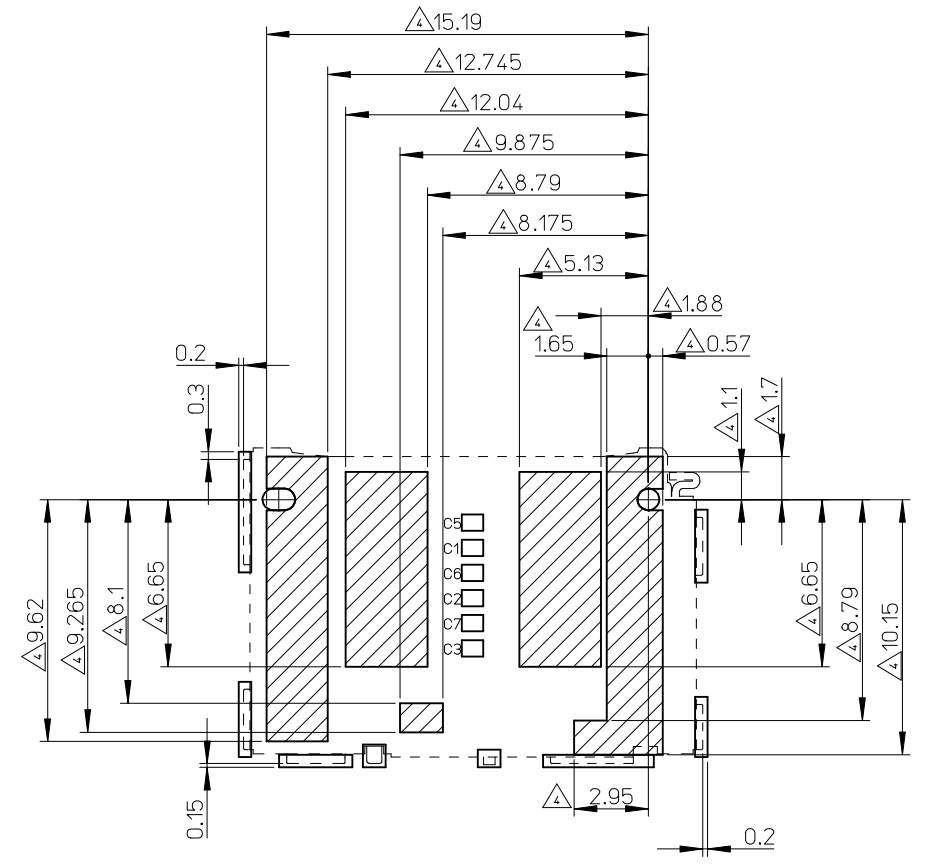
5052950691	6
EMBOSSED PACKAGE	CIRCUITS
ORDER NO.	
CONNECTOR SERIES No. 505295****	

REVISED EC NO: J2015-1539 DRWN: KOMURAKAMI 2015/05/20 CHKD: TKUSUHARA 2015/05/20 APPR: NUKITA 2015/05/21	GENERAL TOLERANCES (UNLESS SPECIFIED)		DIMENSION STYLE MM ONLY		SCALE 5:1	DESIGN UNITS METRIC	THIRD ANGLE PROJECTION
	0.25 UNDER	± 0.03	DRAWN BY	DATE	TITLE		
	0.25 OVER 0.5 UNDER	± 0.05	KOMURAKAMI	2015/03/03	NANO SIM CARD CONN. BAR-PUSH SIDE INSERTION ASSY		
	0.5 OVER 1 UNDER	± 0.10	TKUSUHARA	2015/03/06			
1 OVER 10 UNDER	± 0.15	APPROVED BY	DATE	MATERIAL NO.			
10 OVER 30 UNDER	± 0.15	NUKITA	2015/03/10	SEE CHART	SD-505295-001	1 OF 4	
30 OVER	± 0.3	DRAFT WHERE APPLICABLE MUST REMAIN WITHIN DIMENSIONS					
ANGULAR ±1 °		THIS DRAWING CONTAINS INFORMATION THAT IS PROPRIETARY TO MOLEX INCORPORATED AND SHOULD NOT BE USED WITHOUT WRITTEN PERMISSION					

9 8 7 6 5 4 3 2 1

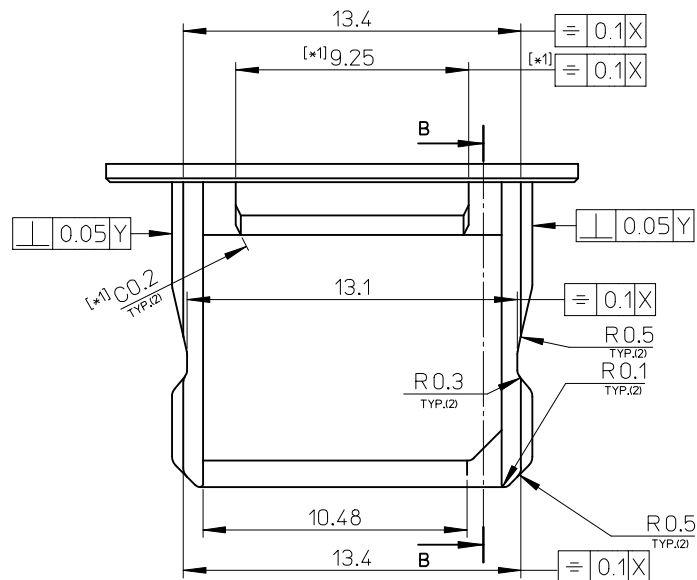
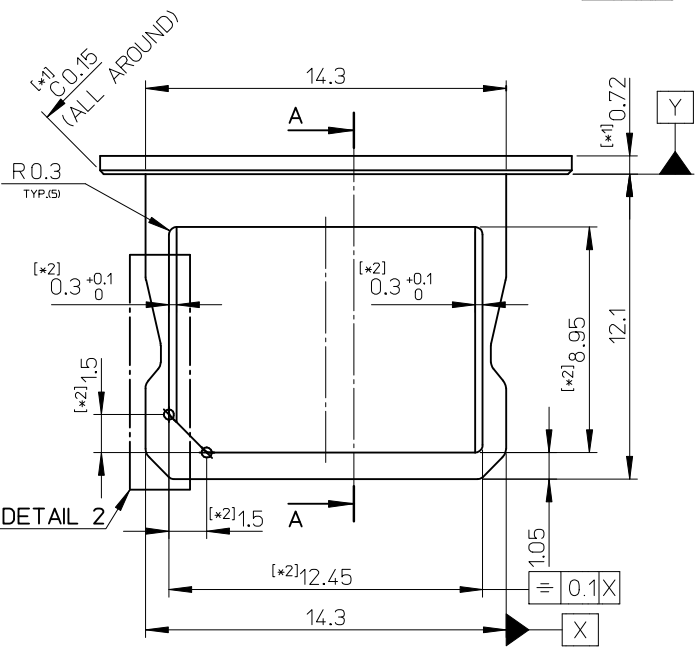
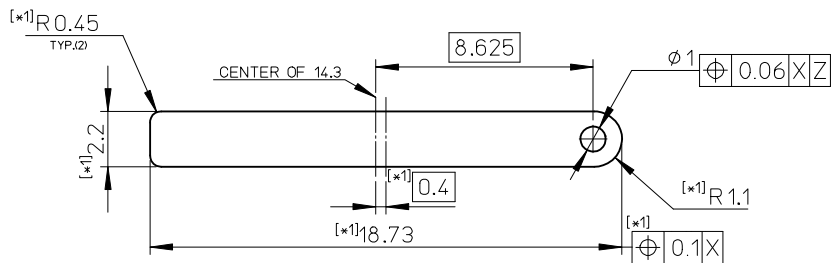


RECOMMENDED P. W. BOARD PATTERN LAYOUT
GENERAL TOLERANCES: ±0.05



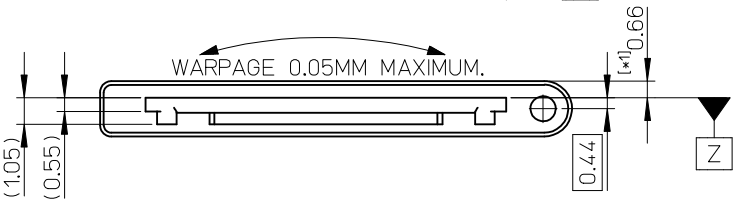
ON BOARD LOCATION REFERENCE
 PATTERN KEEP OUT AREA
GENERAL TOLERANCES: ±0.05

REVISED EC NO: J2015-1539 DRWN:KOMURAKAMI 2015/05/20 CHKD:TKUSUHARA 2015/05/20 APPR:NUKITA 2015/05/21	GENERAL TOLERANCES (UNLESS SPECIFIED)		DIMENSION STYLE MM ONLY		SCALE 5:1	DESIGN UNITS METRIC	THIRD ANGLE PROJECTION
	0.25 UNDER	±0.05	DRAWN BY KOMURAKAMI	DATE 2015/03/03	TITLE NANO SIM CARD CONN. BAR-PUSH SIDE INSERTION ASSY		
	0.25 OVER 0.5 UNDER	±0.08	CHECKED BY TKUSUHARA	DATE 2015/03/06			
	0.5 OVER 1.0 UNDER	±0.10	APPROVED BY NUKITA	DATE 2015/03/10			
	1.0 OVER 10 UNDER	±0.15	MATERIAL NO.	DOCUMENT NO.	SHEET NO.	2 OF 4	
30 OVER	±0.3	SEE SHEET 1		SD-505295-001			
ANGULAR	±1 °	THIS DRAWING CONTAINS INFORMATION THAT IS PROPRIETARY TO MOLEX INCORPORATED AND SHOULD NOT BE USED WITHOUT WRITTEN PERMISSION					
DRAFT WHERE APPLICABLE MUST REMAIN WITHIN DIMENSIONS							



WARPAGE 0.05MM MAXIMUM.

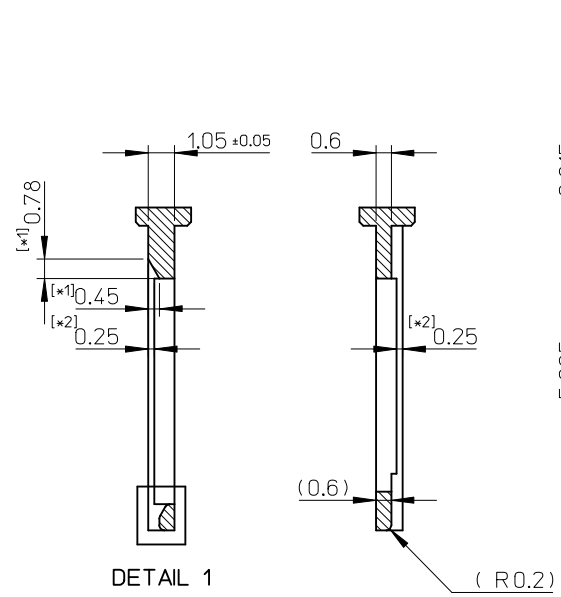
WARPAGE 0.05MM MAXIMUM.



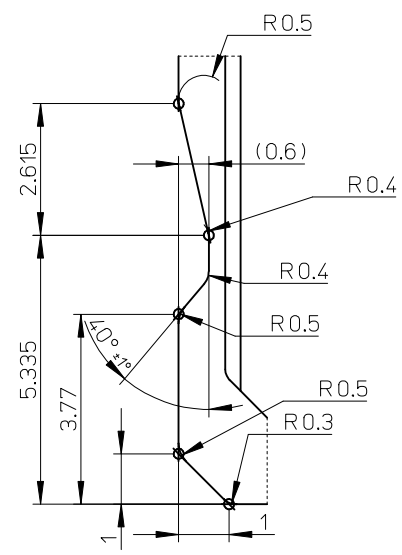
RECOMMENDED MIM TRAY
 GENERAL TOLERANCES : ±0.05
 MATERIAL: SUS630
 SURFACE ROUGHNESS : Ra=1μm MAXIMUM.

[*1] DIMENSIONS THAT CUSTOMERS ARE SETTABLE ORIGINALLY.
 [*2] DIMENSIONS INCLUDING THE INSULATION COATING THICKNESS.

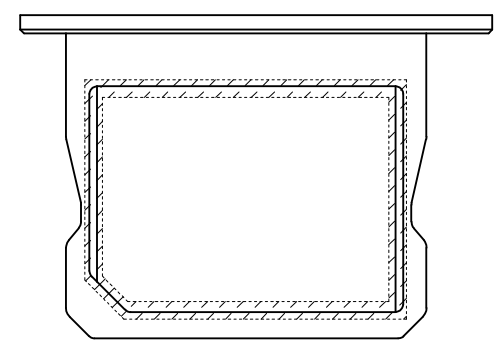
REVISED EC NO: J2015-1539 DRWN: KOMURAKAMI 2015/05/20 CHKD: TKUSUHARA 2015/05/20 APPR: NUKITA 2015/05/21	GENERAL TOLERANCES (UNLESS SPECIFIED)		DIMENSION STYLE MM ONLY		SCALE 5:1	DESIGN UNITS METRIC	THIRD ANGLE PROJECTION
	0.25 UNDER	±0.03	DRAWN BY	DATE	TITLE		
	0.25 OVER 0.5 UNDER	±0.05	KOMURAKAMI	2015/03/03	NANO SIM CARD CONN. BAR-PUSH SIDE INSERTION ASSY		
	0.5 OVER 1.0 UNDER	±0.1	TKUSUHARA	2015/03/06			
1.0 OVER 10 UNDER	±0.15	APPROVED BY	DATE	MATERIAL NO.	DOCUMENT NO.	SHEET NO.	
10 OVER 30 UNDER	±0.15	NUKITA	2015/03/10	SEE SHEET 1	SD-505295-001	3 OF 4	
30 OVER	±0.3	THIS DRAWING CONTAINS INFORMATION THAT IS PROPRIETARY TO MOLEX INCORPORATED AND SHOULD NOT BE USED WITHOUT WRITTEN PERMISSION					
ANGULAR	±1 °						



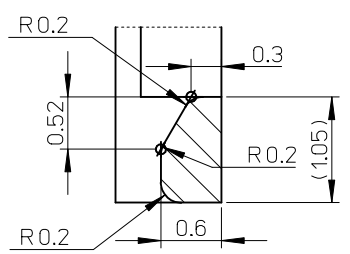
DETAIL 1
SECTION A-A SECTION B-B
(R0.2)



DETAIL 2
SCALE 10:1
(LATERAL SYMMETRY)



RECOMMENDATION AREA OF INSULATION COATING (INCLUDING THE SIDE IN THIS AREA)

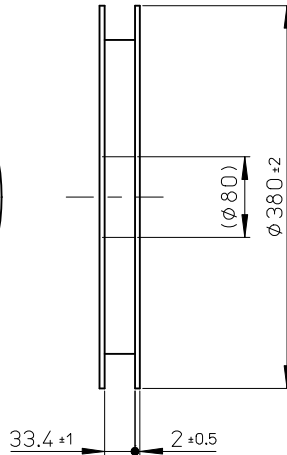
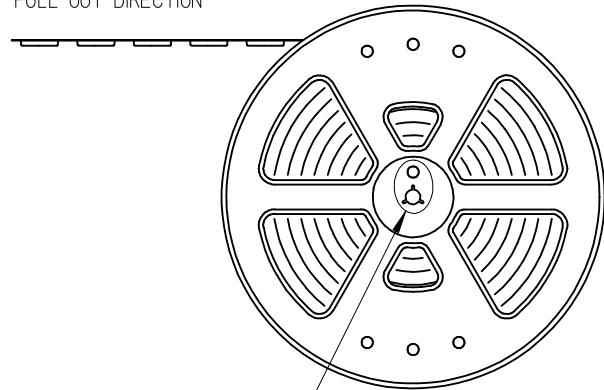


DETAIL 1
SCALE 20:1

Molex shall not be responsible for any infringement to the extent such infringement is the result of (a) use of the Product(s) in combination with any other products not provided by Molex if the infringement would not have occurred but for such combination, (b) any alteration or modification of the Product(s) not undertaken or authorized by Molex if the infringement would not have occurred but for such alteration or modification, (c) Molex's compliance with Buyer's specifications if the infringement would not have occurred but for such compliance, or (d) Buyer's failure to comply with Molex's instructions regarded as necessary to render the Product(s) non-infringing if the infringement would not have occurred if Buyer would have complied with Molex's instructions.

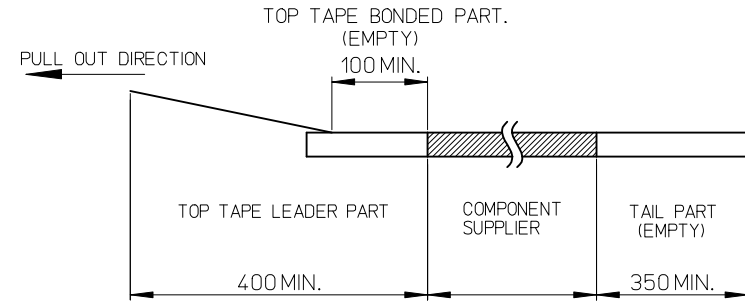
REVISED EC NO: J2015-1539 DRWN: KOMURAKAMI 2015/05/20 CHKD: TKUSUHARA 2015/05/20 APPR: NUKITA 2015/05/21	GENERAL TOLERANCES (UNLESS SPECIFIED)		DIMENSION STYLE MM ONLY		SCALE 5:1	DESIGN UNITS METRIC	THIRD ANGLE PROJECTION
	0.25 UNDER	± 0.03	DRAWN BY	DATE	TITLE		
	0.25 OVER 0.5 UNDER	± 0.05	KOMURAKAMI	2015/03/03	NANO SIM CARD CONN. BAR-PUSH SIDE INSERTION ASSY		
	0.5 OVER 1.0 UNDER	± 0.1	CHECKED BY	DATE	molex		
1.0 OVER 10 UNDER	± 0.15	TKUSUHARA	2015/03/06				
10 OVER 30 UNDER	± 0.15	APPROVED BY	DATE	DOCUMENT NO.			
30 OVER	± 0.3	NUKITA	2015/03/10	SD-505295-001			
ANGULAR ±1 °		MATERIAL NO.		SHEET NO.			
DRAFT WHERE APPLICABLE MUST REMAIN WITHIN DIMENSIONS		SEE SHEET 1	THIS DRAWING CONTAINS INFORMATION THAT IS PROPRIETARY TO MOLEX INCORPORATED AND SHOULD NOT BE USED WITHOUT WRITTEN PERMISSION				

PULL OUT DIRECTION

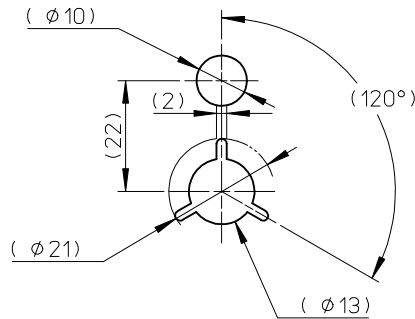


NOTES

1. RE DETAILED DIMENSION, SEE SALES DRAWING.
2. NUMBER OF CONNECTORS : 1500 PCS/REEL.
3. LEAD TAPE LENGTH.



4. TOP TAPE PEEL FORCE IS DEFINED BY IEC60286-3.
5. MATERIAL
 CARRIER TAPE: POLYSTYRENE
 TOP TAPE: PET, PE, PEF
 REEL: POLYSTYRENE (PS)<RECYCLE MATERIAL CONTAINED>
6. ELV AND RoHS COMPLIANT.



DETAIL "D"

5052950691	6
EMBOSSED PACKAGE	CIRCUITS
ORDER NO.	
CONNECTOR SERIES No. 505295****	

REVISED EC NO: J2015-1539 DRWN:KOMURAKAMI 2015/05/20 CHKD:TKUSUHARA 2015/05/20 APPR:NUKITA 2015/05/21	GENERAL TOLERANCES (UNLESS SPECIFIED)		DIMENSION STYLE		SCALE	DESIGN UNITS	THIRD ANGLE PROJECTION
	0.25 UNDER ±0.03		MM ONLY		---	METRIC	☉
	0.25 OVER 0.5 UNDER ±0.05		DRAWN BY DATE		TITLE		
	0.5 OVER 1.0 UNDER ±0.1		KOMURAKAMI 2015/03/06		NANO SIM CARD CONN. BAR-PUSH SIDE INSERTION EMBOSSED TAPE PACKAGE		
1.0 OVER 10 UNDER ±0.15		CHECKED BY DATE		DOCUMENT NO.			SHEET NO.
10 OVER 30 UNDER ±0.2		TKUSUHARA 2015/03/06		SD-505295-002			1 OF 2
30 OVER ±0.3		APPROVED BY DATE		THIS DRAWING CONTAINS INFORMATION THAT IS PROPRIETARY TO MOLEX INCORPORATED AND SHOULD NOT BE USED WITHOUT WRITTEN PERMISSION			
ANGULAR ±1 °		NUKITA 2015/03/10					
DRAFT WHERE APPLICABLE MUST REMAIN WITHIN DIMENSIONS		MATERIAL NO.					
A		SEE CHART					
		SIZE A3					

10 9 8 7 6 5 4 3 2 1

F

E

D

C

B

A

F

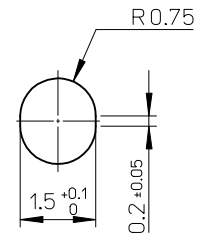
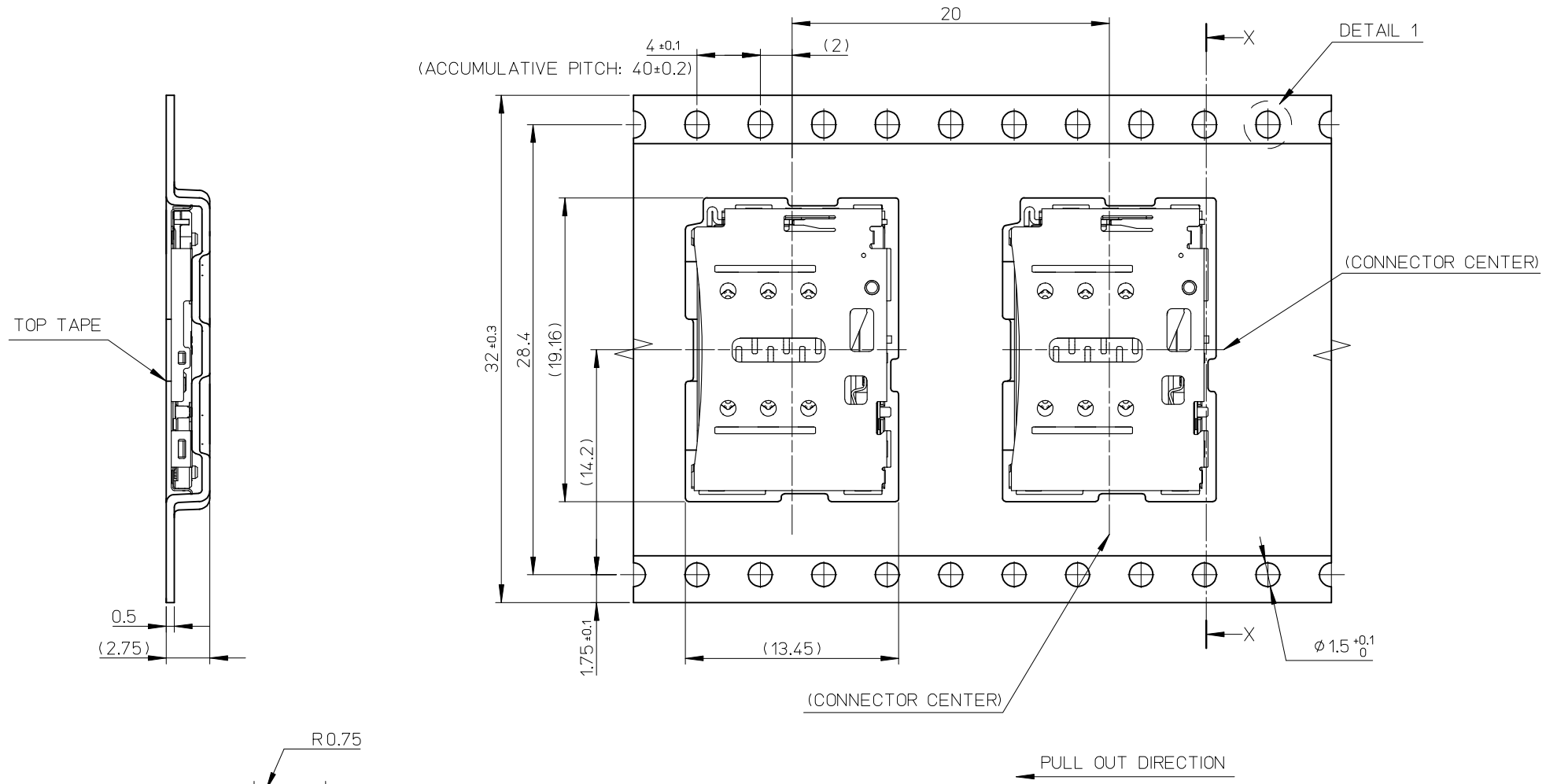
E

D

C

B

A



DETAIL 1
SCALE 10:1

REVISED EC NO: J2015-1539 DRWN: KOMURAKAMI 2015/05/20 CHKD: TKUSUHARA 2015/05/20 APPR: NUKITA 2015/05/21	GENERAL TOLERANCES (UNLESS SPECIFIED)		DIMENSION STYLE MM ONLY		SCALE 4:1	DESIGN UNITS METRIC	THIRD ANGLE PROJECTION
	0.25 UNDER	±0.03	DRAWN BY	DATE	TITLE		
	0.25 OVER 0.5 UNDER	±0.05	KOMURAKAMI	2015/03/06	NANO SIM CARD CONN. BAR-PUSH SIDE INSERTION EMBOSSED TAPE PACKAGE		
	0.5 OVER 1.0 UNDER	±0.1	TKUSUHARA	2015/03/06			
	1.0 OVER 10 UNDER	±0.15	APPROVED BY		DOCUMENT NO.		
10 OVER 30 UNDER	±0.2	NUKITA 2015/03/10		SD-505295-002			
30 OVER	±0.3	MATERIAL NO.		SHEET NO.			
ANGULAR ±1 °		SEE SHEET 1		2 OF 2			
DRAFT WHERE APPLICABLE MUST REMAIN WITHIN DIMENSIONS			SIZE A3	THIS DRAWING CONTAINS INFORMATION THAT IS PROPRIETARY TO MOLEX INCORPORATED AND SHOULD NOT BE USED WITHOUT WRITTEN PERMISSION			

9 8 7 6 5 4 3 2 1