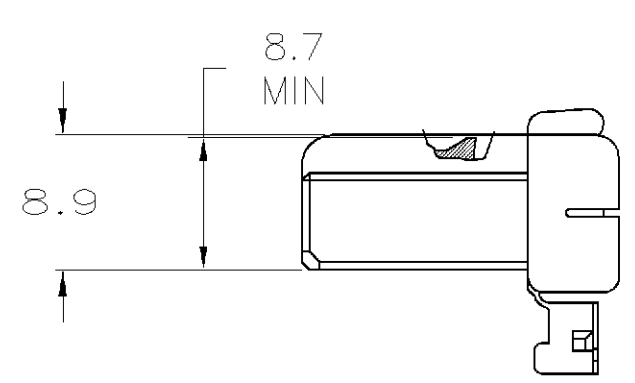
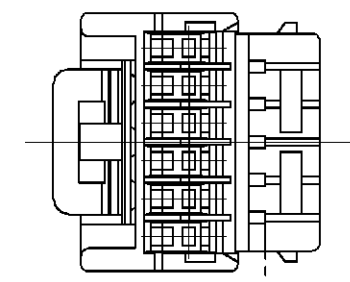
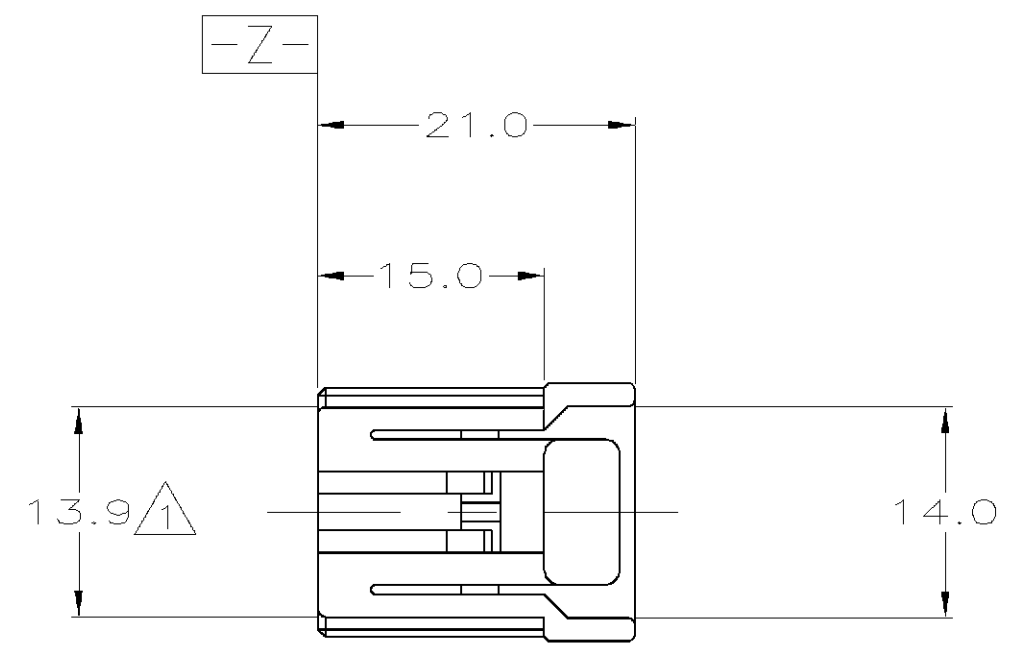
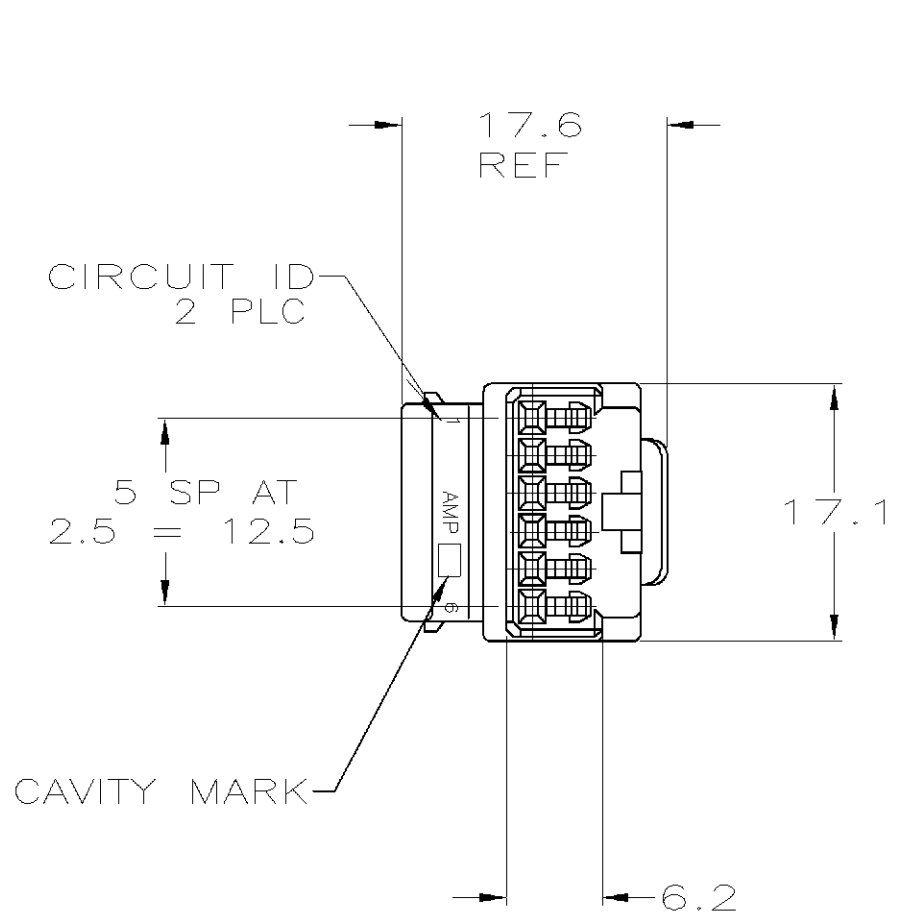


THIS DRAWING IS UNPUBLISHED. RELEASED FOR PUBLICATION  
 © COPYRIGHT BY TYCO ELECTRONICS CORPORATION. ALL RIGHTS RESERVED.

LOC	DIST	REVISIONS			
P	LTR	DESCRIPTION	DATE	DWN	APVD
FX	55	C	EC 0K80-0110-02	25APR02	JRB/SSA



- 1. MUST BE HELD BETWEEN -Z- AND 2MM
- 2. THE MATING CAP ASSEMBLY PART NUMBER IS 175506(SCREW MOUNTING TYPE) OR 776203(BOARDLOCK MOUNTING TYPE)
- 3. APPLIED RECEPTACLE CONTACT IS 173681

YELLOW	776204-7
BLACK	776204-2
COLOR	PART NUMBER

THIS DRAWING IS A CONTROLLED DOCUMENT.		DWN P. YEAGER 5-22-96	Tyco Electronics Corporation Harrisburg, PA 17105-3608			
DIMENSIONS: MM		CHK R. GRAY 5-22-96				
TOLERANCES UNLESS OTHERWISE SPECIFIED:		APVD R. GRAY 5-22-96	NAME			
0 PLC ± 0.25 1 PLC ± 0.15 2 PLC ± 0.1 3 PLC ± - 4 PLC ± - ANGLES ± -		PRODUCT SPEC 108-5281	6 POSN PLUG HOUSING .040 SERIES MULTI-LOCK I/O CONN			
MATERIAL		APPLICATION SPEC	SIZE	CAGE CODE	DRAWING NO	RESTRICTED TO
FINISH		WEIGHT	A3	00779	C-776204	-
CUSTOMER DRAWING			SCALE 2:1	SHEET 1 OF 1	REV C	