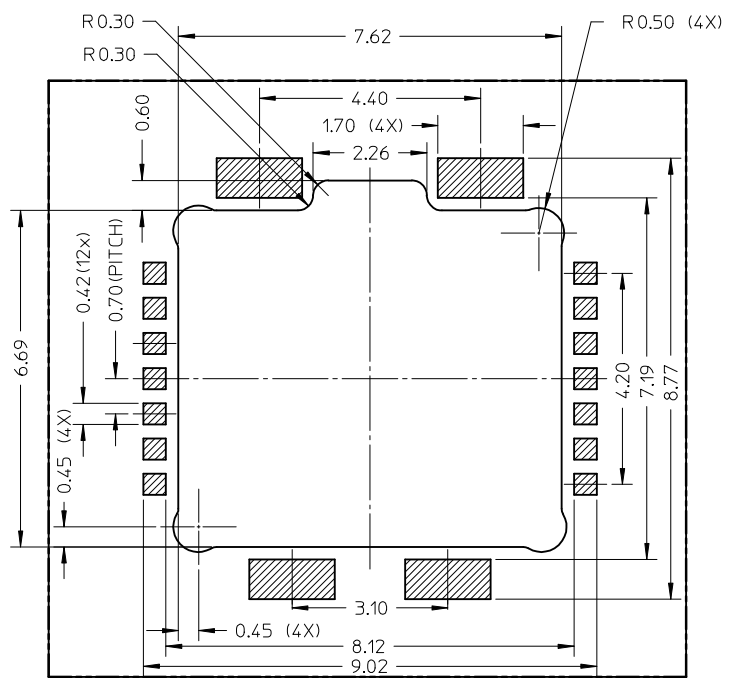


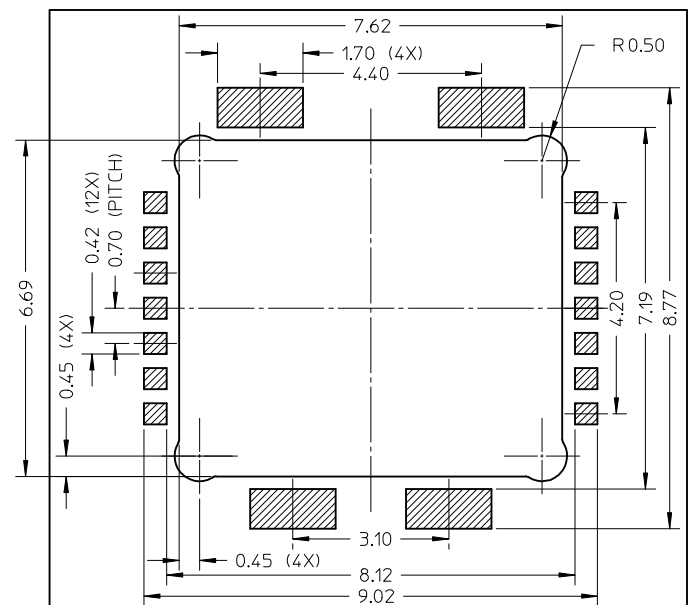
- NOTES:
- MATERIALS
 HOUSING: HIGH TEMPERATURE PLASTIC, BLACK, UL94 V-0
 TERMINAL: COPPER ALLOY.
 SHELL: STAINLESS STEEL
 - FINISH
 TERMINAL: 2-4 MICROMETER NICKEL UNDERPLATING OVERALL,
 GOLD PLATING 0.3 MIN MICROMETER ON CONTACT AREA,
 GOLD FLASH PLATING ON SOLDER AREA.
 SHELL: 0.8 MIN MIROMETER NICKEL PLATING OVERALL
 1.5 MIN MICROMETER MATTE TIN PLATING OVERALL.
 - COPLANARITY 0.08MM FOR ALL SOLDER TAILS. (23)
 - PRODUCT SPECIFICATION: PS-105200-001
 - PACKAGING: TAPE&REEL

1052000005	1.40		
1052000004	1.60	1052000009	0.60
1052000003	1.80	1052000008	0.75
1052000002	2.00	1052000007	1.00
1052000001	2.28	1052000006	1.20
PRODUCT NO.	DIM B	PRODUCT NO.	DIM B

RELEASED EC NO: SH2013-0196 DRWN:WJHUO 2012/12/18 CHKD: APPR:AYIN 2013/01/08 A	DESCRIPTION REV	QUALITY SYMBOLS	GENERAL TOLERANCES (UNLESS SPECIFIED)	DIMENSION STYLE	SCALE	DESIGN UNITS	THIRD ANGLE PROJECTION																												
		$\nabla_A=0$ $\nabla_C=0$ $\nabla_F=0$	<table border="1"> <tr> <th></th> <th>mm</th> <th>INCH</th> </tr> <tr> <td>4 PLACES</td> <td>± ---</td> <td>± ---</td> </tr> <tr> <td>3 PLACES</td> <td>± ---</td> <td>± ---</td> </tr> <tr> <td>2 PLACES</td> <td>± 0.15</td> <td>± ---</td> </tr> <tr> <td>1 PLACE</td> <td>± 0.20</td> <td>± ---</td> </tr> <tr> <td>0 PLACE</td> <td>± ---</td> <td>± ---</td> </tr> </table>		mm	INCH	4 PLACES	± ---	± ---	3 PLACES	± ---	± ---	2 PLACES	± 0.15	± ---	1 PLACE	± 0.20	± ---	0 PLACE	± ---	± ---	MM ONLY	10:1	METRIC											
			mm	INCH																															
		4 PLACES	± ---	± ---																															
3 PLACES	± ---	± ---																																	
2 PLACES	± 0.15	± ---																																	
1 PLACE	± 0.20	± ---																																	
0 PLACE	± ---	± ---																																	
	<table border="1"> <tr> <td>DRAWN BY</td> <td>DATE</td> <td>TITLE</td> </tr> <tr> <td>WJHUO</td> <td>2012/12/18</td> <td>SMA55 CAMERA SOCKET BOTTOM CONTACT</td> </tr> <tr> <td>CHECKED BY</td> <td>DATE</td> <td></td> </tr> <tr> <td></td> <td></td> <td></td> </tr> <tr> <td>APPROVED BY</td> <td>DATE</td> <td></td> </tr> <tr> <td>AYIN</td> <td>2013/01/08</td> <td></td> </tr> <tr> <td>MATERIAL NO.</td> <td></td> <td></td> </tr> <tr> <td></td> <td></td> <td></td> </tr> </table>	DRAWN BY	DATE	TITLE	WJHUO	2012/12/18	SMA55 CAMERA SOCKET BOTTOM CONTACT	CHECKED BY	DATE					APPROVED BY	DATE		AYIN	2013/01/08		MATERIAL NO.						<table border="1"> <tr> <td>SIZE</td> <td>THIS DRAWING CONTAINS INFORMATION THAT IS PROPRIETARY TO MOLEX INCORPORATED AND SHOULD NOT BE USED WITHOUT WRITTEN PERMISSION</td> </tr> <tr> <td>A3</td> <td></td> </tr> </table>	SIZE	THIS DRAWING CONTAINS INFORMATION THAT IS PROPRIETARY TO MOLEX INCORPORATED AND SHOULD NOT BE USED WITHOUT WRITTEN PERMISSION	A3		<table border="1"> <tr> <td>DOCUMENT NO.</td> <td>SHEET NO.</td> </tr> <tr> <td>SD-105200-001</td> <td>1 OF 2</td> </tr> </table>	DOCUMENT NO.	SHEET NO.	SD-105200-001	1 OF 2
DRAWN BY	DATE	TITLE																																	
WJHUO	2012/12/18	SMA55 CAMERA SOCKET BOTTOM CONTACT																																	
CHECKED BY	DATE																																		
APPROVED BY	DATE																																		
AYIN	2013/01/08																																		
MATERIAL NO.																																			
SIZE	THIS DRAWING CONTAINS INFORMATION THAT IS PROPRIETARY TO MOLEX INCORPORATED AND SHOULD NOT BE USED WITHOUT WRITTEN PERMISSION																																		
A3																																			
DOCUMENT NO.	SHEET NO.																																		
SD-105200-001	1 OF 2																																		
DRAFT WHERE APPLICABLE MUST REMAIN WITHIN DIMENSIONS		ANGULAR ± 3 °	SEE TABLE																																

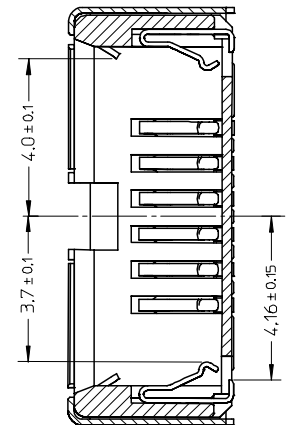
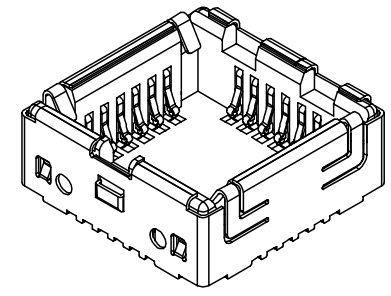
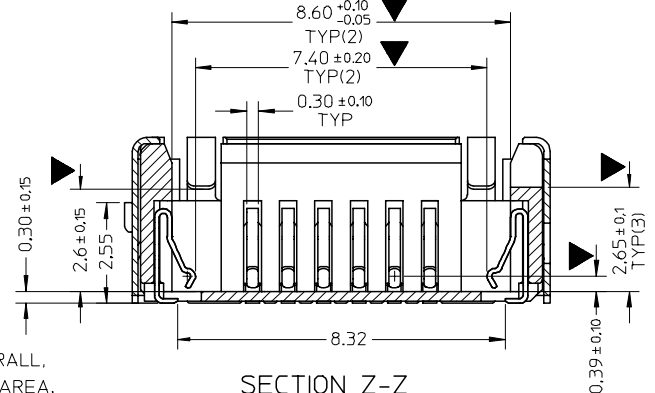
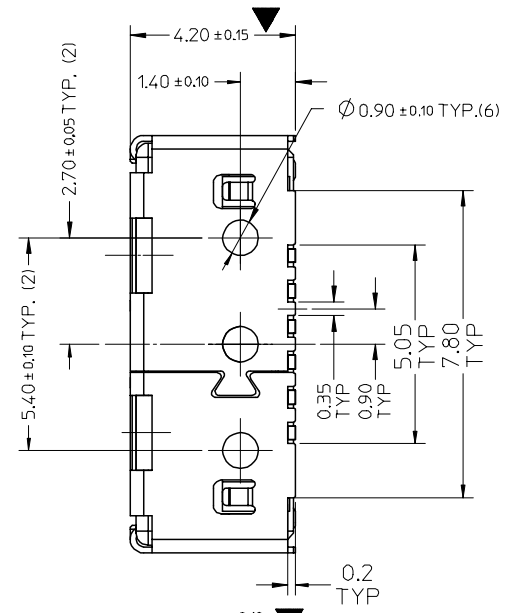
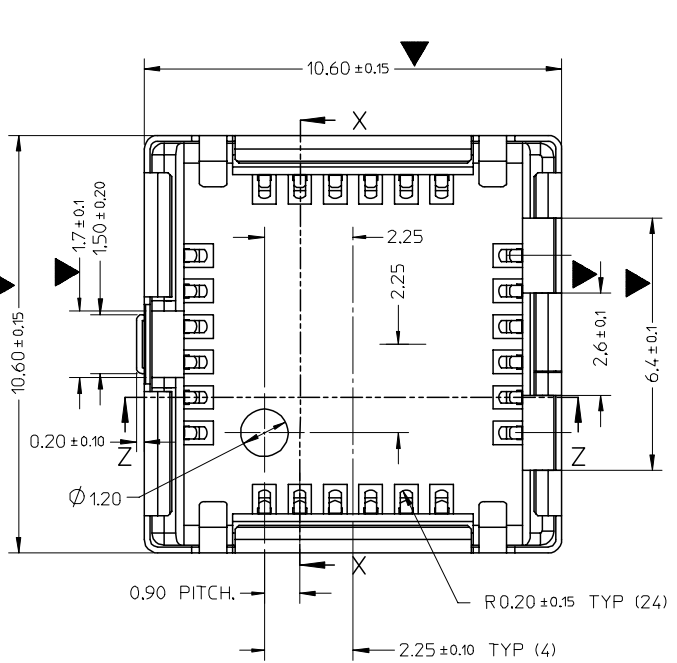


A TYPE PCB LAYOUT FOR PRODUCT NO.
 1052000001,1052000002,1052000003,
 1052000004,1052000005
 TOLERANCE:0.05mm



B TYPE PCB LAYOUT FOR PRODUCT NO.
 1052000006,1052000007,
 1052000008,1052000009
 TOLERANCE:0.05mm

RELEASED EC NO: SH2013-0196 DRW: WJHUO 2012/12/18 CHKD: APPR: AYIN 2013/01/08	REV DESCRIPTION	QUALITY SYMBOLS	GENERAL TOLERANCES (UNLESS SPECIFIED)		DIMENSION STYLE	SCALE	DESIGN UNITS	THIRD ANGLE PROJECTION		
		$\nabla = 0$ $\nabla = 0$ $\nabla = 0$	mm	INCH	MM ONLY	10:1	METRIC	TITLE SMIA55 CAMERA SOCKET BOTTOM CONTACT		
		4 PLACES ± --- ± --- 3 PLACES ± --- ± --- 2 PLACES ± 0.15 ± --- 1 PLACE ± 0.20 ± --- 0 PLACE ± --- ± ---			DRAWN BY: WJHUO DATE: 2012/12/18 CHECKED BY: DATE: APPROVED BY: DATE: 2013/01/08					
		A		ANGULAR ± 3°	MATERIAL NO.	9999999999	DOCUMENT NO.	SD-105200-001	SHEET NO.	2 OF 2



SECTION X-X

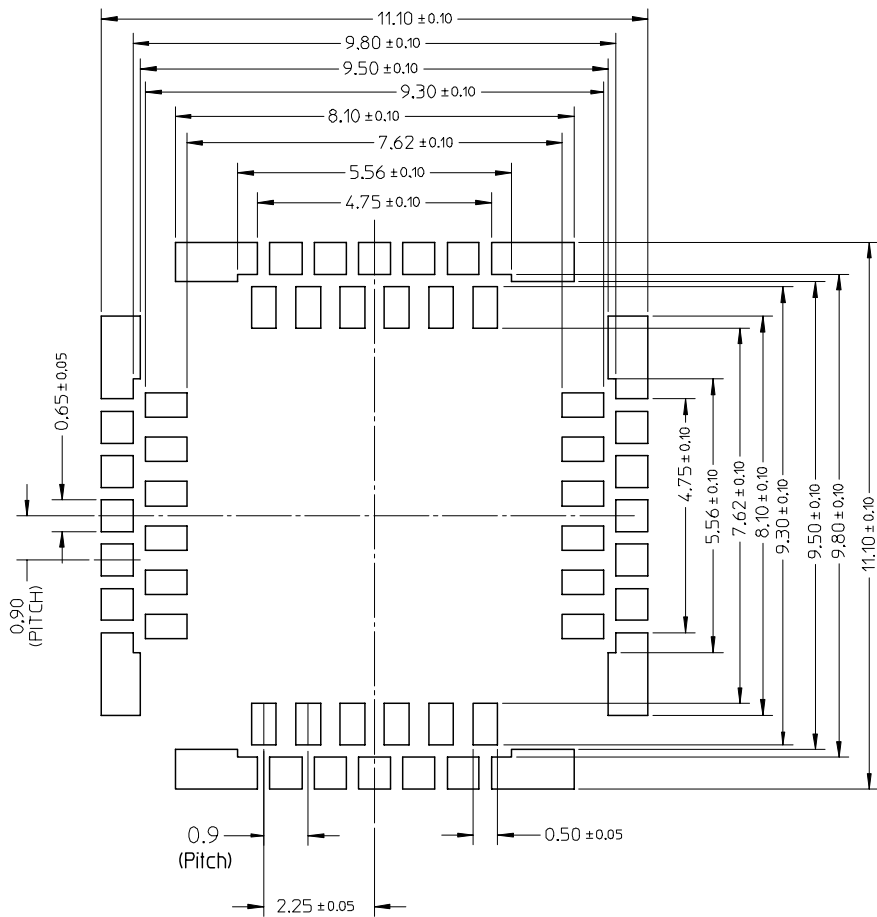
- NOTES:
- MATERIALS
HOUSING: POLYAMIDE, BLACK, UL94 V-0
TERMINAL: COPPER ALLOY.
SHELL: COPPER ALLOY.
TOP SHIELD: STAINLESS STEEL
 - FINISH
TERMINAL: 2-4 MICROMETER NICKEL UNDERPLATING OVERALL,
GOLD PLATING 0.3 MICROMETER ON CONTACT AREA,
GOLD FLASH PLATING ON SOLDER AREA.
SHELL: 2-4 MICROMETER NICKEL UNDERPLATING OVERALL,
GOLD FLASH PLATING ON SOLDER AREA.
 - PRODUCT SPECIFICATION: PS-47337-001
 - PAKAGING: TAPE&REEL
 - COPLANALITY TO BE 0.10MM MAX.
 - APPLICABLE TOP COVER 473370005.
 - APPLICABLE CAMERA MODULE SEE SHEET 3.
 - THE DRAWING EDITION 9 WILL MEET TOM LU'S DRAWING EDITON S6

SECTION Z-Z

RELEASE EC NO: DRWN: IHE CHKD: XIXU APPR: JNCHEN 2006/06/16 2006/06/23 2006/06/26	DESCRIPTION REV A	QUALITY SYMBOLS ▽=12 ◁=0	GENERAL TOLERANCES (UNLESS SPECIFIED) <table border="1"> <thead> <tr> <th></th> <th>mm</th> <th>INCH</th> </tr> </thead> <tbody> <tr> <td>4 PLACES</td> <td>± ---</td> <td>± ---</td> </tr> <tr> <td>3 PLACES</td> <td>± ---</td> <td>± ---</td> </tr> <tr> <td>2 PLACES</td> <td>± 0.10</td> <td>± ---</td> </tr> <tr> <td>1 PLACE</td> <td>± 0.15</td> <td>± ---</td> </tr> <tr> <td colspan="3">ANGULAR ± 1 °</td> </tr> </tbody> </table>		mm	INCH	4 PLACES	± ---	± ---	3 PLACES	± ---	± ---	2 PLACES	± 0.10	± ---	1 PLACE	± 0.15	± ---	ANGULAR ± 1 °			DIMENSION STYLE MM ONLY	SCALE 8:1	DESIGN UNITS METRIC	THIRD ANGLE PROJECTION
			mm	INCH																					
		4 PLACES	± ---	± ---																					
		3 PLACES	± ---	± ---																					
2 PLACES	± 0.10	± ---																							
1 PLACE	± 0.15	± ---																							
ANGULAR ± 1 °																									
DRAWN BY IVAN HE 2006/06/16	DATE 2006/06/16	TITLE 8.5*8.5 CAMERA SOCKET SMT.SIDE CONTACT TYPE TOP MOUNT																							
CHECKED BY XIXU 2006/06/16	DATE 2006/06/16	MOLEX INCORPORATED																							
APPROVED BY JENNY CHEN 2006/06/16	DATE 2006/06/16	MATERIAL NO. 473370001	DOCUMENT NO. SD-47337-001																						

DRAFT WHERE APPLICABLE MUST REMAIN WITHIN DIMENSIONS

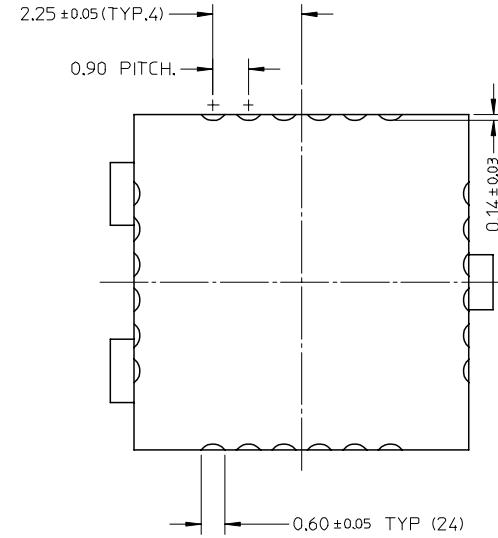
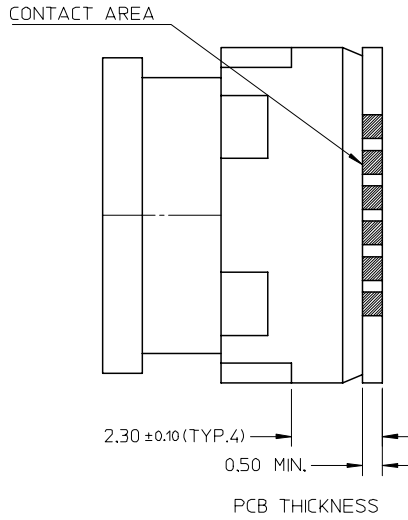
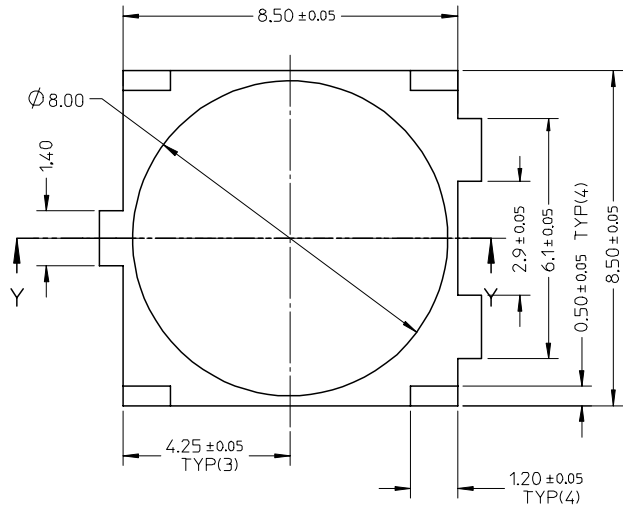
THIS DRAWING CONTAINS INFORMATION THAT IS PROPRIETARY TO MOLEX INCORPORATED AND SHOULD NOT BE USED WITHOUT WRITTEN PERMISSION



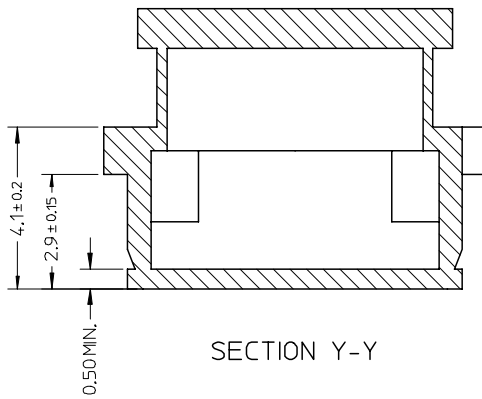
RECOMMENDED PCB LAYOUT

RELEASE EC NO: DRWN: IHE CHKD: XIXU APPR: JNCHEN 2006/06/16 2006/06/23 2006/06/26	DESCRIPTION REV	QUALITY SYMBOLS ▽=0 ◻=0	GENERAL TOLERANCES (UNLESS SPECIFIED)		DIMENSION STYLE MM ONLY		SCALE 10:1	DESIGN UNITS METRIC	THIRD ANGLE PROJECTION		
			4 PLACES ± --- ± --- 3 PLACES ± --- ± --- 2 PLACES ± 0.10 ± --- 1 PLACE ± 0.15 ± ---	mm INCH ± --- ± --- ± 0.10 ± --- ± 0.15 ± ---	DRAWN BY IVAN HE	DATE 2006/06/16	TITLE 8.5*8.5 CAMERA SOCKET SMT.SIDE CONTACT TYPE TOP MOUNT				
			ANGULAR ± 1		CHECKED BY XIXU	DATE 2006/06/16	MOLEX INCORPORATED				
		DRAFT WHERE APPLICABLE MUST REMAIN WITHIN DIMENSIONS		MATERIAL NO. 47337-0001	APPROVED BY JENNY CHEN	DATE 2006/06/16	DOCUMENT NO. SD-47337-001	SHEET NO. 2 OF 3			

APPLIED CAMERA MODULE



FOR PCB (PTH)



SECTION Y-Y

RELEASE EC NO: DRWN: IHE CHKD: XIXU APPR: JNCHEN	DESCRIPTION 2006/06/16 2006/06/23 2006/06/26	QUALITY SYMBOLS	GENERAL TOLERANCES (UNLESS SPECIFIED)	DIMENSION STYLE	SCALE	DESIGN UNITS	THIRD ANGLE PROJECTION
		$\nabla = 0$ $\sphericalangle = 0$	mm INCH	MM ONLY	8:1	METRIC	
			4 PLACES ± --- ± --- 3 PLACES ± --- ± --- 2 PLACES ± 0.10 ± --- 1 PLACE ± 0.15 ± ---	DRAWN BY DATE IVAN HE 2006/06/16 CHECKED BY DATE XIXU 2006/06/16 APPROVED BY DATE JENNY CHEN 2006/06/16	TITLE 8.5*8.5 CAMERA SOCKET SMT.SIDE CONTACT TYPE TOP MOUNT		
		DRAFT WHERE APPLICABLE MUST REMAIN WITHIN DIMENSIONS	MATERIAL NO. 47337-0001	DOCUMENT NO. SD-47337-001	SHEET NO. 3 OF 3		