

THIS DRAWING IS UNPUBLISHED.

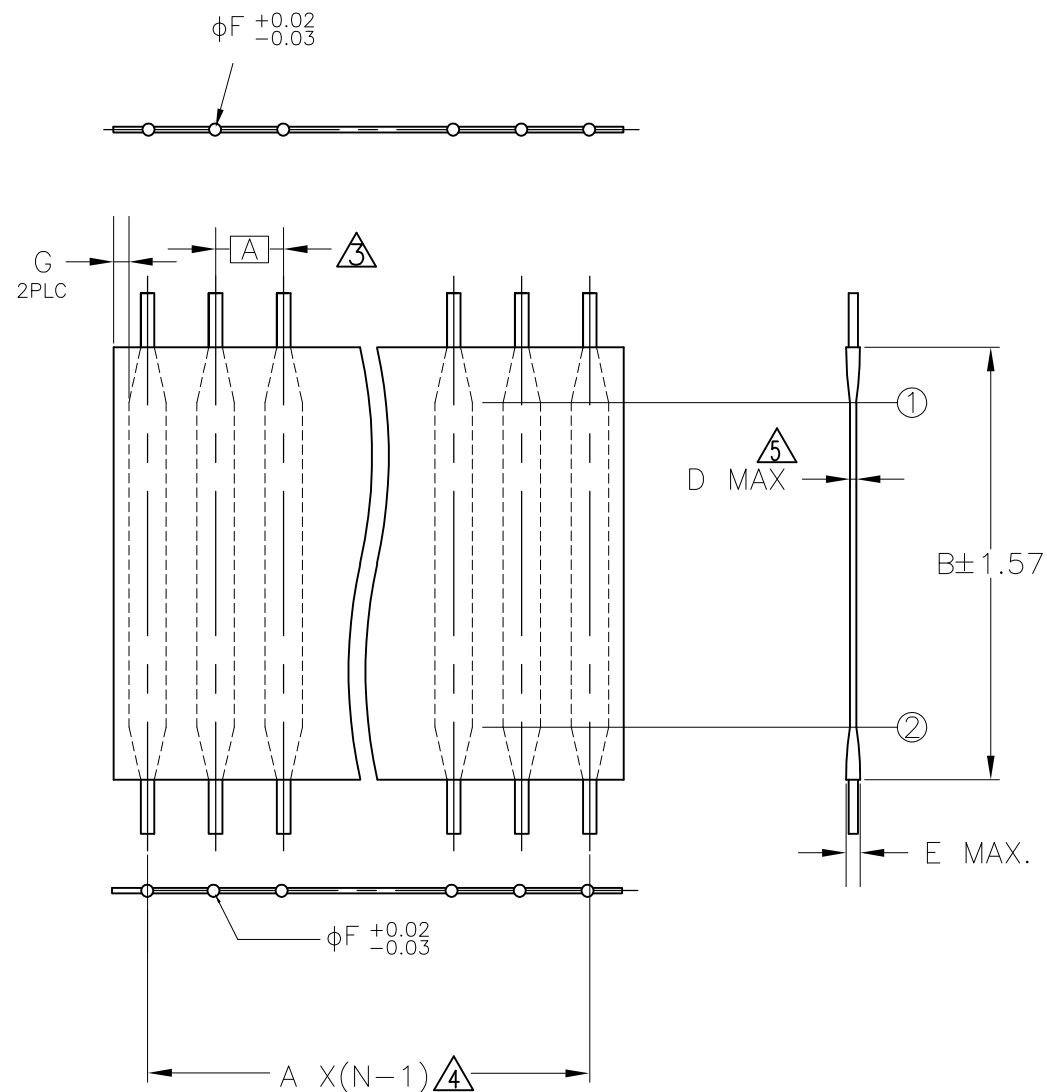
RELEASED FOR PUBLICATION

REVISIONS

© COPYRIGHT - By -

ALL RIGHTS RESERVED.

P	LTR	DESCRIPTION	DATE	DWN	APVD
	A6	REVISED	23AUG2016	H.M	N.Y



1 プリント基板スルーホール径： $\phi 0.94 \pm 0.025$ また、スルーホールピッチ公差は ± 0.127 である（参考）

2 本仕様から逸脱する場合は、必ず仕様打合わせを行うこと。

3 リード位置寸法は、リード根元寸法とする。

4 公差は以下の表を参照。

PITCH	2~30PINS	31~50PINS
2.30~5.08	± 0.35	± 0.40
1.78~2.00	± 0.30	± 0.35
0.80~1.50	± 0.30	± 0.35

5 D寸法は、①~②間のワイヤー部の厚さを指す。

1 RECOMMENDED THROUGH HOLE DIA. FOR P.C.BOARD : $\phi 0.94 \pm 0.025$
THROUGH HOLE PITCH TOLERANCE : ± 0.127

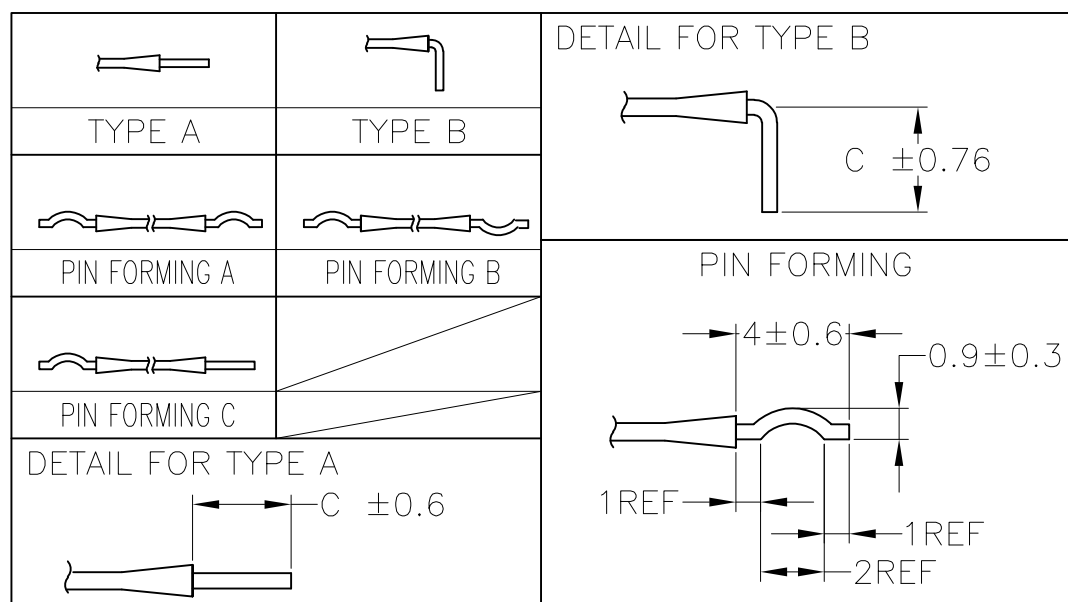
2 THE SPECIFICATION NEEDS TO BE DISCUSSED WHEN ANY OTHER CHANGE HAPPENED.

3 LEAD'S POSITIONAL DIMENSION IS MEASURED AT THE EDGE OF PAPER.

4 TOLERANCE CHART

PITCH	2~30PINS	31~50PINS
2.30~5.08	± 0.35	± 0.40
1.78~2.00	± 0.30	± 0.35
0.80~1.50	± 0.30	± 0.35

5 DIMENSION D INDICATES WIRE THICKNESS BETWEEN ① AND ②



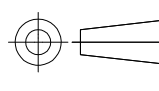
THIS DRAWING IS A CONTROLLED DOCUMENT.		DWN H.OSABE 14JAN2014	STE TE Connectivity	
		CHK M.HARASAWA 14JAN2014		
		APVD N.YAMASAKI 14JAN2014	NAME FLEXSTRIP JUMPER	
DIMENSIONS: mm		PRODUCT SPEC 108-78002		SIZE
TOLERANCES UNLESS OTHERWISE SPECIFIED:		APPLICATION SPEC		CAGE CODE
0 PLC $\pm -$		-		DRAWING NO
1 PLC $\pm -$		-		RESTRICTED TO
2 PLC $\pm -$		-		SCALE
3 PLC $\pm -$		-		SHEET
4 PLC $\pm -$		-		1 OF 9
ANGLES $\pm -$		-		REV
FINISH		-		A6
MATERIAL		WEIGHT \emptyset		CUSTOMER DRAWING
		A3 00779 C-1447169		SCALE NTS

FS1.27N, FS1.78N SERIES

P/N	Description	Pitch (A)	Tape Length (B)	Pin Length (C)	Tape Thickness (D)	Tape Thickness (E)	Pin Diameter (F)	Margin (G)	POS
1-1447169-5	FS1.27N16A11=JUMPER NOMEX	1.27	16.0	3.18	0.35MAX	0.84MAX	φ0.32	0.25MIN	11
2-1447169-8	FS1.27N33A30=JUMPER NOMEX	1.27	33.0	3.18	0.35MAX	0.84MAX	φ0.32	0.25MIN	30
7-1447169-8	FS1.78N25.4A30=JUMPER NOMEX	1.78	25.4	3.18	0.35MAX	0.84MAX	φ0.40	0.25MIN	30
8-1447169-9	FS1.78N38.1A40=JUMPER NOMEX	1.78	38.1	3.18	0.35MAX	0.84MAX	φ0.40	0.25MIN	40
1447170-7	FS1.78N63.5A40=JUMPER NOMEX	1.78	63.5	3.18	0.35MAX	0.84MAX	φ0.40	0.25MIN	40
1447170-8	FS1.78N63.5A5=JUMPER NOMEX	1.78	63.5	3.18	0.35MAX	0.84MAX	φ0.40	0.25MIN	5
1-1447170-4	FS1.78N76.2A30=JUMPER NOMEX	1.78	76.2	3.18	0.35MAX	0.84MAX	φ0.40	0.25MIN	30

THIS DRAWING IS UNPUBLISHED. RELEASED FOR PUBLICATION
 © COPYRIGHT - By - ALL RIGHTS RESERVED.

REVISIONS				
P	LTR	DESCRIPTION	DATE	APVD
-	-	SEE SHEET 1	-	-

THIS DRAWING IS A CONTROLLED DOCUMENT.		DWN	-		
DIMENSIONS: mm		CHK	-		
TOLERANCES UNLESS OTHERWISE SPECIFIED:		APVD	-		
		SEE SHEET 1			
MATERIAL		PRODUCT SPEC	108-78002		
FINISH		APPLICATION SPEC	-		
		WEIGHT	0		
		SIZE	CAGE CODE	DRAWING NO	RESTRICTED TO
		A3	00779	C-1447169	-
CUSTOMER DRAWING		SCALE	SHEET	REV	
		NTS	2 of 9	A6	



FLEXSTRIP JUMPER

THIS DRAWING IS UNPUBLISHED.

RELEASED FOR PUBLICATION

REVISIONS

© COPYRIGHT - By -

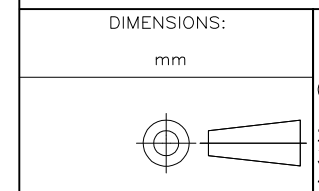
ALL RIGHTS RESERVED.

P	LTR	DESCRIPTION	DATE	DWN	APVD
-	-	SEE SHEET 1	-	-	-

FS2.54N SERIES

P/N	Description	Pitch (A)	Tape Length (B)	Pin Length (C)	Tape Thickness (D)	Tape Thickness (E)	Pin Diameter (F)	Margin (G)	POS
9-1447170-8	FS2.54N15A18 =JUMPER NOMEX	2.54	15.0	3.18	0.35MAX	0.84MAX	φ0.51	0.25MIN	18
1447171-3	FS2.54N15A5 =JUMPER NOMEX	2.54	15.0	3.18	0.35MAX	0.84MAX	φ0.51	0.25MIN	5
1447171-5	FS2.54N15A8 =JUMPER NOMEX	2.54	15.0	3.18	0.35MAX	0.84MAX	φ0.51	0.25MIN	8
1447171-6	FS2.54N16A10 =JUMPER NOMEX	2.54	16.0	3.18	0.35MAX	0.84MAX	φ0.51	0.25MIN	10
2-1447171-0	FS2.54N17A8 =JUMPER NOMEX	2.54	17.0	3.18	0.35MAX	0.84MAX	φ0.51	0.25MIN	8
2-1447171-6	FS2.54N18A4 =JUMPER NOMEX	2.54	18.0	3.18	0.35MAX	0.84MAX	φ0.51	0.25MIN	4
3-1447171-5	FS2.54N20A20 =JUMPER NOMEX	2.54	20.0	3.18	0.35MAX	0.84MAX	φ0.51	0.25MIN	20
4-1447171-1	FS2.54N21A12 =JUMPER NOMEX	2.54	21.0	3.18	0.35MAX	0.84MAX	φ0.51	0.25MIN	12
4-1447171-9	FS2.54N30A10 =JUMPER NOMEX	2.54	30.0	3.18	0.35MAX	0.84MAX	φ0.51	0.25MIN	10
5-1447171-8	FS2.54N30A15 =JUMPER NOMEX	2.54	30.0	3.18	0.35MAX	0.84MAX	φ0.51	0.25MIN	15
6-1447171-2	FS2.54N30A17 =JUMPER NOMEX	2.54	30.0	3.18	0.35MAX	0.84MAX	φ0.51	0.25MIN	17
6-1447171-3	FS2.54N30A18 =JUMPER NOMEX	2.54	30.0	3.18	0.35MAX	0.84MAX	φ0.51	0.25MIN	18
6-1447171-6	FS2.54N30A20 =JUMPER NOMEX	2.54	30.0	3.18	0.35MAX	0.84MAX	φ0.51	0.25MIN	20
8-1447171-3	FS2.54N30A1 =JUMPER NOMEX	2.54	30.0	3.18	0.35MAX	0.84MAX	φ0.51	0.25MIN	4
8-1447171-5	FS2.54N30A7 =JUMPER NOMEX	2.54	30.0	3.18	0.35MAX	0.84MAX	φ0.51	0.25MIN	7
8-1447171-8	FS2.54N30A9 =JUMPER NOMEX	2.54	30.0	3.18	0.35MAX	0.84MAX	φ0.51	0.25MIN	9
9-1447171-0	FS2.54N33A10 =JUMPER NOMEX	2.54	33.0	3.18	0.35MAX	0.84MAX	φ0.51	0.25MIN	10
9-1447171-3	FS2.54N35A13 =JUMPER NOMEX	2.54	35.0	3.18	0.35MAX	0.84MAX	φ0.51	0.25MIN	13
9-1447171-8	FS2.54N35A19 =JUMPER NOMEX	2.54	35.0	3.18	0.35MAX	0.84MAX	φ0.51	0.25MIN	19
2-1447172-0	FS2.54N40A22P39 =JUMPER NOMEX	2.54	40.0	3.90	0.35MAX	0.84MAX	φ0.51	0.25MIN	22
2-1447172-9	FS2.54N40A28 =JUMPER NOMEX	2.54	40.0	3.18	0.35MAX	0.84MAX	φ0.51	0.25MIN	28
3-1447172-5	FS2.54N40A6 =JUMPER NOMEX	2.54	40.0	3.18	0.35MAX	0.84MAX	φ0.51	0.25MIN	6
3-1447172-7	FS2.54N40A8 =JUMPER NOMEX	2.54	40.0	3.18	0.35MAX	0.84MAX	φ0.51	0.25MIN	8
1473635-1	FS2.54N42A20 =JUMPER NOMEX	2.54	42.0	3.18	0.35MAX	0.84MAX	φ0.51	0.25MIN	20
1717056-4	FS2.54N55A15 =JUMPER NOMEX	2.54	55.0	3.18	0.35MAX	0.84MAX	φ0.51	0.25MIN	15
5-1447172-2	FS2.54N55A18 =JUMPER NOMEX	2.54	55.0	3.18	0.35MAX	0.84MAX	φ0.51	0.25MIN	18
5-1447172-6	FS2.54N55A30 =JUMPER NOMEX	2.54	55.0	3.18	0.35MAX	0.84MAX	φ0.51	0.25MIN	30
1717056-3	FS2.54N55A5 =JUMPER NOMEX	2.54	55.0	3.18	0.35MAX	0.84MAX	φ0.51	0.25MIN	5
5-1447172-9	FS2.54N68A22 =JUMPER NOMEX	2.54	58.0	3.18/4.5	0.35MAX	0.84MAX	φ0.51	0.25MIN	22
6-1447172-3	FS2.54N70A17PA =JUMPER (PA4.0)	2.54	70.0	4.00	0.35MAX	0.84MAX	φ0.51	0.25MIN	17

THIS DRAWING IS A CONTROLLED DOCUMENT.



MATERIAL FINISH

DWN	-
CHK	-
APVD	-
PRODUCT SPEC	108-78002
APPLICATION SPEC	-
WEIGHT	0

SEE SHEET 1



FLEXSTRIP JUMPER

SIZE	CAGE CODE	DRAWING NO	RESTRICTED TO
A3	00779	C-1447169	-

CUSTOMER DRAWING SCALE NTS SHEET 3 of 9 REV A6

THIS DRAWING IS UNPUBLISHED.

RELEASED FOR PUBLICATION

REVISIONS


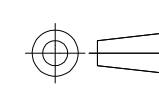
© COPYRIGHT - By -

ALL RIGHTS RESERVED.

P	LTR	DESCRIPTION	DATE	DWN	APVD
-	-	SEE SHEET 1	-	-	-

FSN SERIES NO.1

P/N	Description	Pitch (A)	Tape Length (B)	Pin Length (C)	Tape Thickness (D)	Tape Thickness (E)	Pin Diameter (F)	Margin (G)	POS
6-1447182-9	FSN-1.5A-10= JUMPER NOMEM	1.27	12.7	3.18	0.35MAX	0.44MAX	ø 0.32	0.25MIN	10
7-1447182-1	FSN-1.5A-12= JUMPER NOMEM	1.27	12.7	3.18	0.35MAX	0.44MAX	ø 0.32	0.25MIN	12
3-1437127-7	FSN-1.5A-13= JUMPER NOMEM	1.27	12.7	3.18	0.35MAX	0.44MAX	ø 0.32	0.25MIN	13
4-1437127-1	FSN-1.5A-17= JUMPER NOMEM	1.27	12.7	3.18	0.35MAX	0.44MAX	ø 0.32	0.25MIN	17
4-1437127-2	FSN-1.5A-18= JUMPER NOMEM	1.27	12.7	3.18	0.35MAX	0.44MAX	ø 0.32	0.25MIN	18
7-1447182-4	FSN-1.5A-19= JUMPER NOMEM	1.27	12.7	3.18	0.35MAX	0.44MAX	ø 0.32	0.25MIN	19
4-1437127-3	FSN-1.5A-20= JUMPER NOMEM	1.27	12.7	3.18	0.35MAX	0.44MAX	ø 0.32	0.25MIN	20
7-1447182-7	FSN-1.5A-22= JUMPER NOMEM	1.27	12.7	3.18	0.35MAX	0.44MAX	ø 0.32	0.25MIN	22
4-1437127-8	FSN-1.5A-25= JUMPER NOMEM	1.27	12.7	3.18	0.35MAX	0.44MAX	ø 0.32	0.25MIN	25
8-1447182-0	FSN-1.5A-3= JUMPER NOMEM	1.27	12.7	3.18	0.35MAX	0.44MAX	ø 0.32	0.25MIN	3
5-1437127-1	FSN-1.5A-32= JUMPER NOMEM	1.27	12.7	3.18	0.35MAX	0.44MAX	ø 0.32	0.25MIN	32
5-1437127-6	FSN-1.5A-5= JUMPER NOMEM	1.27	12.7	3.18	0.35MAX	0.44MAX	ø 0.32	0.25MIN	5
8-1447182-3	FSN-1.5A-6= JUMPER NOMEM	1.27	12.7	3.18	0.35MAX	0.44MAX	ø 0.32	0.25MIN	6
1437129-6	FSN-11.5A-10= JUMPER NOMEM	1.27	38.1	3.18	0.35MAX	0.44MAX	ø 0.32	0.25MIN	10
8-1447182-9	FSN-11.5A-13= JUMPER NOMEM	1.27	38.1	3.18	0.35MAX	0.44MAX	ø 0.32	0.25MIN	13
9-1447182-0	FSN-11.5A-16= JUMPER NOMEM	1.27	38.1	3.18	0.35MAX	0.44MAX	ø 0.32	0.25MIN	16
1-1437129-1	FSN-11.5A-18= JUMPER NOMEM	1.27	38.1	3.18	0.35MAX	0.44MAX	ø 0.32	0.25MIN	18
1-1437129-3	FSN-11.5A-20= JUMPER NOMEM	1.27	38.1	3.18	0.35MAX	0.44MAX	ø 0.32	0.25MIN	20
9-1447182-4	FSN-11.5A-22= JUMPER NOMEM	1.27	38.1	3.18	0.35MAX	0.44MAX	ø 0.32	0.25MIN	22
9-1447182-8	FSN-11.5A-25= JUMPER NOMEM	1.27	38.1	3.18	0.35MAX	0.44MAX	ø 0.32	0.25MIN	25
1447183-6	FSN-11.5A-4= JUMPER NOMEM	1.27	38.1	3.18	0.35MAX	0.44MAX	ø 0.32	0.25MIN	4
2-1437129-2	FSN-11.5A-5= JUMPER NOMEM	1.27	38.1	3.18	0.35MAX	0.44MAX	ø 0.32	0.25MIN	5
2-1437129-5	FSN-11.5A-7= JUMPER NOMEM	1.27	38.1	3.18	0.35MAX	0.44MAX	ø 0.32	0.25MIN	7
2-1437129-6	FSN-11.5A-8= JUMPER NOMEM	1.27	38.1	3.18	0.35MAX	0.44MAX	ø 0.32	0.25MIN	8
2-1437129-7	FSN-11.5A-9= JUMPER NOMEM	1.27	38.1	3.18	0.35MAX	0.44MAX	ø 0.32	0.25MIN	9
1437130-4	FSN-11A-10= JUMPER NOMEM	1.27	25.4	3.18	0.35MAX	0.44MAX	ø 0.32	0.25MIN	10
1437130-8	FSN-11A-12= JUMPER NOMEM	1.27	25.4	3.18	0.35MAX	0.44MAX	ø 0.32	0.25MIN	12
1-1437130-1	FSN-11A-14= JUMPER NOMEM	1.27	25.4	3.18	0.35MAX	0.44MAX	ø 0.32	0.25MIN	14
1-1437130-3	FSN-11A-15= JUMPER NOMEM	1.27	25.4	3.18	0.35MAX	0.44MAX	ø 0.32	0.25MIN	15
1-1437130-4	FSN-11A-16= JUMPER NOMEM	1.27	25.4	3.18	0.35MAX	0.44MAX	ø 0.32	0.25MIN	16
1-1437130-6	FSN-11A-18= JUMPER NOMEM	1.27	25.4	3.18	0.35MAX	0.44MAX	ø 0.32	0.25MIN	18
1-1437130-9	FSN-11A-20= JUMPER NOMEM	1.27	25.4	3.18	0.35MAX	0.44MAX	ø 0.32	0.25MIN	20
2-1437130-1	FSN-11A-22= JUMPER NOMEM	1.27	25.4	3.18	0.35MAX	0.44MAX	ø 0.32	0.25MIN	22
2-1437130-2	FSN-11A-23= JUMPER NOMEM	1.27	25.4	3.18	0.35MAX	0.44MAX	ø 0.32	0.25MIN	23
2-1437130-3	FSN-11A-24= JUMPER NOMEM	1.27	25.4	3.18	0.35MAX	0.44MAX	ø 0.32	0.25MIN	24
2-1437130-5	FSN-11A-26= JUMPER NOMEM	1.27	25.4	3.18	0.35MAX	0.44MAX	ø 0.32	0.25MIN	26
1-1447183-7	FSN-11A-27= JUMPER NOMEM	1.27	25.4	3.18	0.35MAX	0.44MAX	ø 0.32	0.25MIN	27
2-1437130-6	FSN-11A-28= JUMPER NOMEM	1.27	25.4	3.18	0.35MAX	0.44MAX	ø 0.32	0.25MIN	28
2-1437130-9	FSN-11A-30= JUMPER NOMEM	1.27	25.4	3.18	0.35MAX	0.44MAX	ø 0.32	0.25MIN	30
3-1437130-3	FSN-11A-5= JUMPER NOMEM	1.27	25.4	3.18	0.35MAX	0.44MAX	ø 0.32	0.25MIN	5
3-1437130-4	FSN-11A-6= JUMPER NOMEM	1.27	25.4	3.18	0.35MAX	0.44MAX	ø 0.32	0.25MIN	6
3-1437130-6	FSN-11A-8= JUMPER NOMEM	1.27	25.4	3.18	0.35MAX	0.44MAX	ø 0.32	0.25MIN	8
2-1447183-1	FSN-11A-8PL2.5= JUMPER NOMEM	1.27	25.4	2.50	0.35MAX	0.44MAX	ø 0.32	0.25MIN	8
2-1447183-7	FSN-12.5A-13= JUMPER NOMEM	1.27	63.5	3.18	0.35MAX	0.44MAX	ø 0.32	0.25MIN	13
1-1437131-1	FSN-12.5A-20= JUMPER NOMEM	1.27	63.5	3.18	0.35MAX	0.44MAX	ø 0.32	0.25MIN	20
1-1437131-5	FSN-12.5A-30= JUMPER NOMEM	1.27	63.5	3.18	0.35MAX	0.44MAX	ø 0.32	0.25MIN	30
5-1437131-2	FSN-12A-14= JUMPER NOMEM	1.27	50.8	3.18	0.35MAX	0.44MAX	ø 0.32	0.25MIN	14
5-1437131-3	FSN-12A-15= JUMPER NOMEM	1.27	50.8	3.18	0.35MAX	0.44MAX	ø 0.32	0.25MIN	15
6-1437131-0	FSN-12A-21= JUMPER NOMEM	1.27	50.8	3.18	0.35MAX	0.44MAX	ø 0.32	0.25MIN	21
6-1437131-4	FSN-12A-25= JUMPER NOMEM	1.27	50.8	3.18	0.35MAX	0.44MAX	ø 0.32	0.25MIN	25
6-1437131-8	FSN-12A-30= JUMPER NOMEM	1.27	50.8	3.18	0.35MAX	0.44MAX	ø 0.32	0.25MIN	30
2-1437161-8	FSN-12A-4= JUMPER NOMEM	1.27	50.8	3.18	0.35MAX	0.44MAX	ø 0.32	0.25MIN	4
7-1437131-5	FSN-12A-8= JUMPER NOMEM	1.27	50.8	3.18	0.35MAX	0.44MAX	ø 0.32	0.25MIN	8
4-1447183-3	FSN-13.5A-24= JUMPER NOMEM	1.27	88.9	3.18	0.35MAX	0.44MAX	ø 0.32	0.25MIN	24
1-1437133-9	FSN-14A-10= JUMPER NOMEM	1.27	101.6	3.18	0.35MAX	0.44MAX	ø 0.32	0.25MIN	10
4-1447183-9	FSN-14A-16= JUMPER NOMEM	1.27	101.6	3.18	0.35MAX	0.44MAX	ø 0.32	0.25MIN	16
6-1447183-1	FSN-15A-25= JUMPER NOMEM	1.27	127.0	3.18	0.35MAX	0.44MAX	ø 0.32	0.25MIN	25

THIS DRAWING IS A CONTROLLED DOCUMENT.		DWN -		 TE Connectivity			
DIMENSIONS: mm		CHK -				NAME	
		APVD -					
TOLERANCES UNLESS OTHERWISE SPECIFIED:		PRODUCT SPEC				SIZE	
0 PLC ± - 1 PLC ± - 2 PLC ± - 3 PLC ± - 4 PLC ± - ANGLES ± -		SEE SHEET 1 108-78002		CAGE CODE			
MATERIAL		FINISH		DRAWING NO			
				RESTRICTED TO			
		WEIGHT 0		A3 00779			
CUSTOMER DRAWING		SCALE NTS		SHEET 6 OF 9			
				REV A6			

THIS DRAWING IS UNPUBLISHED.

RELEASED FOR PUBLICATION

REVISIONS

© COPYRIGHT - By -

ALL RIGHTS RESERVED.

P	LTR	DESCRIPTION	DATE	DWN	APVD
-	-	SEE SHEET 1	-	-	-

FSN SERIES NO.4

P/N	Description	Pitch (A)	Tape Length (B)	Pin Length (C)	Tape Thickness (D)	Tape Thickness (E)	Pin Diameter (F)	MargIn (G)	POS
8-1437143-5	FSN-23A-9= JUMPER NOMEM	2.54	88.9	3.18	0.35MAX	0.84MAX	φ0.51	0.25MIN	8
8-1437143-6	FSN-23A-9= JUMPER NOMEM	2.54	88.9	3.18	0.35MAX	0.84MAX	φ0.51	0.25MIN	9
2-1437144-5	FSN-23A-10= JUMPER NOMEM	2.54	76.2	3.18	0.35MAX	0.84MAX	φ0.51	0.25MIN	10
2-1437144-7	FSN-23A-11= JUMPER NOMEM	2.54	76.2	3.18	0.35MAX	0.84MAX	φ0.51	0.25MIN	11
3-1437144-0	FSN-23A-13= JUMPER NOMEM	2.54	76.2	3.18	0.35MAX	0.84MAX	φ0.51	0.25MIN	13
3-1437144-1	FSN-23A-14= JUMPER NOMEM	2.54	76.2	3.18	0.35MAX	0.84MAX	φ0.51	0.25MIN	14
3-1437144-3	FSN-23A-15= JUMPER NOMEM	2.54	76.2	3.18	0.35MAX	0.84MAX	φ0.51	0.25MIN	15
3-1437144-4	FSN-23A-16= JUMPER NOMEM	2.54	76.2	3.18	0.35MAX	0.84MAX	φ0.51	0.25MIN	16
3-1437144-6	FSN-23A-18= JUMPER NOMEM	2.54	76.2	3.18	0.35MAX	0.84MAX	φ0.51	0.25MIN	18
4-1447187-2	FSN-23A-18-3.5= JUMPER (PL3.5)	2.54	76.2	3.50	0.35MAX	0.84MAX	φ0.51	0.25MIN	18
3-1437144-8	FSN-23A-19= JUMPER NOMEM	2.54	76.2	3.18	0.35MAX	0.84MAX	φ0.51	0.25MIN	19
4-1437144-0	FSN-23A-20= JUMPER NOMEM	2.54	76.2	3.18	0.35MAX	0.84MAX	φ0.51	0.25MIN	20
4-1437144-2	FSN-23A-21= JUMPER NOMEM	2.54	76.2	3.18	0.35MAX	0.84MAX	φ0.51	0.25MIN	21
4-1437144-3	FSN-23A-22= JUMPER NOMEM	2.54	76.2	3.18	0.35MAX	0.84MAX	φ0.51	0.25MIN	22
4-1437144-4	FSN-23A-23= JUMPER NOMEM	2.54	76.2	3.18	0.35MAX	0.84MAX	φ0.51	0.25MIN	23
4-1437144-5	FSN-23A-24= JUMPER NOMEM	2.54	76.2	3.18	0.35MAX	0.84MAX	φ0.51	0.25MIN	24
4-1437144-6	FSN-23A-25= JUMPER NOMEM	2.54	76.2	3.18	0.35MAX	0.84MAX	φ0.51	0.25MIN	25
4-1437144-7	FSN-23A-26= JUMPER NOMEM	2.54	76.2	3.18	0.35MAX	0.84MAX	φ0.51	0.25MIN	26
5-1437144-1	FSN-23A-30= JUMPER NOMEM	2.54	76.2	3.18	0.35MAX	0.84MAX	φ0.51	0.25MIN	30
5-1437144-6	FSN-23A-4= JUMPER NOMEM	2.54	76.2	3.18	0.35MAX	0.84MAX	φ0.51	0.25MIN	4
5-1437144-8	FSN-23A-5= JUMPER NOMEM	2.54	76.2	3.18	0.35MAX	0.84MAX	φ0.51	0.25MIN	5
5-1437144-9	FSN-23A-6= JUMPER NOMEM	2.54	76.2	3.18	0.35MAX	0.84MAX	φ0.51	0.25MIN	6
6-1447187-9	FSN-23A-6PA= JUMPER (PA4.0)	2.54	76.2	4.00	0.35MAX	0.84MAX	φ0.51	0.25MIN	6
6-1437144-0	FSN-23A-7= JUMPER NOMEM	2.54	76.2	3.18	0.35MAX	0.84MAX	φ0.51	0.25MIN	7
7-1447187-1	FSN-23A-8-3.5= JUMPER (PL3.5)	2.54	76.2	3.18 ^{+0.76}	0.35MAX	0.84MAX	φ0.51	0.25MIN	8
6-1437144-3	FSN-23A-9= JUMPER NOMEM	2.54	76.2	3.18	0.35MAX	0.84MAX	φ0.51	0.25MIN	9
7-1447187-8	FSN-23B-12= JUMPER NOMEM	2.54	76.2	3.18	0.35MAX	0.84MAX	φ0.51	0.25MIN	12
4-1437145-8	FSN-24A-10= JUMPER NOMEM	2.54	101.6	3.18	0.35MAX	0.84MAX	φ0.51	0.25MIN	10
8-1447178-7	FSN-24A-12PA= JUMPER NOMEM	2.54	101.6	4.00	0.35MAX	0.84MAX	φ0.51	0.25MIN	12
5-1437145-4	FSN-24A-14= JUMPER NOMEM	2.54	101.6	3.18	0.35MAX	0.84MAX	φ0.51	0.25MIN	14
5-1437145-6	FSN-24A-15= JUMPER NOMEM	2.54	101.6	3.18	0.35MAX	0.84MAX	φ0.51	0.25MIN	15
6-1437145-4	FSN-24A-2= JUMPER NOMEM	2.54	101.6	3.18	0.35MAX	0.84MAX	φ0.51	0.25MIN	2
6-1437145-5	FSN-24A-20= JUMPER NOMEM	2.54	101.6	3.18	0.35MAX	0.84MAX	φ0.51	0.25MIN	20
7-1437145-1	FSN-24A-25= JUMPER NOMEM	2.54	101.6	3.18	0.35MAX	0.84MAX	φ0.51	0.25MIN	25
8-1437145-1	FSN-24A-4= JUMPER NOMEM	2.54	101.6	3.18	0.35MAX	0.84MAX	φ0.51	0.25MIN	4
8-1437145-4	FSN-24A-5= JUMPER NOMEM	2.54	101.6	3.18	0.35MAX	0.84MAX	φ0.51	0.25MIN	5
8-1437145-6	FSN-24A-7= JUMPER NOMEM	2.54	101.6	3.18	0.35MAX	0.84MAX	φ0.51	0.25MIN	7
8-1437145-8	FSN-24A-8= JUMPER NOMEM	2.54	101.6	3.18	0.35MAX	0.84MAX	φ0.51	0.25MIN	8
2-1447188-2	FSN-25A-10= JUMPER NOMEM	2.54	127.0	3.18	0.35MAX	0.84MAX	φ0.51	0.25MIN	10
2-1447188-4	FSN-25A-11= JUMPER NOMEM	2.54	127.0	3.18	0.35MAX	0.84MAX	φ0.51	0.25MIN	11
2-1447188-8	FSN-25A-15= JUMPER NOMEM	2.54	127.0	3.18	0.35MAX	0.84MAX	φ0.51	0.25MIN	15
3-1447188-3	FSN-25A-20= JUMPER NOMEM	2.54	127.0	3.18	0.35MAX	0.84MAX	φ0.51	0.25MIN	20
3-1447188-6	FSN-25A-22= JUMPER NOMEM	2.54	127.0	3.18	0.35MAX	0.84MAX	φ0.51	0.25MIN	22
4-1447188-0	FSN-25A-3= JUMPER NOMEM	2.54	127.0	3.18	0.35MAX	0.84MAX	φ0.51	0.25MIN	3
4-1447188-7	FSN-25A-6= JUMPER NOMEM	2.54	127.0	3.18	0.35MAX	0.84MAX	φ0.51	0.25MIN	6
4-1447188-9	FSN-25A-7= JUMPER NOMEM	2.54	127.0	3.18	0.35MAX	0.84MAX	φ0.51	0.25MIN	7
9-1437146-1	FSN-26A-12= JUMPER NOMEM	2.54	152.4	3.18	0.35MAX	0.84MAX	φ0.51	0.25MIN	12
9-1437146-3	FSN-26A-1= JUMPER NOMEM	2.54	152.4	3.18	0.35MAX	0.84MAX	φ0.51	0.25MIN	14
9-1437146-6	FSN-26A-18= JUMPER NOMEM	2.54	152.4	3.18	0.35MAX	0.84MAX	φ0.51	0.25MIN	16
6-1447188-3	FSN-26A-2= JUMPER NOMEM	2.54	152.4	3.18	0.35MAX	0.84MAX	φ0.51	0.25MIN	2
1437147-9	FSN-26A-4= JUMPER NOMEM	2.54	152.4	3.18	0.35MAX	0.84MAX	φ0.51	0.25MIN	4
1-1437147-1	FSN-26A-5= JUMPER NOMEM	2.54	152.4	3.18	0.35MAX	0.84MAX	φ0.51	0.25MIN	5
1-1437147-3	FSN-26A-7= JUMPER NOMEM	2.54	152.4	3.18	0.35MAX	0.84MAX	φ0.51	0.25MIN	7
6-1447188-8	FSN-26A-8= JUMPER NOMEM	2.54	152.4	3.18	0.35MAX	0.84MAX	φ0.51	0.25MIN	8
8-1437147-9	FSN-28A-3= JUMPER NOMEM	2.54	203.2	3.18	0.35MAX	0.84MAX	φ0.51	0.25MIN	3
9-1437147-1	FSN-28A-4= JUMPER NOMEM	2.54	203.2	3.18	0.35MAX	0.84MAX	φ0.51	0.25MIN	4
9-1437147-2	FSN-28A-5= JUMPER NOMEM	2.54	203.2	3.18	0.35MAX	0.84MAX	φ0.51	0.25MIN	5
9-1447188-0	FSN-29A-4= JUMPER NOMEM	2.54	228.6	3.18	0.35MAX	0.84MAX	φ0.51	0.25MIN	4
4-1437148-7	FSN-31A-3= JUMPER NOMEM	3.18	25.4	3.18	0.35MAX	0.84MAX	φ0.51	0.25MIN	3
8-1437149-9	FSN-52A-17= JUMPER NOMEM	5.08	50.8	3.18	0.35MAX	0.84MAX	φ0.51	0.25MIN	17
9-1437149-9	FSN-52A-2= JUMPER NOMEM	5.08	50.8	3.18	0.35MAX	0.84MAX	φ0.51	0.25MIN	2

THIS DRAWING IS A CONTROLLED DOCUMENT.

DWN -
CHK -
APVD -

SEE SHEET 1

NAME: FLEXSTRIP JUMPER

PRODUCT SPEC: 108-78002

APPLICATION SPEC: -

WEIGHT: 0

CUSTOMER DRAWING

STE TE Connectivity

SIZE: A3 CAGE CODE: 00779 DRAWING NO: 1447169 RESTRICTED TO: -

SCALE: NTS SHEET: 9 of 9 REV: A6