



G24.A.W.305111

## Specification

<b>Part No.</b>	<b>G24.A.W.305111</b>
<b>Product Name</b>	<b>Ultima</b> G24 Ultima Series – Super Low Profile Penta Band Cellular Antenna Screw-mount GSM/GPRS/CDMA/HSPA (Permanent mount)
<b>Features</b>	Height 19.6mm(0.77”) and diameter 55mm(2.16”) Heavy duty screw mount UV and vandal resistant PC housing and thread IP67 compliant Standard is 3 meter low loss cable CFD200 SMA(M) White Housing Cables and Connectors Customizable ROHS Compliant



## 1. Introduction

G24.W Ultima Series Cellular Antenna is an extremely low profile 2G/3G 800MHz to 2200MHz cellular antenna solution for professional telematics applications. Suitable for GSM/GPRS/CDMA applications worldwide, at only 19.6mm (0.77") in height it is the lowest profile antenna in the market, with a diameter of only 55 mm (2.16"). It works well when mounted on both metal and non-metal. In other words it does not need a metal ground-plane to attach to, to radiate, something that competitor antennas all need. Taoglas recommend a minimum cable length of 60mm when used on a ground plane to achieve an efficiency of greater than 20%.

Durable UV PC housing, thread and nut is resistant to vandalism and direct attack.

The IP67 waterproof robust plastic body makes it extremely light, economical for shipping and minimum weight impact on vehicles. This also makes it ideal for use in humid environments such as water pits or marine applications as there are no metal parts to corrode. The closed cell foam with double-sided adhesive provides a permanent waterproof seal and can adjust to different curvatures, stopping water from leaking under the antenna into the mounting hole. Lowest loss PTFE cable is used for maximum gain and reduced noise entry through the cable.

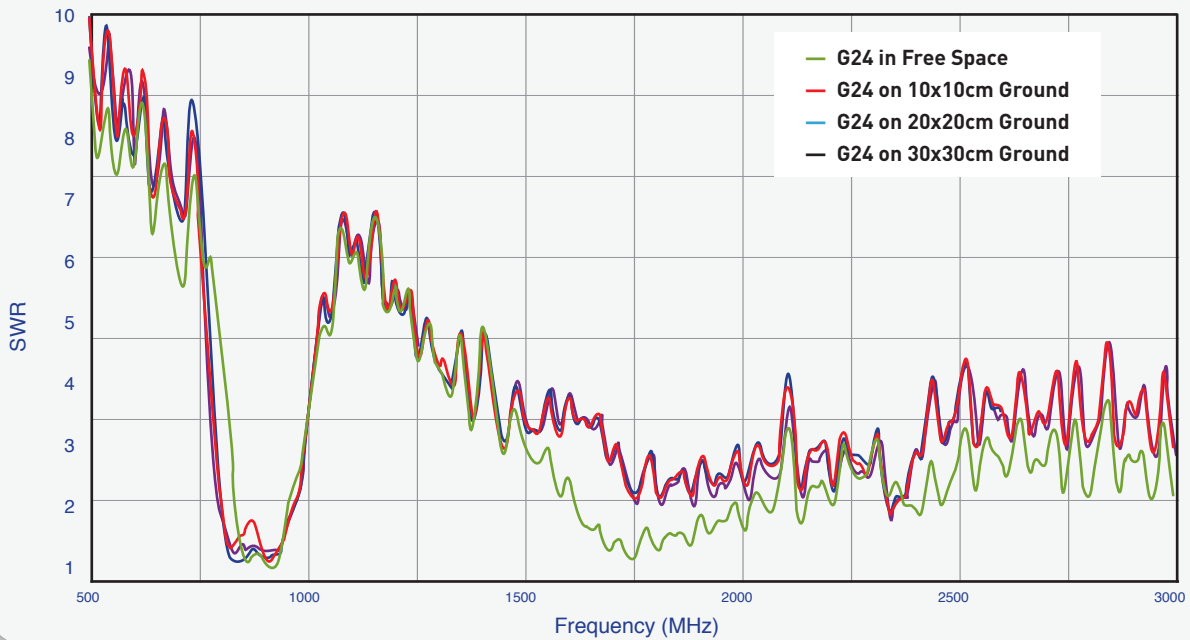
Also available in Black.

## 2. Specifications

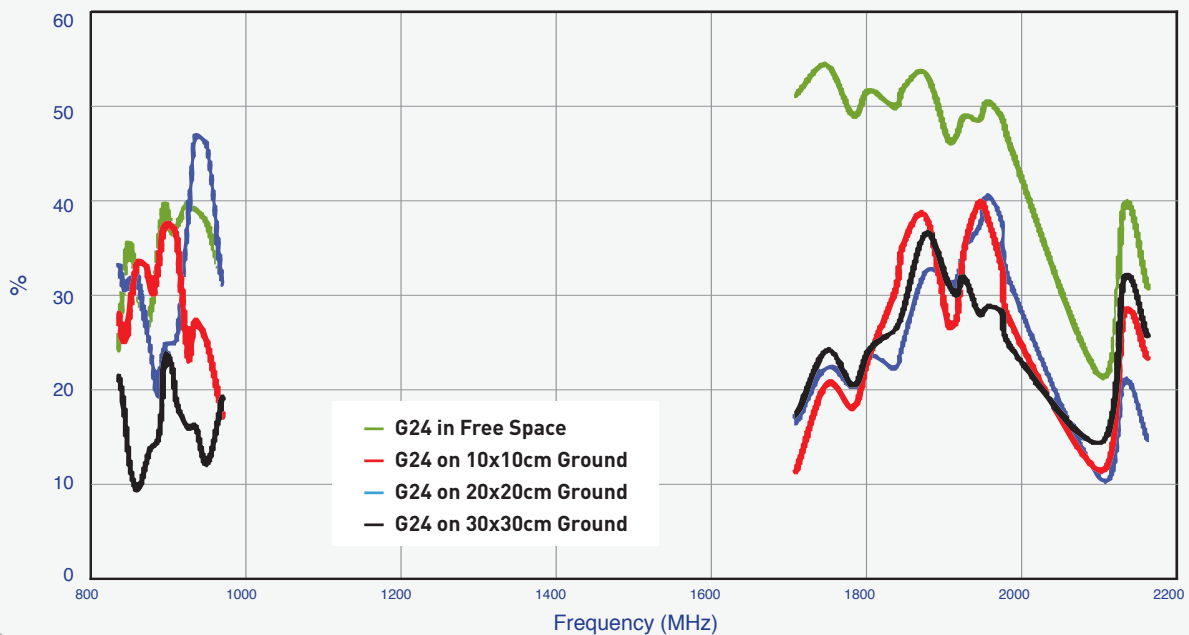
CELLULAR					
Frequency (MHz)	824 ~ 896	880 ~ 960	1710 ~ 1880	1850 ~ 1990	1710 ~ 2170
Peak Gain (dBi)					
Free space	2.0	1.8	3.9	3.9	3.9
10x10cm ground plane	-0.6	0.7	-0.2	1.7	1.7
20x20cm ground plane	1.8	1.8	3.1	3.1	3.1
30x30cm ground plane	0.0	0.0	1.7	1.7	2.0
Average Gain (dBi)					
Free space	-4.1	-4.0	-2.7	-2.8	-2.7
10x10cm ground plane	-4.8	-3.3	-4.9	-4.0	-4.0
20x20cm ground plane	-4.3	-4.3	-4.2	-4.0	-4.0
30x30cm ground plane	-6.3	-6.6	-4.4	-4.4	-4.4
Efficiency (%)					
Free space	39.1	39.3	53.4	52.5	53.4
10x10cm ground plane	33.8	46.2	32.1	40.0	40.0
20x20cm ground plane	36.9	36.9	37.8	39.3	39.3
30x30cm ground plane	23.4	23.4	36.0	36.0	36.0
Polarization	Linear				
Radiation Pattern	Omni				
Input Power	50Ω				
MECHANICAL					
Dimensions	ø55±2mm , Height 30±2 mm, Profile 19.6mm ø2.16"; Height 1.18"; Profile 0.77"				
Cable type	NFC-200				
Cable length	3000±30mm(9' 10 1/8"±1.18")				
Casing	PC				
Connector	SMA Male				
ENVIRONMENTAL					
Temperature Range	-40°C to 85°C				
Waterproof	IP-67				
Thermal Shock	100 cycles -40°C to +80°C				
Shock (drop test)	1m drop on concrete 6 axes				
Humidity	Non-condensing 65°C 95% RH				
Weight	180g				
Recommended Torque for Mounting	3.92N-m				
Max Torque for Mounting	4.9N-m				

### 3. Antenna Characteristics

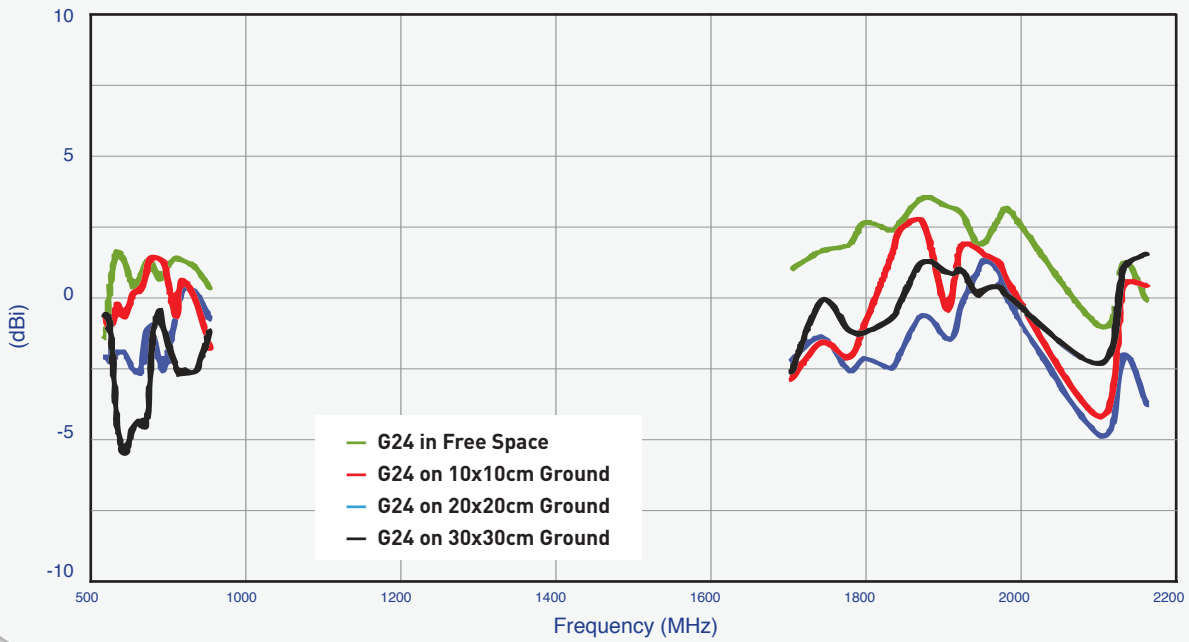
#### 3.1 Cellular antenna SWR



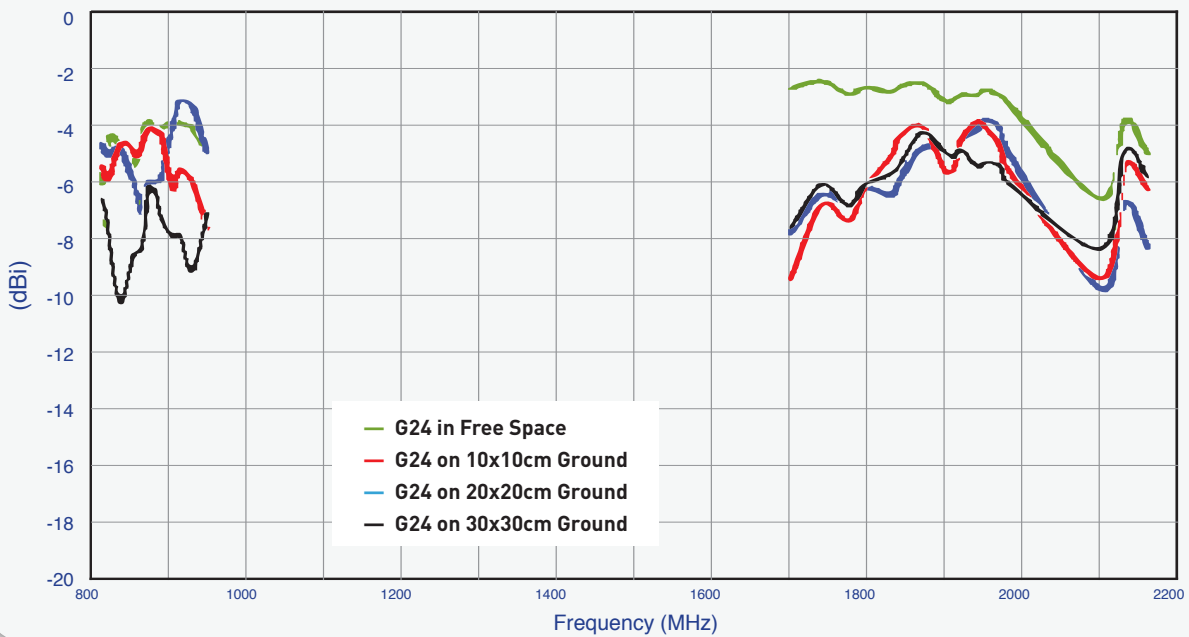
#### 3.2 Antenna Efficiency



### 3.3 Peak Gain



### 3.4 Average Gain



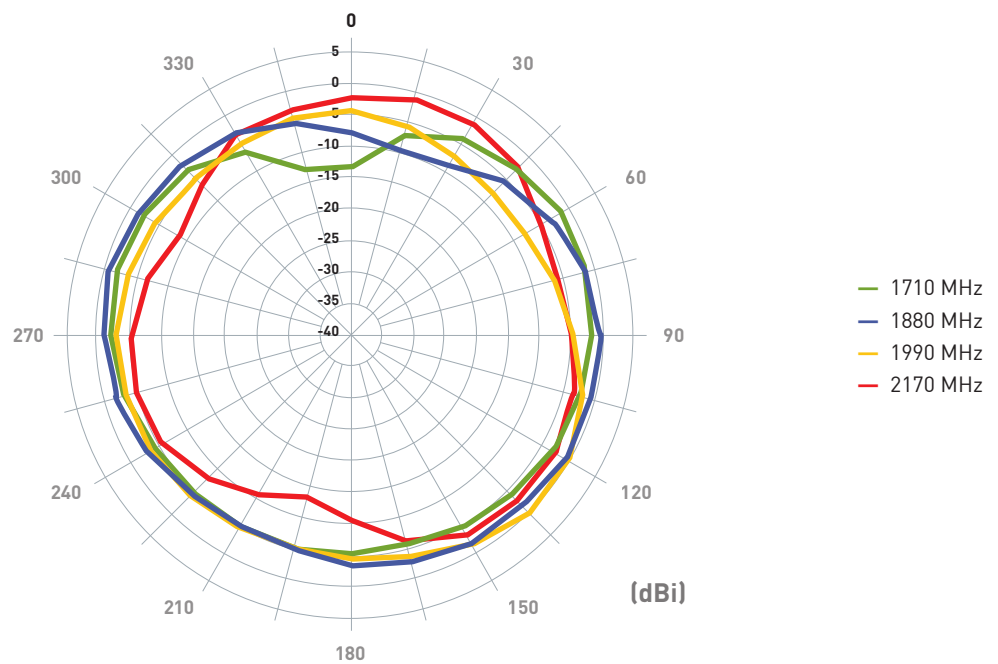
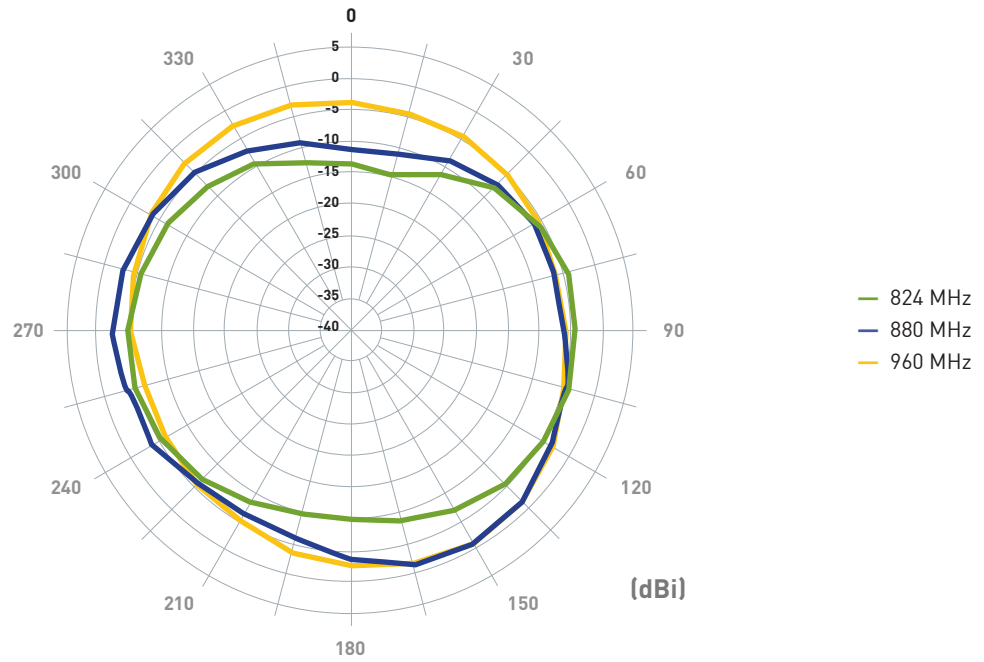
## 4. Antenna Radiation Pattern (Free Space)

### 4.1 Antenna Setup (Free Space)

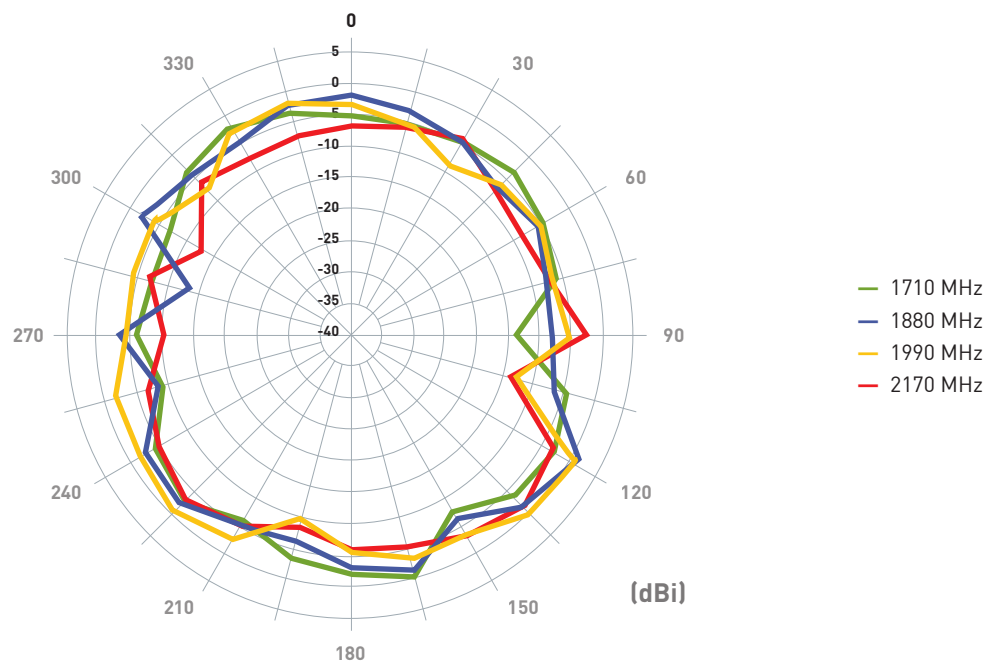
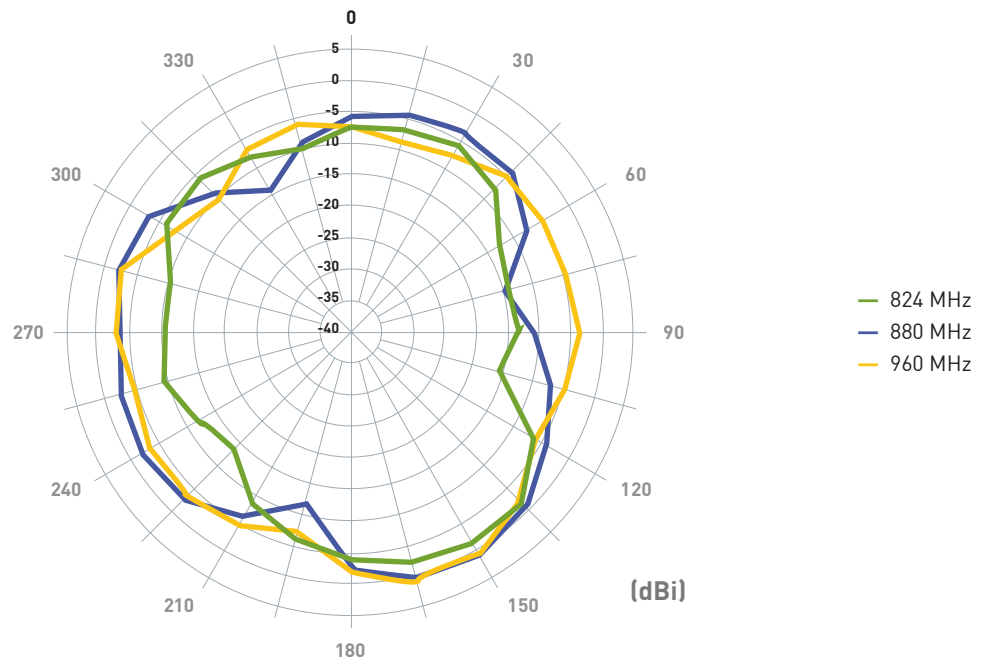


## 4.2 Radiation Pattern (Free Space)

### 4.2.1 X-Z plane (dBi) (Free Space)

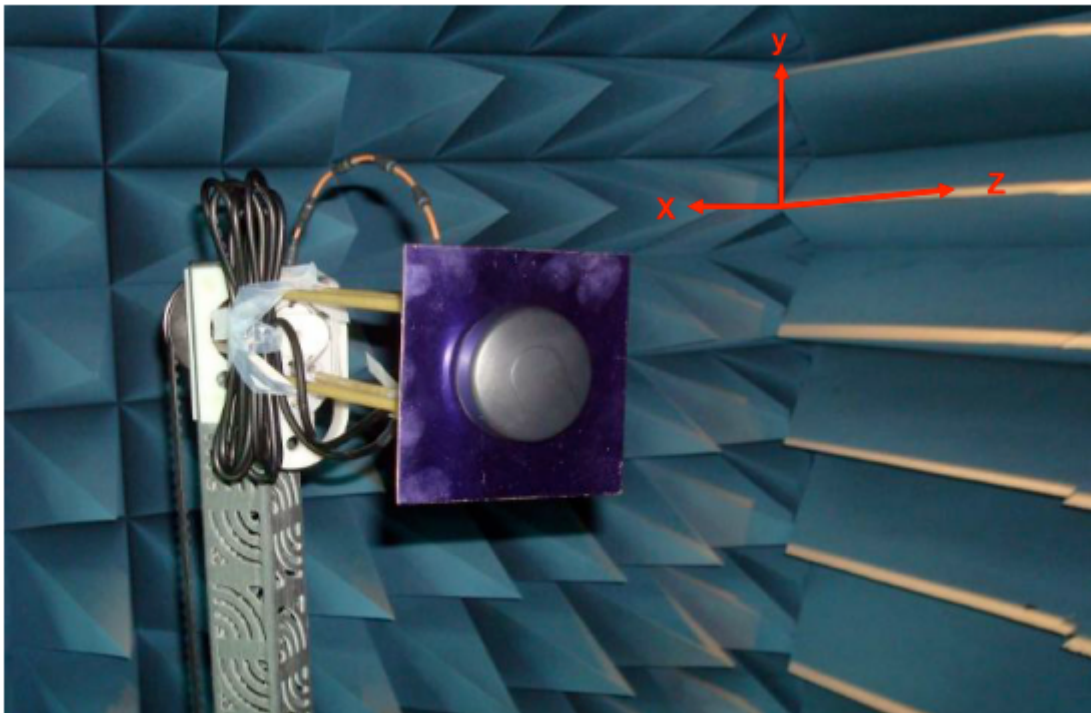


### 4.2.2 X-Z plane (dBi) (Free Space)



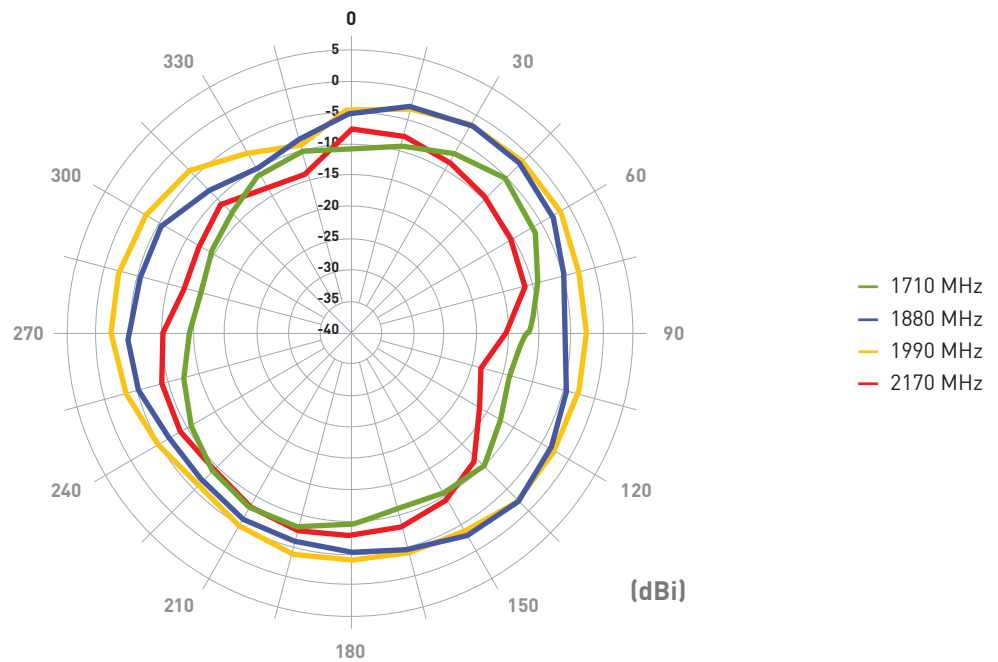
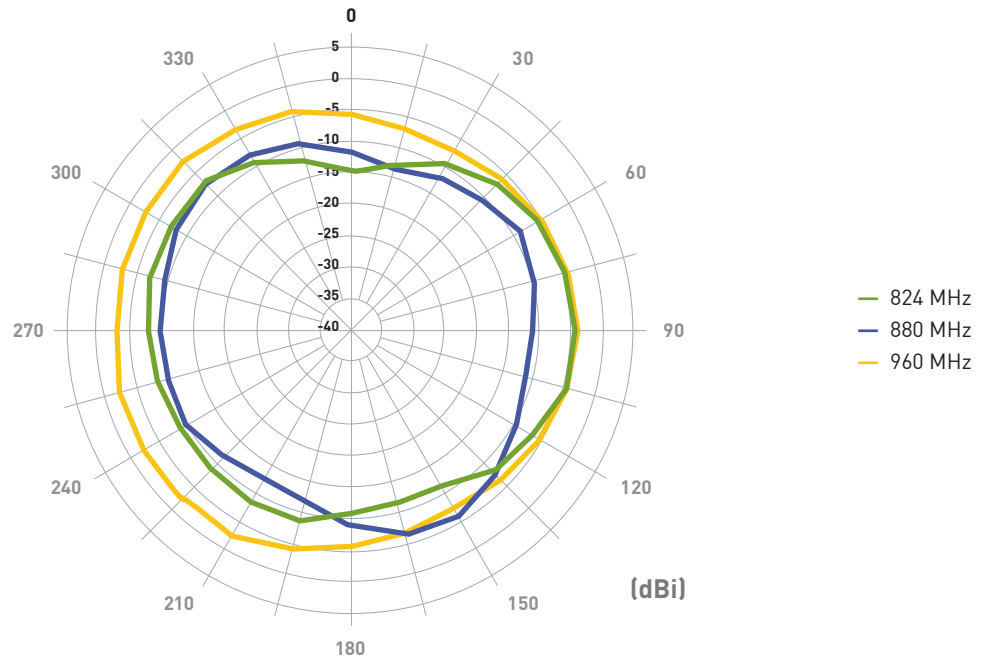


## 5.1 Antenna Setup (10\*10cm Ground Plane)

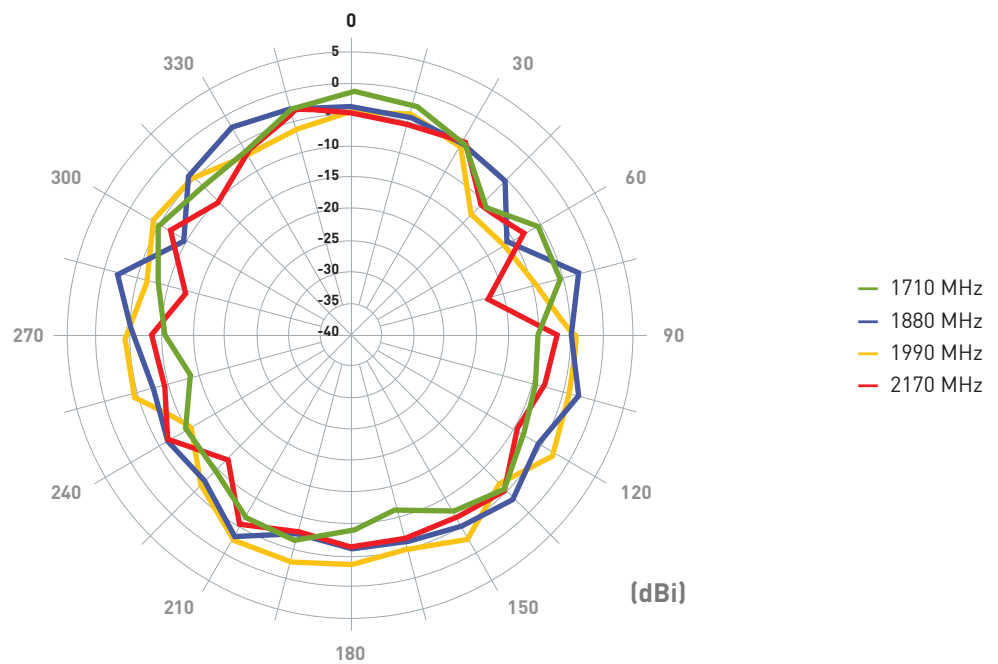
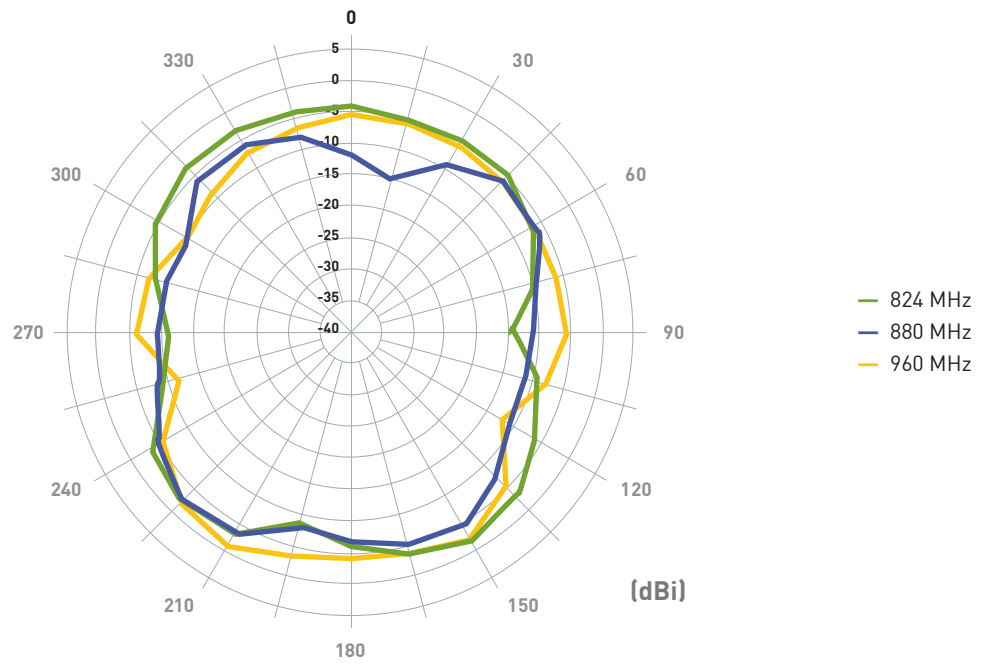


## 5.2 Radiation Pattern (10\*10cm Ground Plane)

### 5.2.1 X-Y plane (dBi) (10\*10cm Ground Plane)

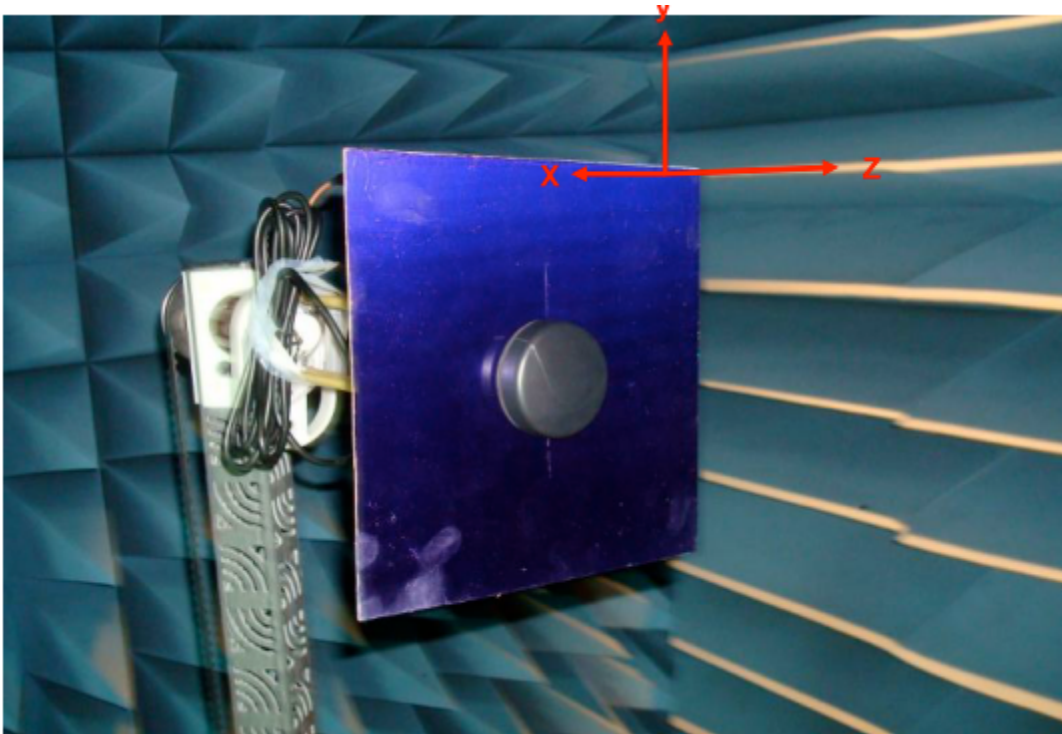


### 5.2.2 X-Z plane (dBi) (10\*10cm Ground Plane)



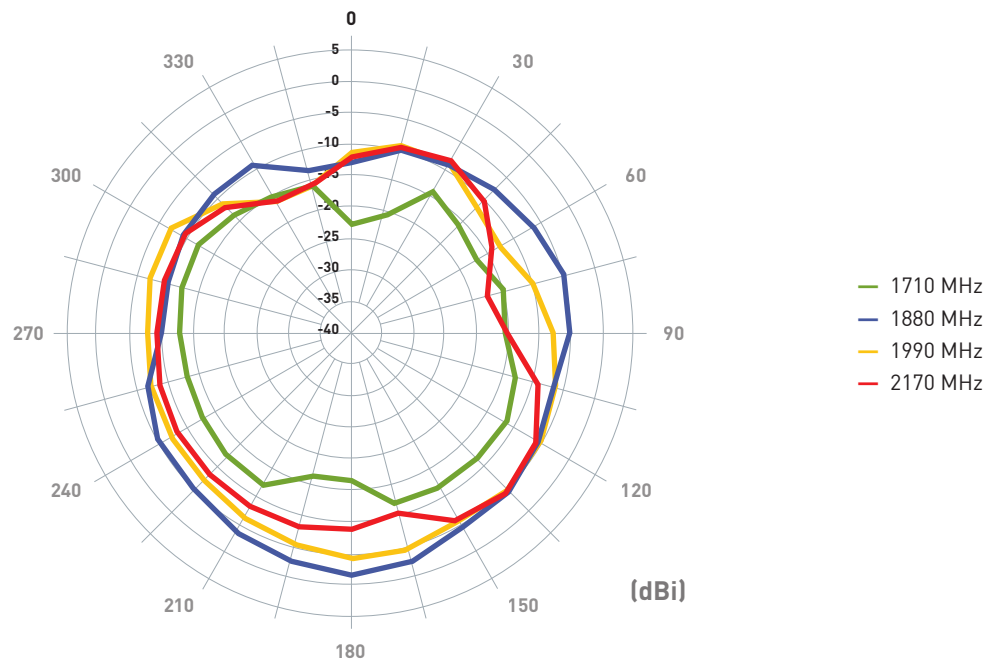
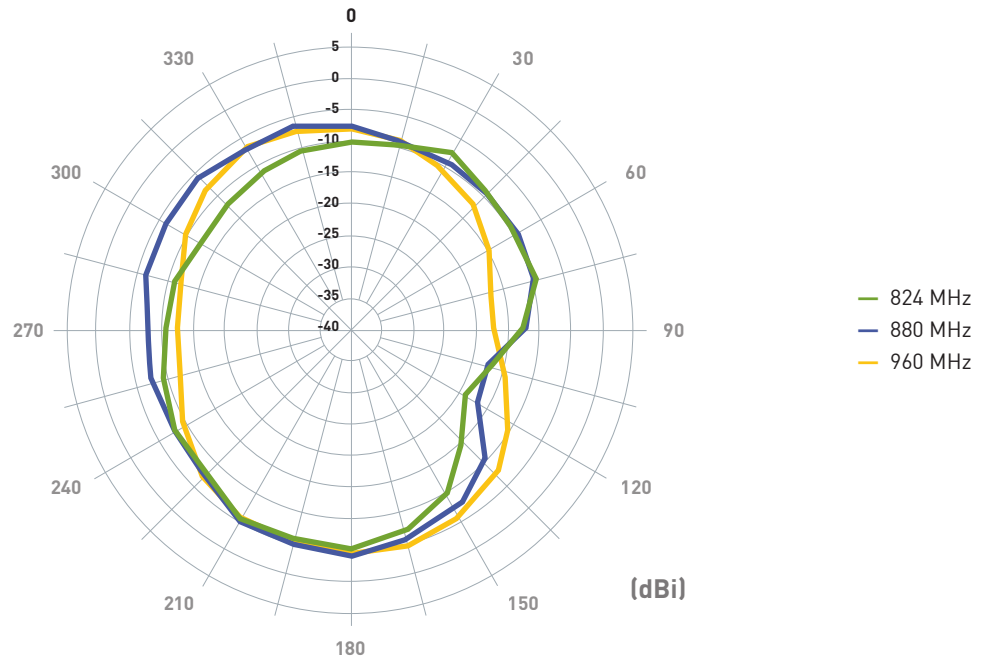
## 6. Antenna Radiation Pattern – (20\*20mm Ground Plane)

### 6.1 Antenna Setup (20\*20cm Ground Plane)

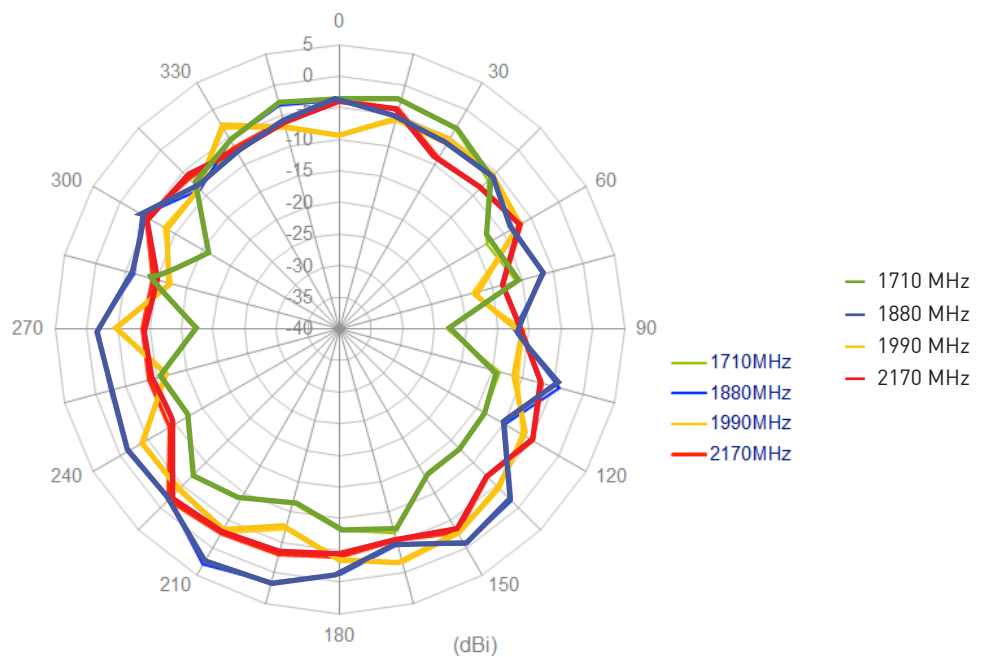
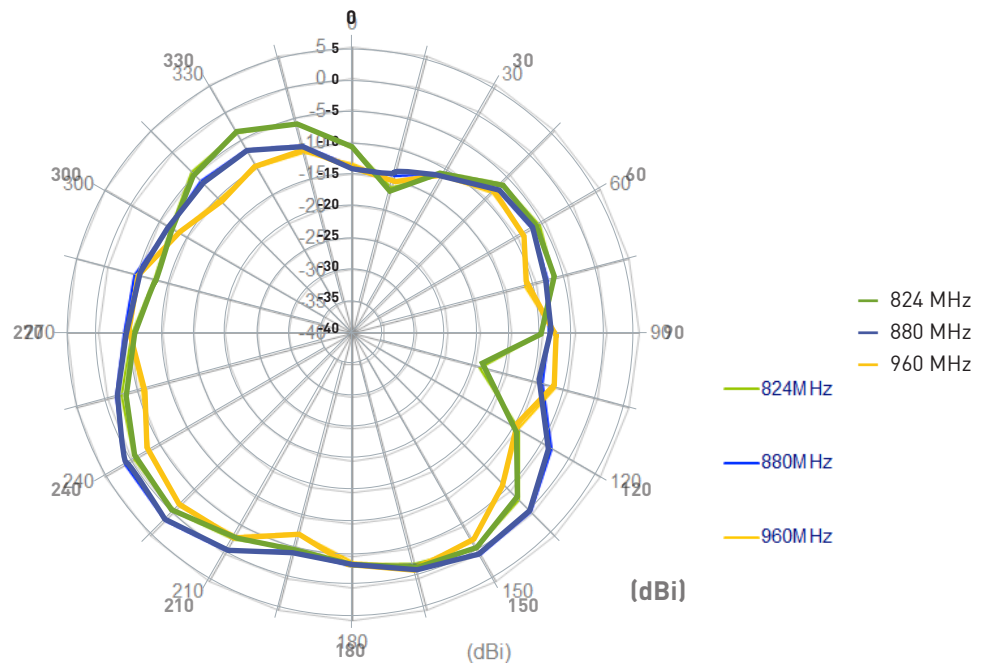


## 6.2 Radiation Pattern (20\*20cm Ground Plane)

### 6.2.1 X-Y plane (dBi) (20\*20cm Ground Plane)

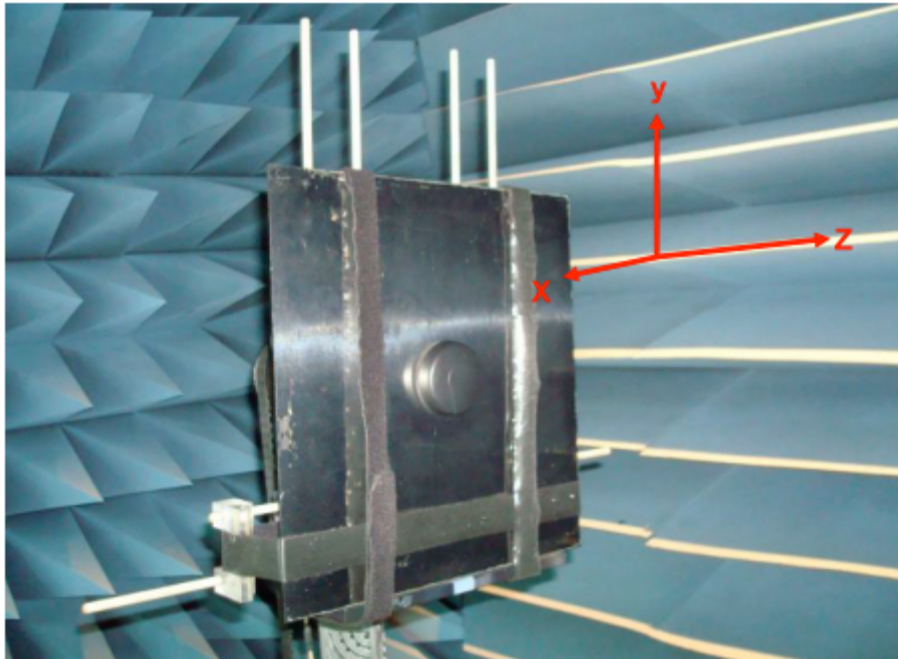


### 6.2.2 X-Z plane (dBi) (20\*20cm Ground Plane)



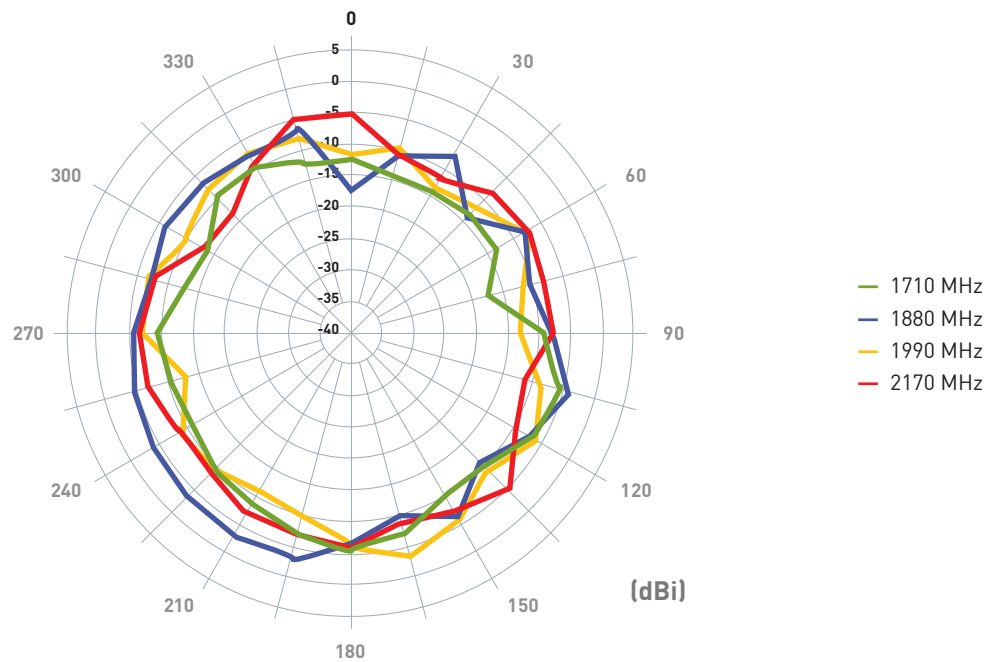
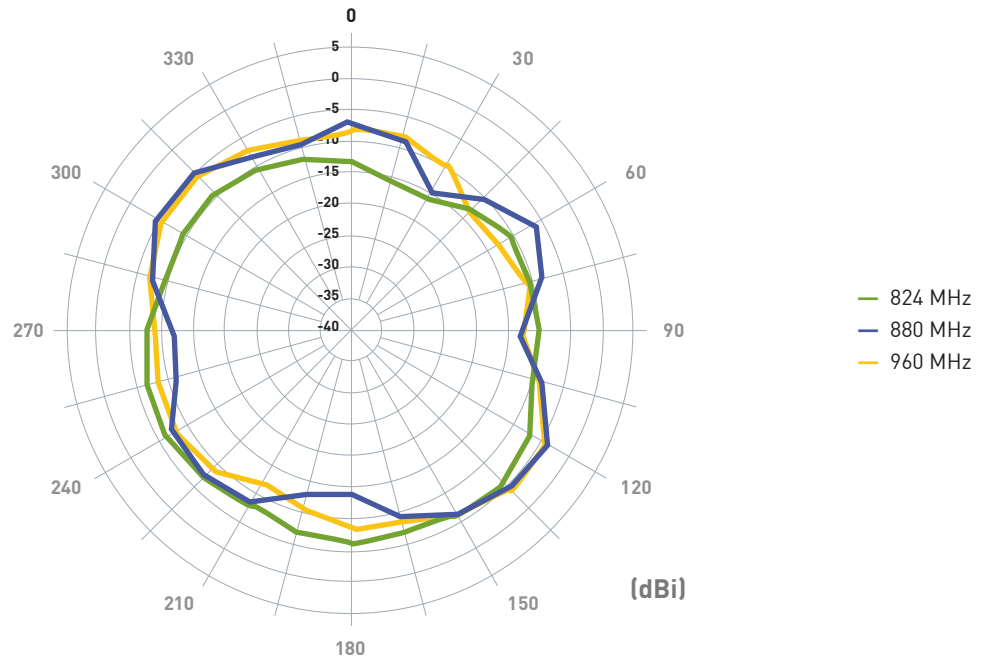
## 7. Antenna Radiation Pattern (30\*30cm Ground Plane)

### 7.1 Antenna Setup (30\*30cm Ground Plane)



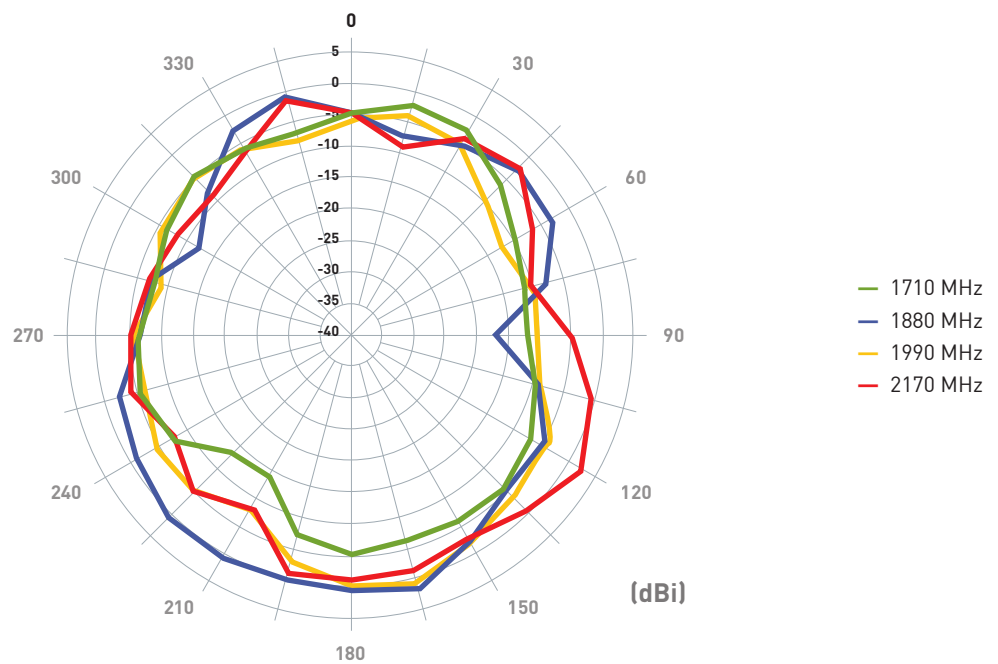
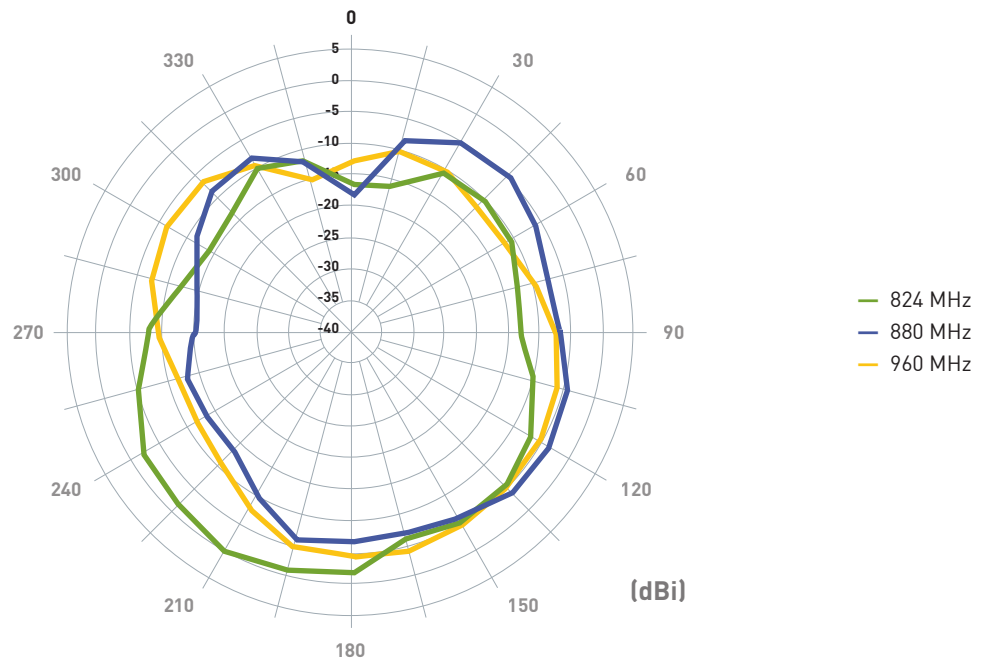
## 7.2 Radiation Pattern (20\*20cm Ground Plane)

### 7.2.1 X-Y plane (dBi) (20\*20cm Ground Plane)

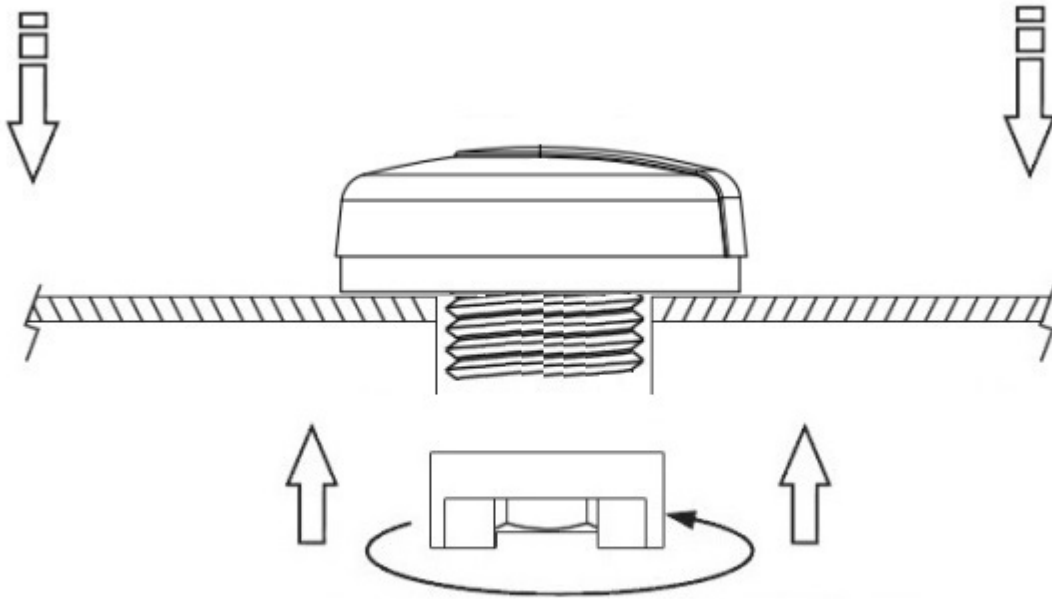




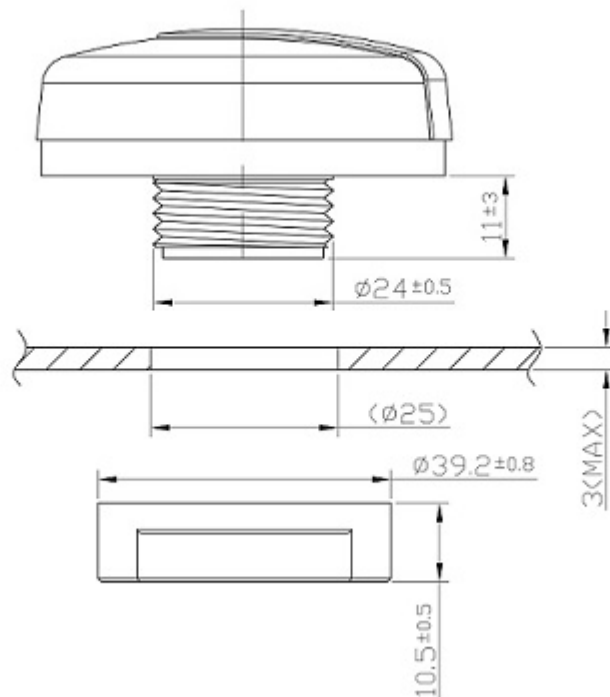
### 7.2.2 X-Z plane (dBi) (20\*20cm Ground Plane)



## 8. Installation

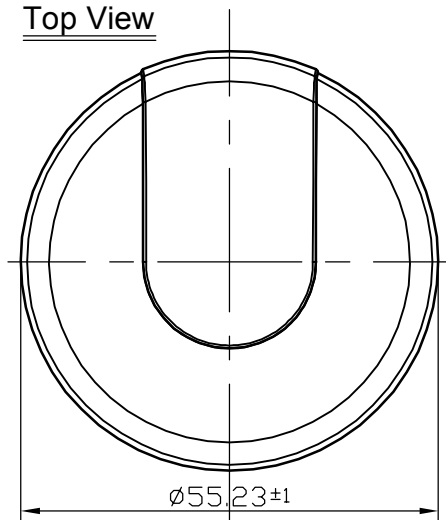


Recommended torque for Mounting is 3.92N·m  
 Maximum torque for Mounting is 4.9N·m



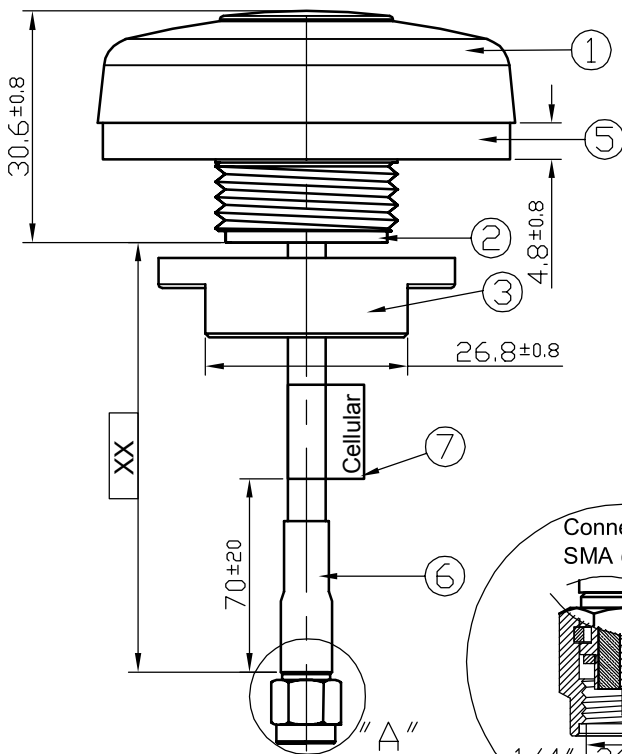
## 9. Drawing

Top View

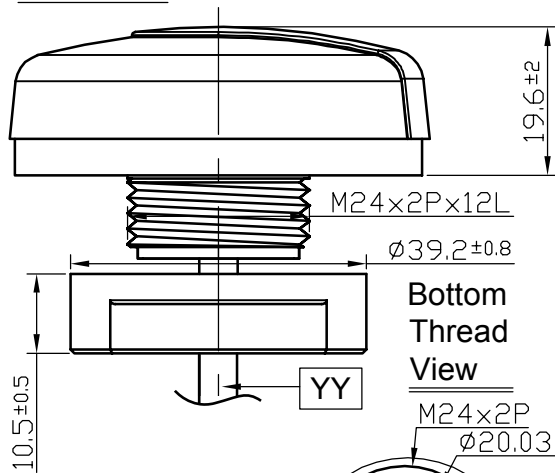


Name	Material	Finish	Qty	
1	G24 Housing Top	PC	White	1
2	G24 Housing Bottom	PC	White	1
3	G24 M24 Nut	ABS	White	1
4	G24 Silicon Rubber	Silicon Rubber	White	1
5	G24 Foam	CR4305 + 3M9445	White	1
6	Heat Shrink Tube	PE	Black	1
7	Cellular Label (48*30)	Coated Paper	Blue	1
Name	Spec	Finish	Qty	
XX	Cable Length	3000 ± 30mm	1	
YY	Cable Type	NFC 200	Black	1
ZZ	Connector Type	SMA (M)	Gold	1

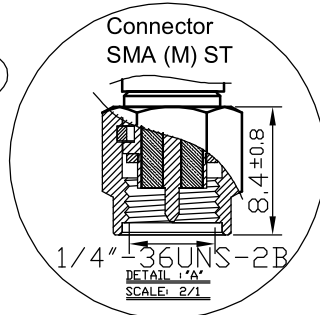
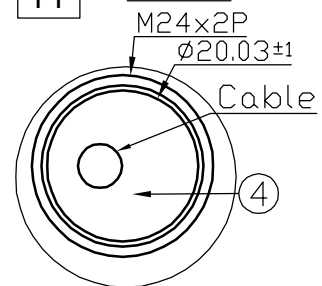
Front View



Side View

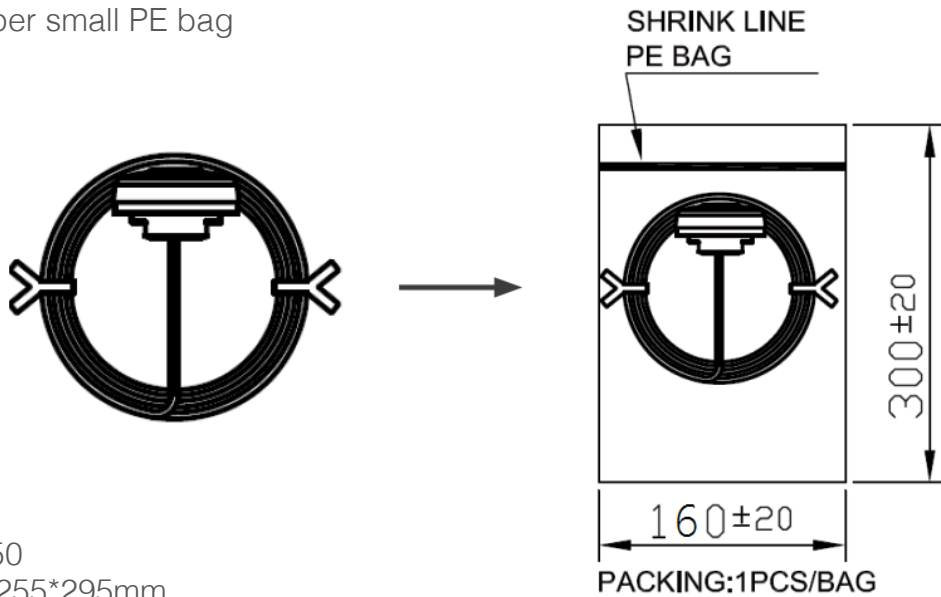


Bottom Thread View

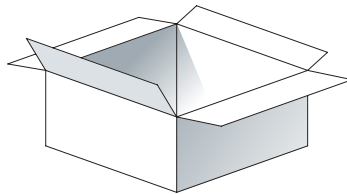


## 10. Packaging

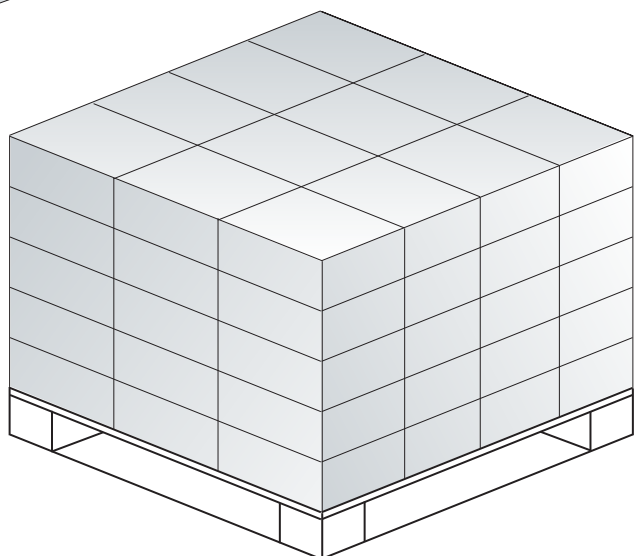
1 piece G24 per small PE bag  
Weight 180g



Carton Qty - 50  
Carton - 310\*255\*295mm  
Weight - 2.6Kg



Pallet Dimensions 1100\*1100mm  
60 Cartons per Pallet  
3000 Pieces



Taoglas makes no warranties based on the accuracy or completeness of the contents of this document and reserves the right to make changes to specifications and product descriptions at any time without

notice. Taoglas reserves all rights to this document and the information contained herein.

Reproduction, use or disclosure to third parties without express permission is strictly prohibited.

Copyright © Taoglas Ltd.