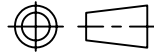
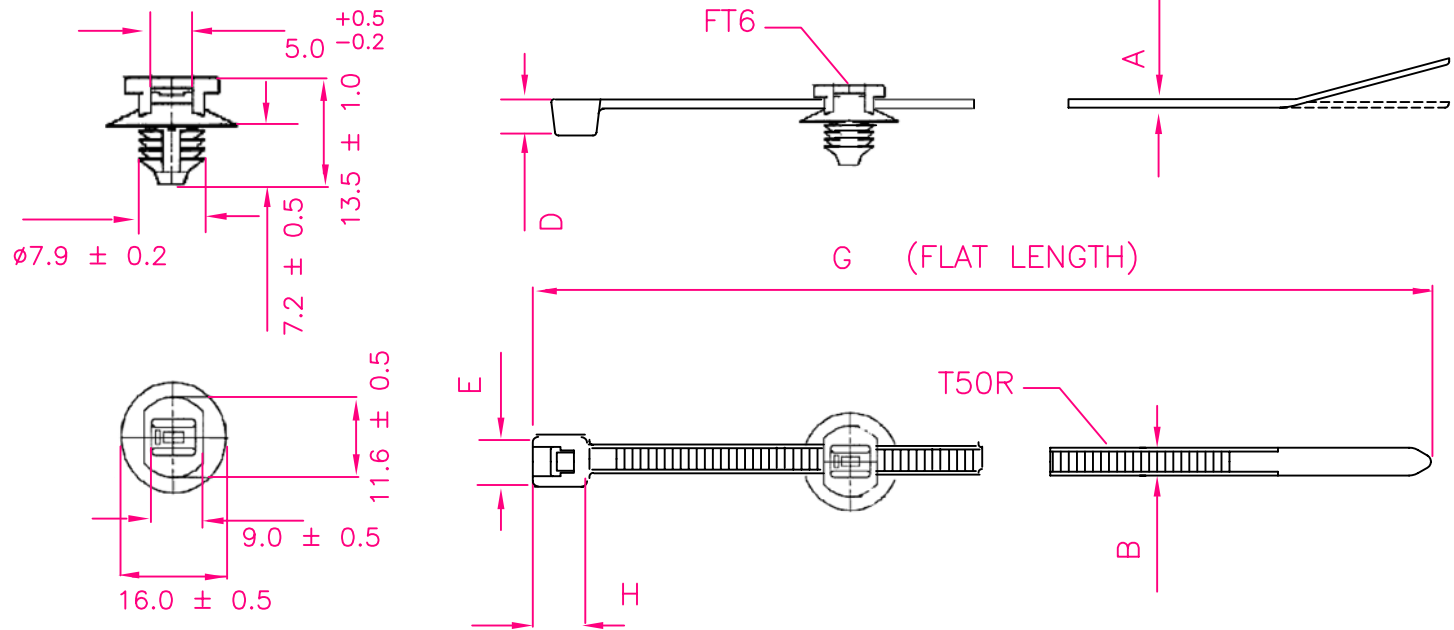


ACAD



Revision level		Revision Record	Changed	Date	Approved	Date
Part	Drawing					
	01	Bundle (mm) was 1.5 to 110	Mandy Ong	25/04/08	Edward Tan	25/04/08
	02	Product dimensions update (Group Standard – July'08)	Mandy Ong	17/12/08	Edward Tan	17/12/08
	03	Remove bundle diameter	Mandy Ong	28/01/09	Edward Tan	28/01/09
	04	Group Standard revision (July'10) – 202.0 ± 11.0 was 202.0 ± 10.0	Mandy Ong	01/07/10	Edward Tan	01/07/10



Hole size (mm)  
6.5 to 7.0

Panel thickness (mm)  
0.75 to 3.0

Tensile strength  
225N

A	B	D	E	G	H
1.2 ± 0.2	4.6 ± 0.2	5.8 ± 0.3	7.8 ± 0.3	202.0 ± 11.0	7.3 ± 0.7

Material P.A. 66

Dimension without tolerances details to:  
DIN 16901

Tolerances

PERFORMANCE SPECIFICATION

The copyright of this drawing is reserved by HELLERMANN TYTON. It is issued on condition that it is not reproduced, copied or disclosed to a third party, either wholly or in part, without the consent of HELLERMANN TYTON.

Drawn MANDY ONG 10/10/07  
Approved. EDWARD TAN 10/10/07

**HellermannTyton**

545, Yishun Industrial Park A  
Yishun Avenue 7  
Singapore 768741  
Tel: (+65) 6852 8585  
Fax: (+65) 6756 6798

Scale: not to scale Reference:

Title

T50RFT6

Drawing-No

SG07030-04

Uncontrolled Document

Format

A4

Sheet 1 of 1

**Product Number**  
**Cross Reference Record**

Uncontrolled Document

<b>Pre-UNS Number System</b>	<b>(New) UNS Universal Number System</b>	<b>Customer Part Number</b>
Product Number  T50RFT6	Product Number  156-00157	Product Number  -
Reference Drawing Number: XCT-HTS031CST(SG07030-04)		

Issued By:	(New) UNS Product Number	Issue Date:
<b>HellermannTyton</b>	<b>Universal Numbering System</b>	July 26, 2011