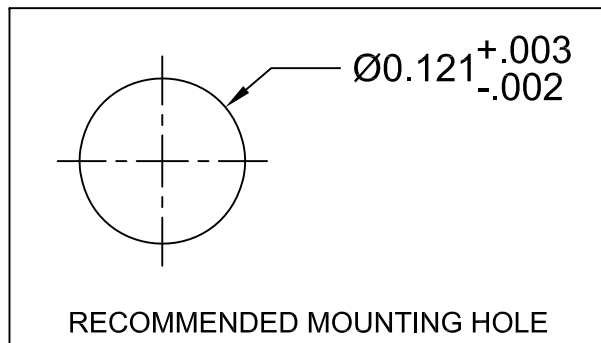
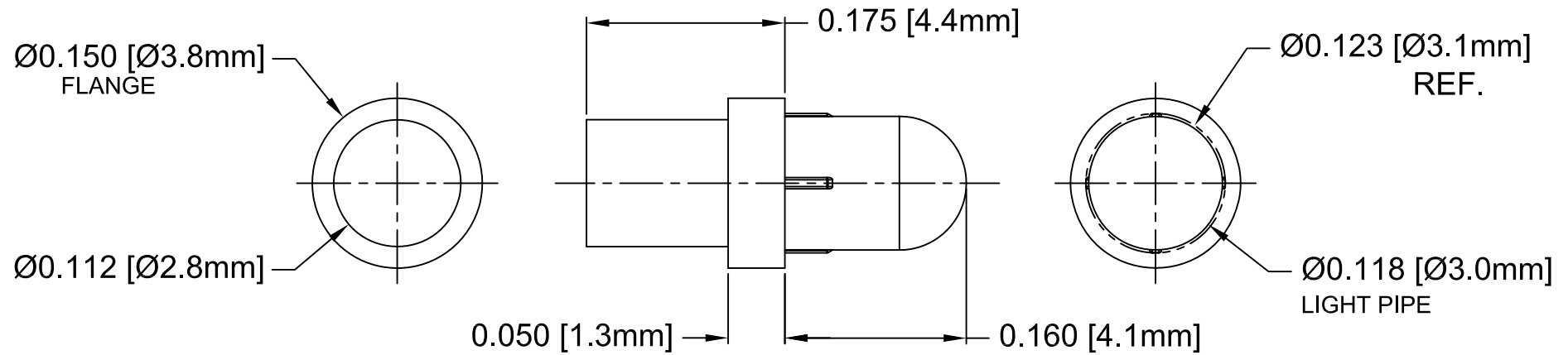

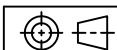


REV.	DESCRIPTION	DATE	APPROVED
A	Production Release	04/11/02	M. C.
B	Added Mounting Hole and Formate Update	08/25/10	T. Y.



- 2. MATERIAL: POLYCARBONATE, 94V-0, CLEAR. BIVAR MATERIAL CODE 47-CR.
- 1. GENERAL SPECIFICATIONS: BIVAR MOLDED COMPONENT SPECIFICATION BV00-E101.

STANDARD TOLERANCE (UNLESS OTHERWISE SPECIFIED)		 BIVAR [®] 4 THOMAS, IRVINE, CA. 92618 TEL: (949) 951-8808 FAX: (949) 951-3974	
DECIMALS	ANGULAR		
.X ± .1	X° ± 1°	 TITLE: PRESS-FIT, PANEL MOUNT, LIGHT PIPE, ROUND TOP	
.XX ± .01			
.XXX ± .005			
DESIGNED: Shane Irving	DATE: 04/11/02	PART NO: PLP1-175	REVISION: B
CHECKED: M. Chen	DATE: 04/11/02	CAGE CODE : 32559	SHEET # 1 OF 1
CAD GENERATED DOCUMENT, DO NOT MEASURE DRAWING.			