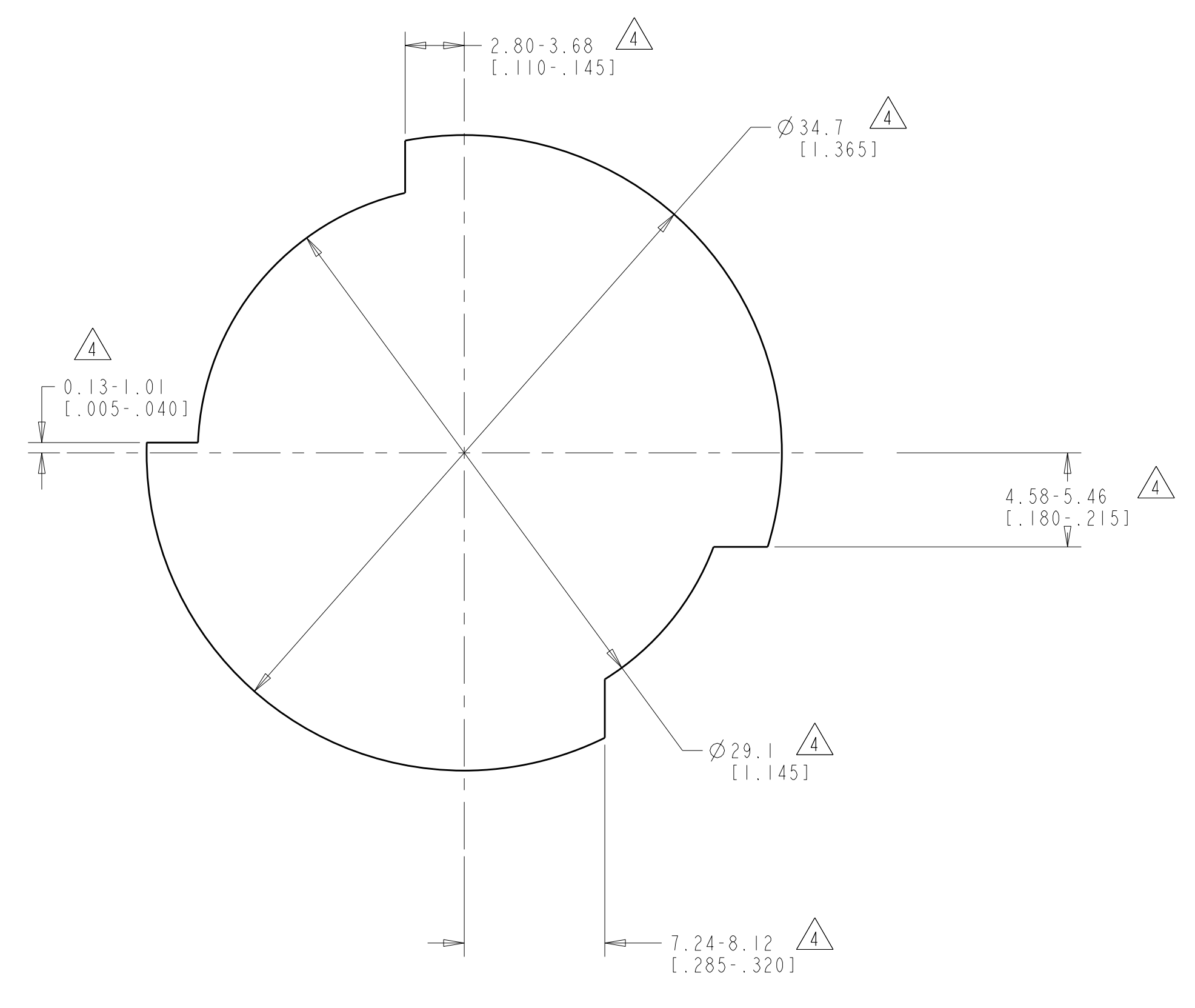
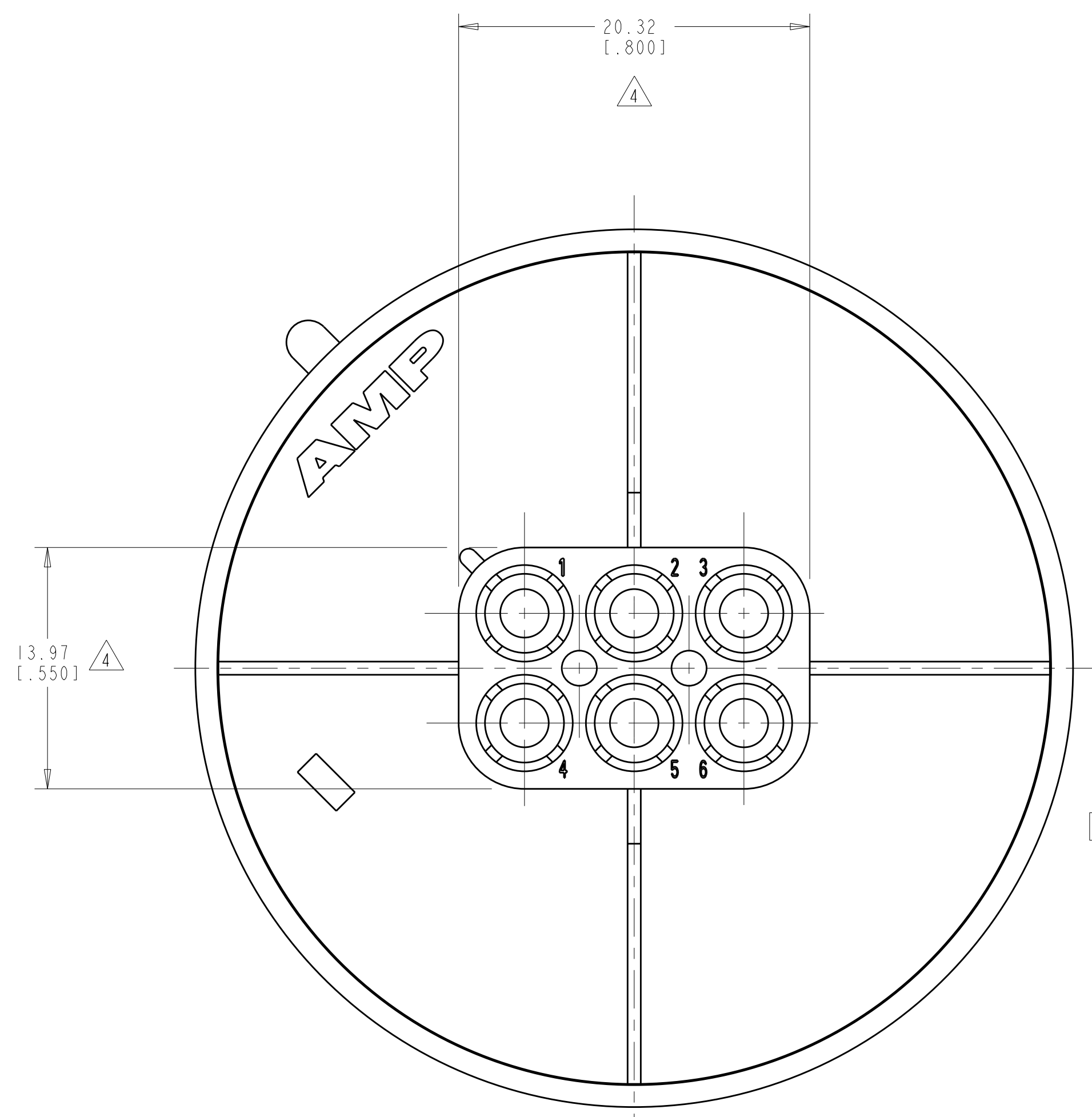
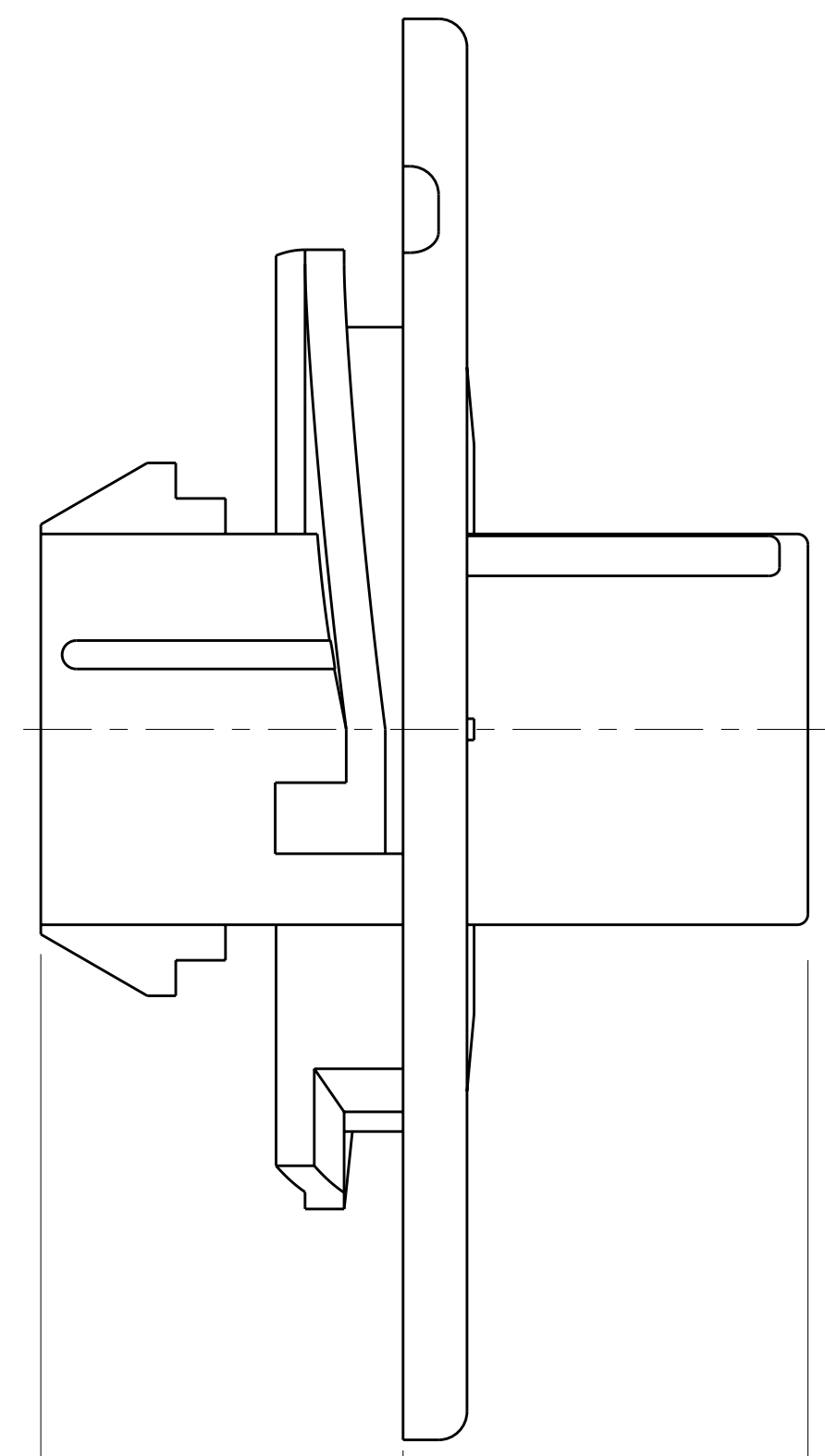
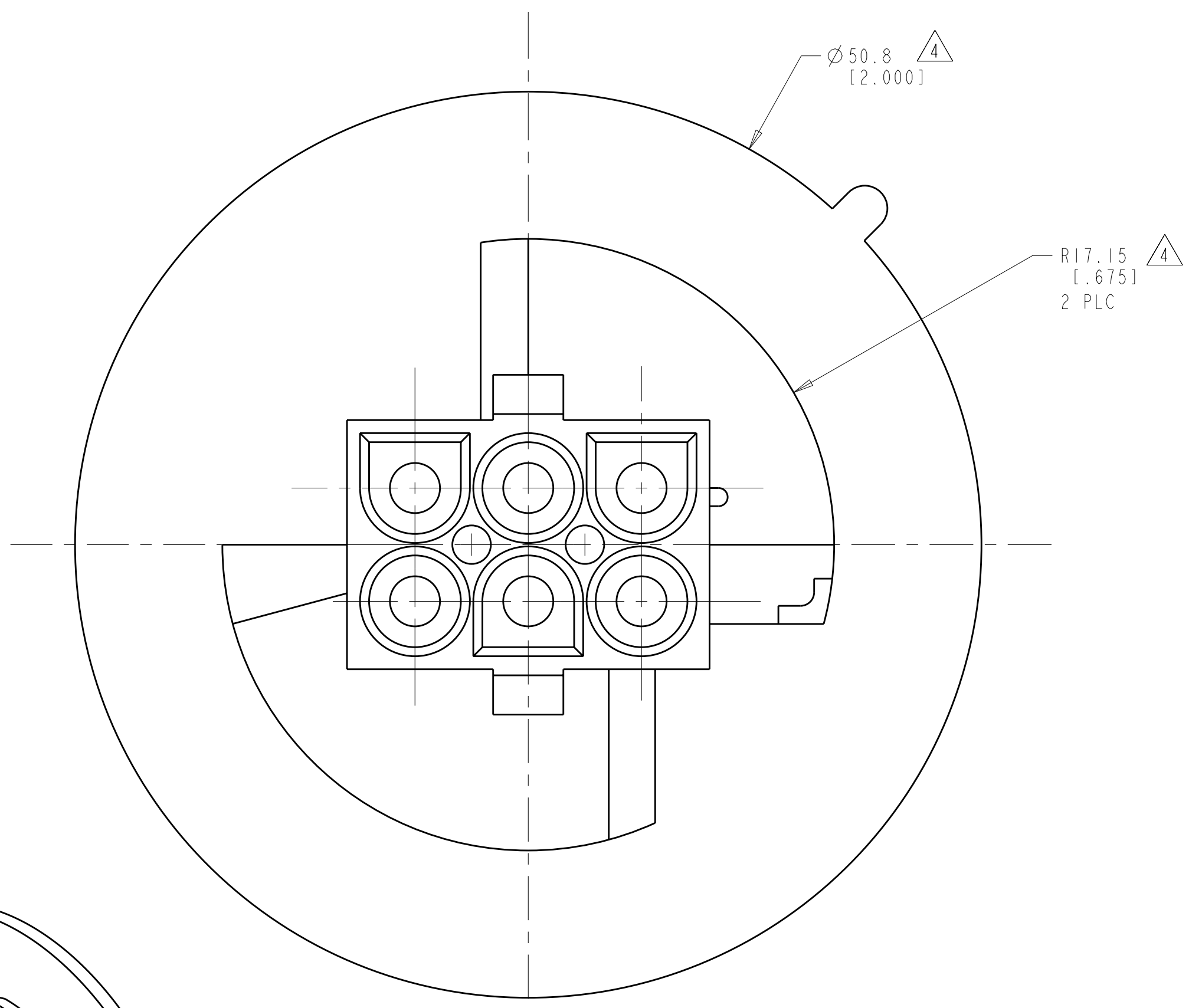
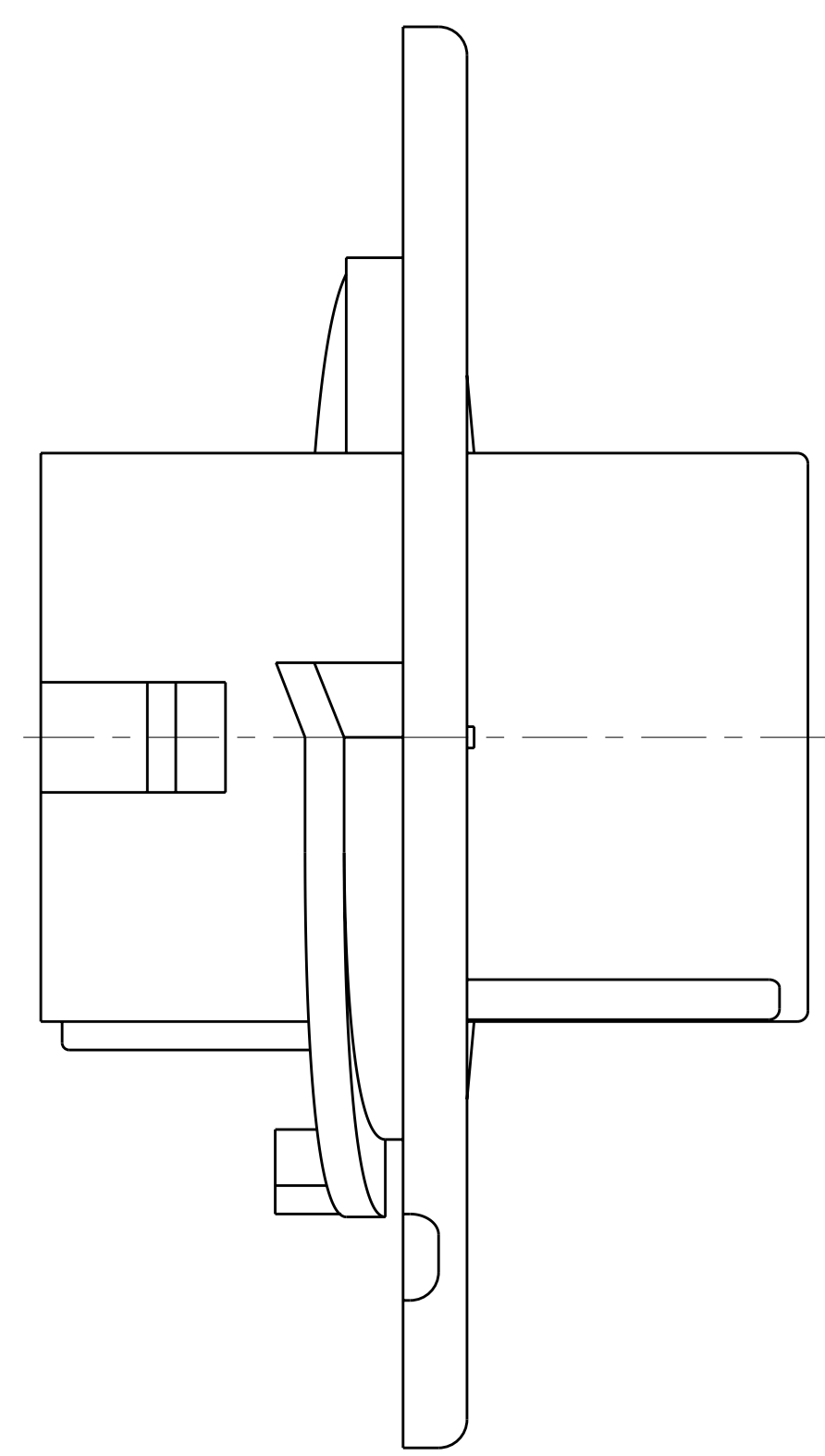


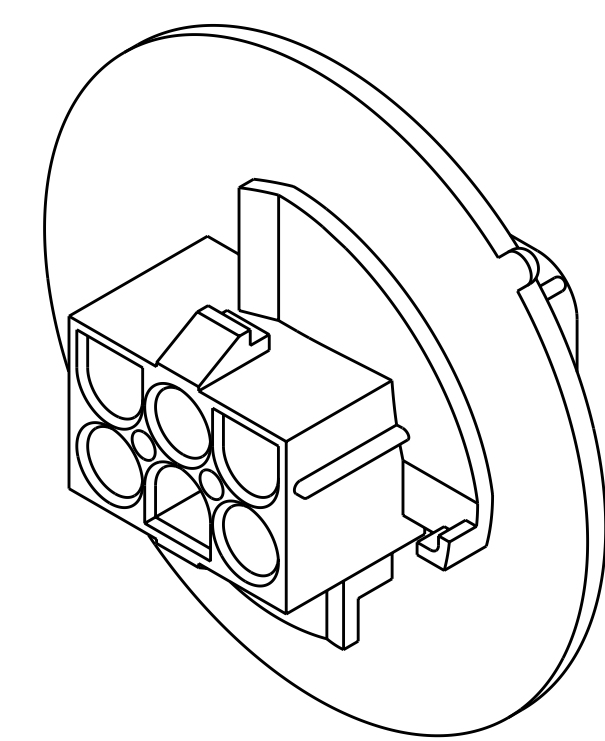
LOC	DIST	REV	DATE	BY	APPD
CM	00	L	REVIS PER ECR-10-022954	03MAR2011	HMR TM



RECOMMENDED CUT OUT



- MATES WITH APPROPRIATE UNIVERSAL MATE-N-LOK™ PLUG.
- RECOMMENDED PANEL THICKNESS 0.76 - 2.29 [.030 - .090].
- PANEL MUST BE PUNCHED SO THAT THE HOUSING ENTERS THE PANEL IN THE SAME DIRECTION AS THE PUNCH.
- DIMENSIONS INDICATED ARE REFERENCE. ADDITIONAL GROWTH DUE TO SUBSEQUENT MOISTURE ABSORPTION MAY OCCUR.
- NOTE DELETED.



3-DIMENSIONAL MODEL
SCALE 2:1

SUPERSEDED BY	COLOR	PART NUMBER
1586887-1	NATURAL	9-794714-0
	BLACK	1-794714-9
	GRAY	1-794714-8
	BLUE	1-794714-6
	GREEN	1-794714-5
	YELLOW	1-794714-4
	ORANGE	1-794714-3
794714-3	RED	1-794714-2
	BROWN	1-794714-1
	RED	794714-3
	NATURAL	794714-1
	COLOR	PART NUMBER

DIMENSIONS: mm [INCHES]		TOLERANCES UNLESS OTHERWISE SPECIFIED: 9 PLC ± 8 PLC ± 5 PLC ±0.13(.005) 4 PLC ± ANGLES ±		DWN BY WHITAKER 06-OCT-1999 CHK M. TRULL 06-OCT-1999 APVD M. TRULL 06-OCT-1999		Tyco Electronics AMP Incorporated Harrisburg, PA 17105-3608	
MATERIAL: NYLON UL 94V-2, NATURAL		FINISH:		NAME: CAP. 6 CIRCUIT, UNIVERSAL MATE-N-LOK(TM), SPECIAL		SIZE: CAGE CODE: DRAWING NO: A1100779 C=794714	
CUSTOMER DRAWING				WEIGHT:		SCALE: 4:1 SHEET 1 OF 1 REV L	

