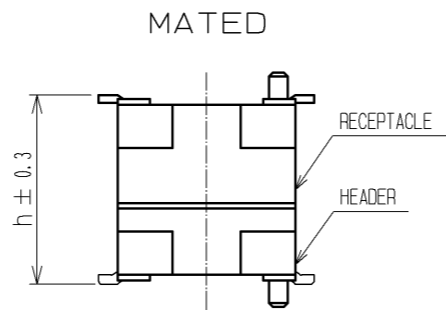
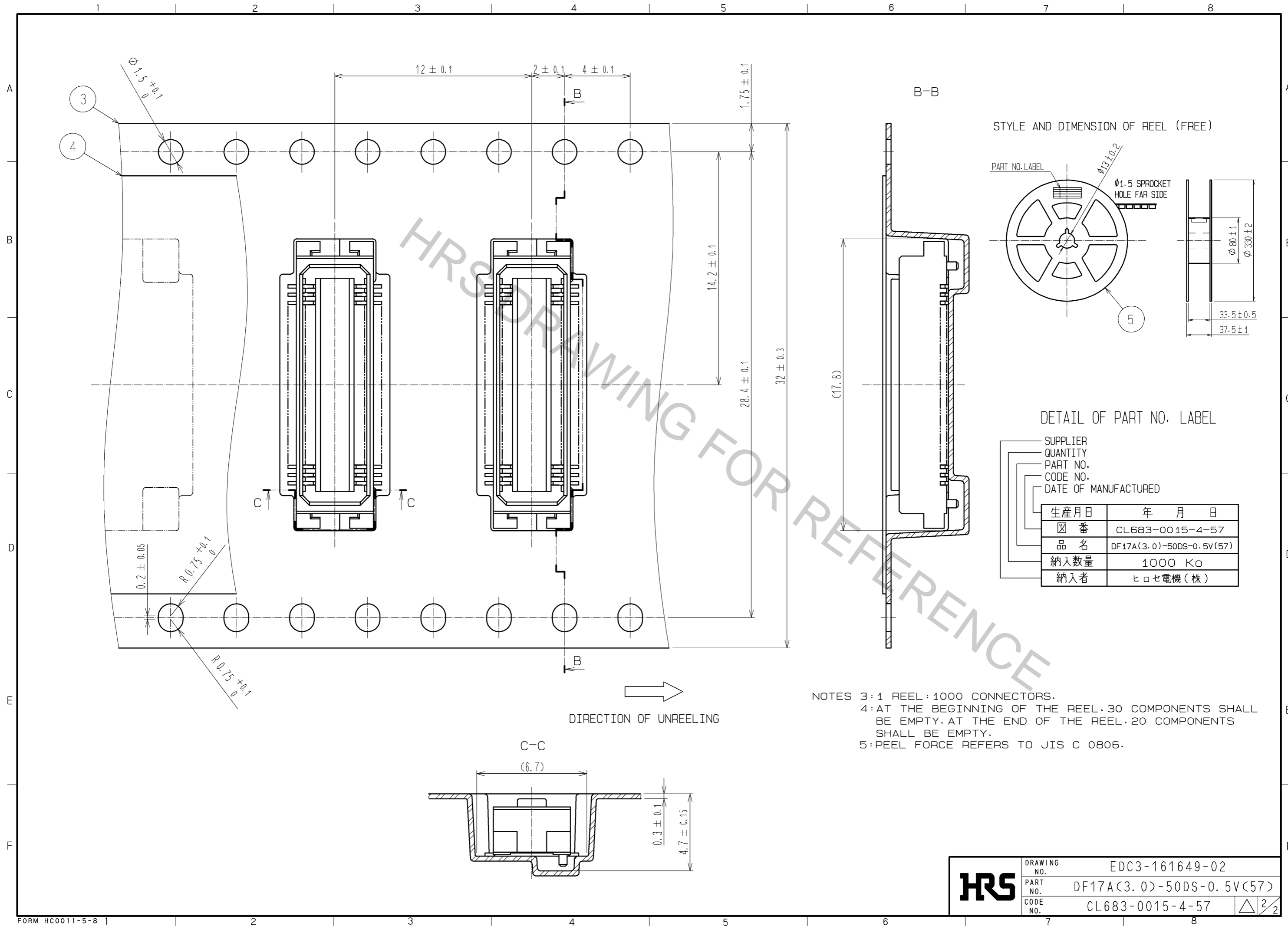


NOTES 1: LEAD CO-PLANARITY INCLUDE REINFORCED METAL FITTINGS SHALL BE 0.1mm MAX.  
 2: WHEN A PART MARKED WITH [cross-hatch] HAS A PATTERN BUT NO RESIST ON IT. TAKE CARE TO PREVENT THE CONNECTOR FROM TOUCHING IT.

MATED HEIGHT (h)		(mm)
HEADER NO.	RECEPTACLE NO.	
DF17#(2.0)-50DP-0.5V(57)	DF17A(3.0)-50DS-0.5V(57)	5
DF17#(4.0)-50DP-0.5V(57)		7



NO.	MATERIAL	FINISH	REMARKS	NO.	MATERIAL	FINISH	REMARKS	
2	POLYAMIDE (PA6T)	WHITE BEIGE	UL94V-0	5	PS		BLACK (PLASTIC REEL)	
1	PHOSPHOR BRONZE	CONTACT AREA: GOLD PLATED 0.1µm min	LEAD AREA: GOLD PLATED 0.02µm min	4	POLYESTER		CLEAR (COVER TAPE)	
				3	A-PET		CLEAR (EMBOSSED CARRIER TAPE)	
UNITS: mm		SCALE: 5:1	COUNT: △	DESCRIPTION OF REVISIONS		DESIGNED	CHECKED	DATE
APPROVED: KH. IKEDA		08.11.20		DRAWING NO.		EDC3-161649-02		
CHECKED: TS. MIYAZAKI		08.11.20		PART NO.		DF17A(3.0)-50DS-0.5V(57)		
DESIGNED: TY. YAMASAKI		08.11.19		CODE NO.		CL683-0015-4-57		
DRAWN: TY. YAMASAKI		08.11.19				△ 1/2		



<b>HRS</b>	DRAWING NO.	EDC3-161649-02
	PART NO.	DF17A(3.0)-50DS-0.5V(57)
	CODE NO.	CL683-0015-4-57
		$\triangle$ 2/2