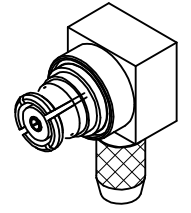
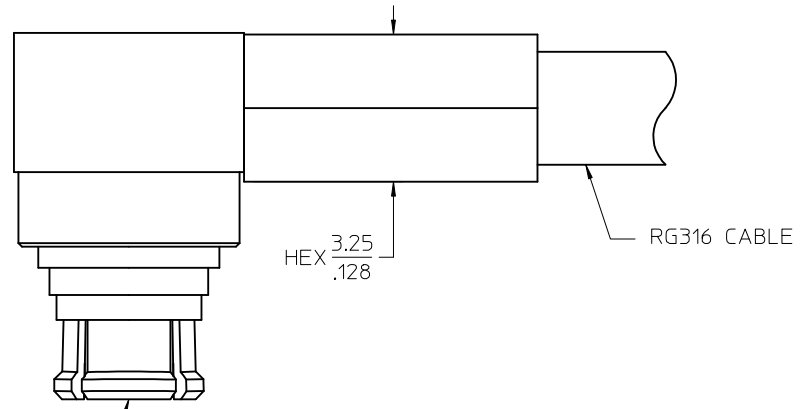
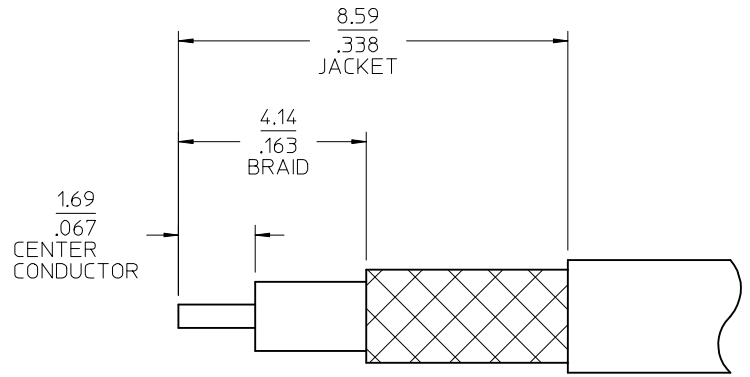


MATERIALS AND FINISHES

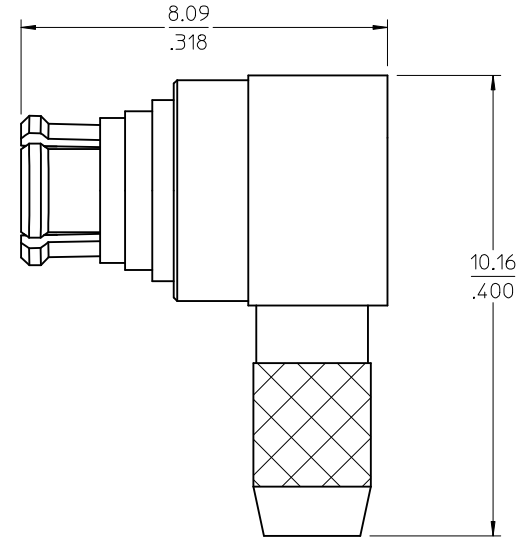
- BODY, CRIMP TUBE BRASS
PLATED GOLD
- OUTER CONTACT BERYLLIUM COPPER
PLATED GOLD
- CENTER CONTACT BERYLLIUM COPPER
PLATED GOLD
- INSULATOR TEFLON
- CRIMP USING .128 HEX DIE



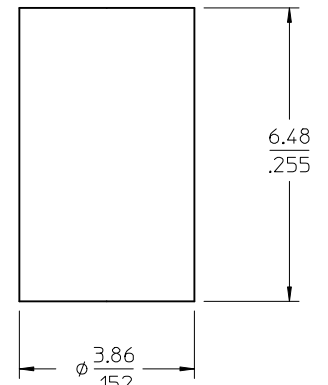
SMP JACK
INTERFACE



RECOMMENDED STRIP DIMENSIONS



CAP



CRIMP TUBE

73415-5034	73415-5033 W/GOLD FLASH BODY / STANDARD TRAY
73415-5033	GOLD 8u" MIN. / STANDARD TRAY (80 CAV.)
73415-5032	73415-5030 / SMALL TRAY (20 CAV.)
73415-5031	73415-5030 / ONE PER BAG
73415-5030	GOLD 10u" MIN. / STANDARD TRAY (80 CAV.)
PART NO.	DESCRIPTION

MIL-STD-348A, FIG. 326.1	INTERFACE
SPECIFICATION	DESCRIPTION

CHG: UPDATE PACKAGING PER RF15-E204
 EC NO: URF2015-0639
 DRWR:YEH 2015/05/15
 CHKD:
 APPR:YCHENG 2015/05/25
 DESCRIPTION
 REV: B6

QUALITY SYMBOLS

GENERAL TOLERANCES (UNLESS SPECIFIED)

	mm	INCH
4 PLACES	± .005	± .0004
3 PLACES	± .005	± .0004
2 PLACES	± .005	± .0004
1 PLACE	± .005	± .0004
0 PLACE	± .005	± .0004

ANGULAR ± 2 °

DRAFT WHERE APPLICABLE MUST REMAIN WITHIN DIMENSIONS

DIMENSION STYLE MM/IN

SCALE 12:1

DESIGN UNITS METRIC

THIRD ANGLE PROJECTION

DRAWN BY TEF DATE

CHECKED BY SSS DATE 2004/06/10

APPROVED BY GMH DATE 2004/06/10

MATERIAL NO.

DOCUMENT NO.

SIZE C

THIS DRAWING CONTAINS INFORMATION THAT IS PROPRIETARY TO MOLEX INCORPORATED AND SHOULD NOT BE USED WITHOUT WRITTEN PERMISSION

SMP JACK R/A FOR
 RG316 50 OHMS EWR-2492
 SMP-JC/RA
molex
 SD-73415-503
 SHEET NO. 1 OF 1