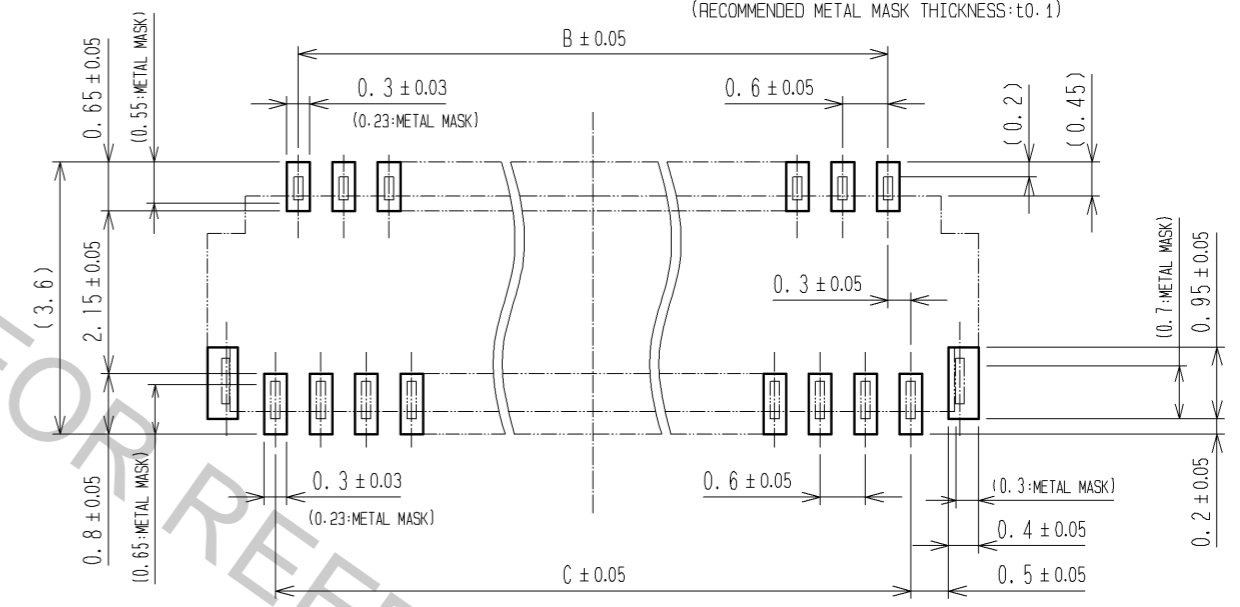


RECOMMENDED LAND PATTERN (SCALE: FREE)
 (RECOMMENDED METAL MASK THICKNESS: $t: 0.1$)

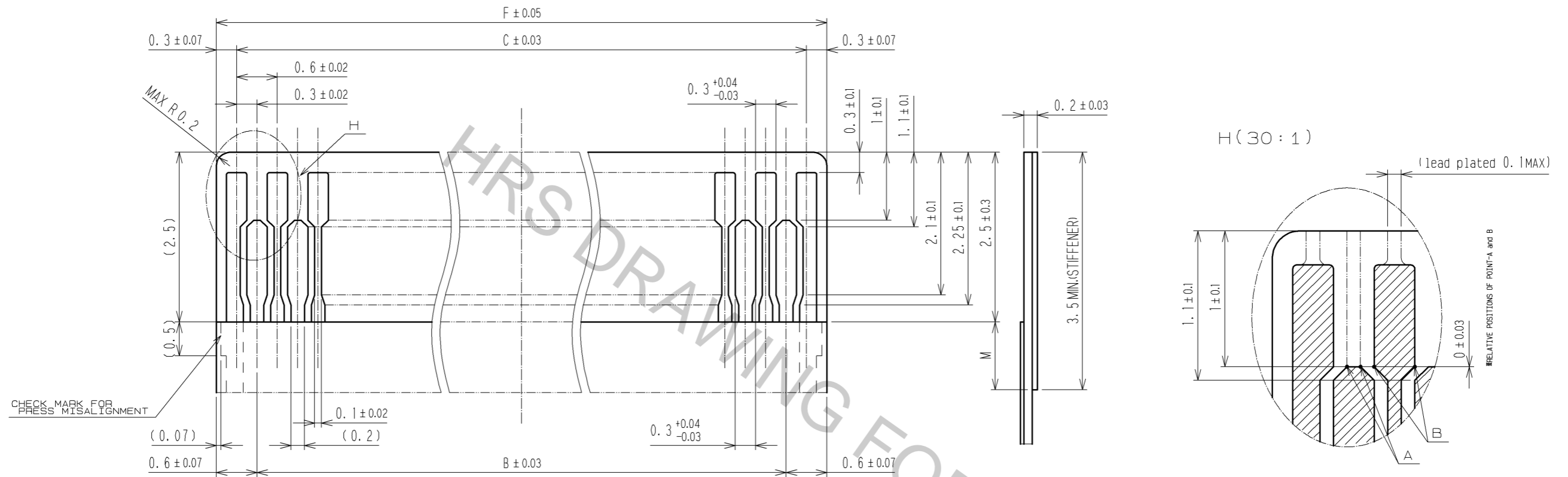


NOTE 1 LEAD CO-PLANARITY INCLUDING REINFORCED METAL FITTINGS SHALL BE 0.1 MAX.
 2. TO BE DELIVERED WITH TAPE AND REEL PACKAGES.
 SEE ATTACHED PACKAGING SPECIFICATIONS FOR DETAILS.
 3. NOTE THAT PREVENTIVE HOLE FOR SINK MARK COULD BE ADDED FOR IMPROVEMENT.
 THE QUALITY REMAINS GOOD, EVEN WITH THE DARK SPOTS, WHICH COULD OCCASIONALLY OCCUR ON MOLDED PLASTIC.

| 4 | PHOSPHOR BRONZE | (CONTACT AREA- LEAD) GOLD PLATING 0.05 μ m MIN OVER NICKEL 1 μ m MIN (OTHER) NICKEL PLATING 1 μ m MIN | 10 (CONNECTOR) | | | | |
|--------------------------------------|-----------------|---|-------------------------------------|--|------------------|----------------|----------|
| 3 | PHOSPHOR BRONZE | (CONTACT AREA- LEAD) GOLD PLATING 0.05 μ m MIN OVER NICKEL 1 μ m MIN (OTHER) NICKEL PLATING 1 μ m MIN | 9 POLYSTYRENE | | | | |
| 2 | PA | DEEP BROWN UL94V-0 | 8 POLYESTER | | | | |
| 1 | LCP | BLACK UL94V-0 | 7 POLYSTYRENE | | | | |
| | | | 6 PHOSPHOR BRONZE (PLATED MATERIAL) | TIN PLATING (REFLOW FINISHED) 1 μ m MIN OVER COPPER 0.5 μ m MIN | | | |
| | | | 5 PHOSPHOR BRONZE (PLATED MATERIAL) | TIN PLATING (REFLOW FINISHED) 1 μ m MIN OVER COPPER 0.5 μ m MIN | | | |
| NO. | MATERIAL | FINISH . REMARKS | NO. | MATERIAL | FINISH . REMARKS | | |
| UNITS | | SCALE | COUNT | DESCRIPTION OF REVISIONS | DESIGNED | CHECKED | DATE |
| mm | | 7 : 1 | 27 | DIS-F-006028 | TY. MOGI | NM. NISHIMATSU | 12.02.16 |
| HRS HIROSE ELECTRIC CO., LTD. | | APPROVED : MO. ISHIDA 05.01.05 | DRAWING NO. EDC3-154381-04 | | | | |
| | | CHECKED : YN. TAKASHITA 05.01.05 | PART NO. FH26-**-S-0.3SHW(10) | | | | |
| | | DESIGNED : SJ. OKAMURA 05.01.05 | CODE NO. CL580 | | | | |
| | | DRAWN : SJ. OKAMURA 05.01.05 | | | | | |

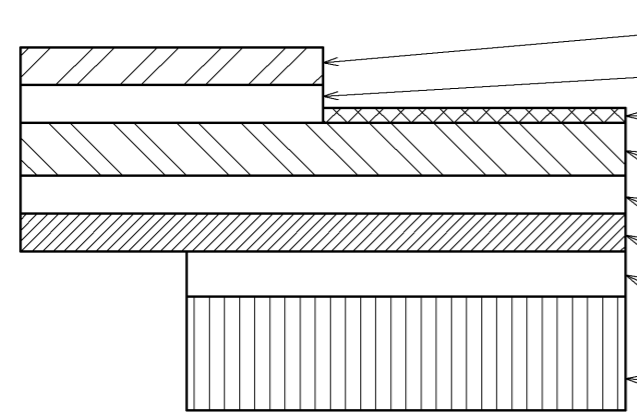
Apr.1.2017 Copyright 2017 HIROSE ELECTRIC CO., LTD. All Rights Reserved.

RECOMMENDED FPC(FREE) (SCALE:FREE)



⚠ DIMENSION M MUST BE 0.5mm MIN WHEN THE STIFFENER IS SHORTER THAN 3.5mm

FPC CONSTRUCTION Recommended Specifications

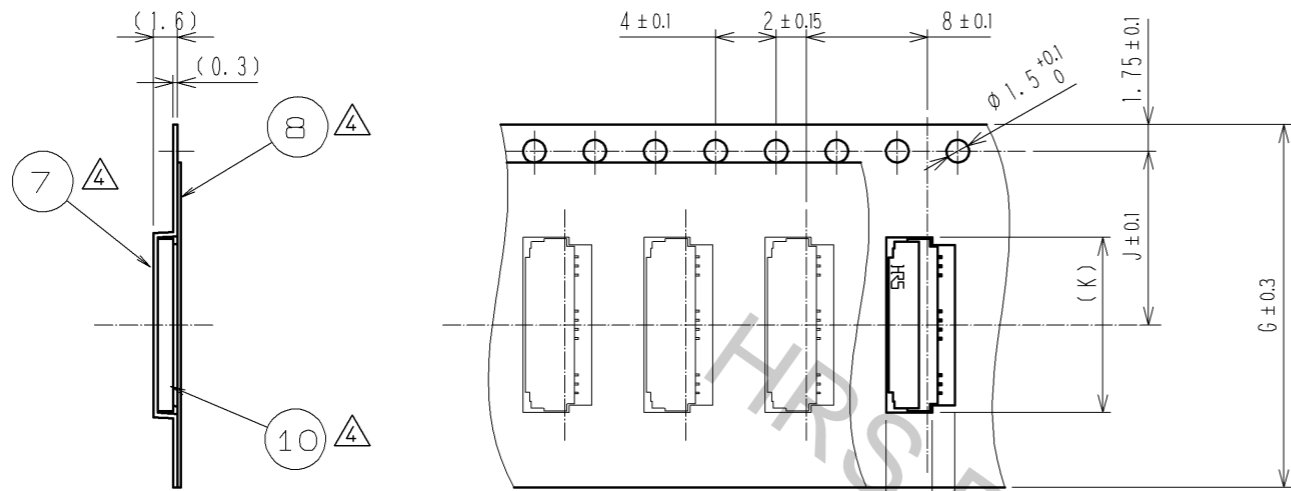


| MATERIAL NAME | MATERIAL | THICKNESS(μm) |
|---------------------------------|--|---------------|
| COVERING FILM LAYER. | POLYIMIDE 1mil thick. | 25 |
| COVER ADHESIVE | | 25 |
| SURFACE TREATMENT | 1μm TO 5μm NICKEL UNDER PLATED 0.2μm GOLD PLATED. | (3) |
| COPPER FOIL | Cu 1 oz | 35 |
| BASE ADHESIVE | HEAT-HARDENED ADHESIVE | 25 |
| BASE FILM | POLYIMIDE 1mil thick | 25 |
| REINFORCEMENT MATERIAL ADHESIVE | HEAT-HARDENED ADHESIVE | 40 |
| STIFFENER | POLYIMIDE 3mil thick | 75 |

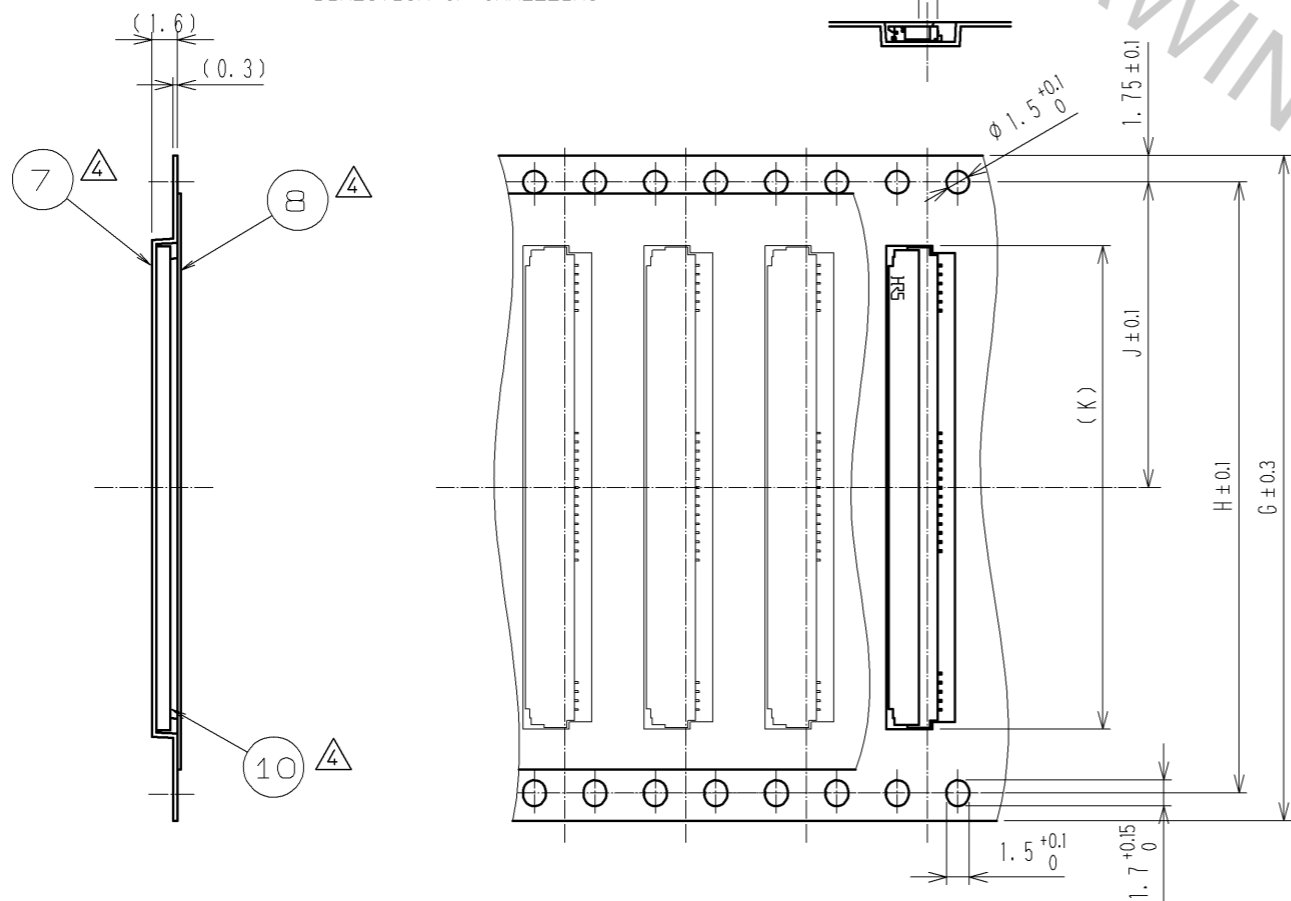
| | | |
|------------|-------------|---------------------|
| HRS | DRAWING NO. | EDC3-154381-04 |
| | PART NO. | FH26-**S-0.3SHW(10) |
| | CODE NO. | CL0580 |
| | | ⚠ 2/6 |

EMBOSSED CARRIER TAPE DIMENSION (2:1)

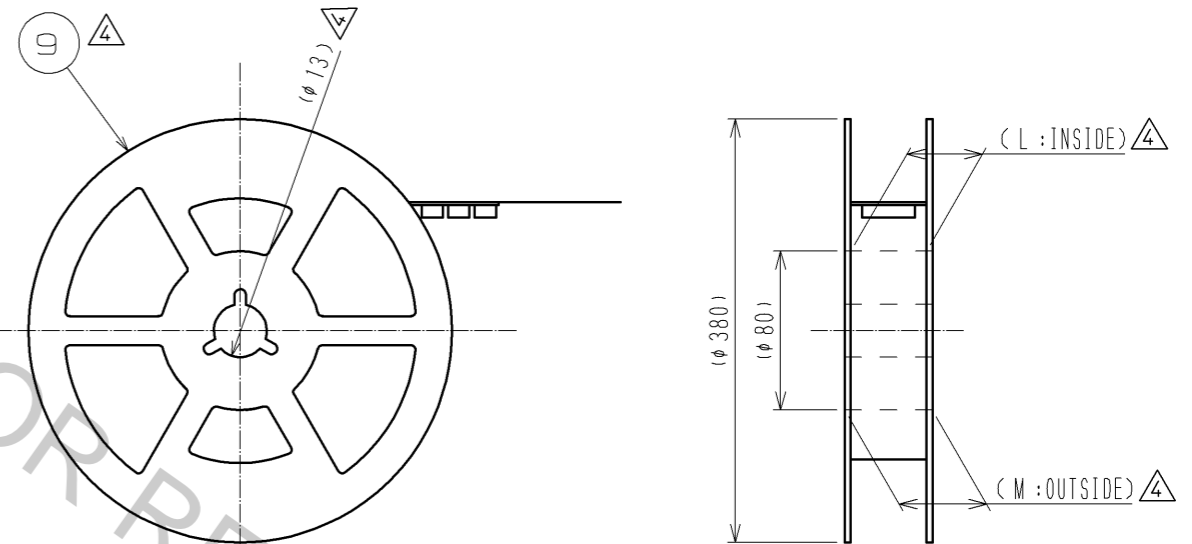
● 24mmMAX.



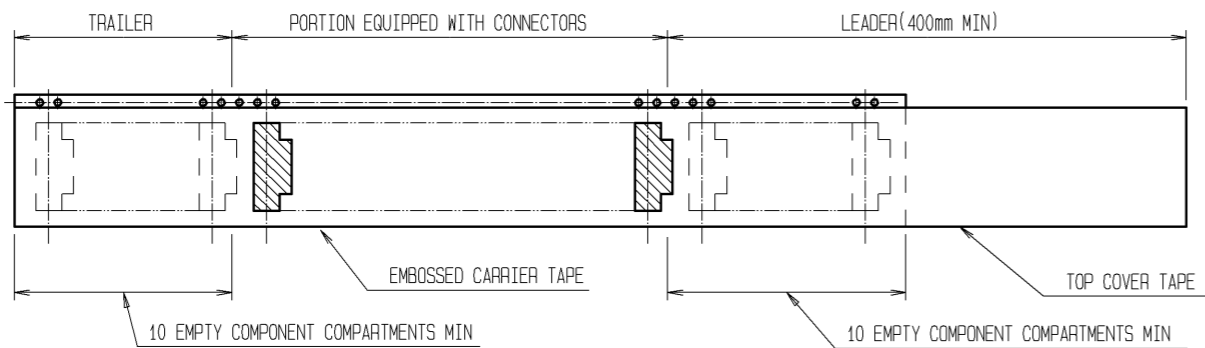
● 32mmMIN.



REEL DIMENSION (FREE)



- NOTE
- △4 THE DIMENSIONS IN PARENTHESES ARE FOR REFERENCE.
 - △5 PER REEL : 5000 CONNECTORS.
 - △6 REFER TO JIS C 0806 (PACKAGING OF COMPONENTS FOR AUTOMATIC HANDLING.)



| | | | |
|------------|-------------|---------------------|-----|
| HRS | DRAWING NO. | EDC3-154381-04 | 3/6 |
| | PART NO. | FH26-**S-0.3SHW(10) | |
| | CODE NO. | CL0580 | |
| | | | |

Apr.1.2017 Copyright 2017 HIROSE ELECTRIC CO., LTD. All Rights Reserved.



| PART NUMBER | CL | NUMBER OF CONTACT | DIMENSION OF CONNECTOR, FPC PATTERN AND METAL MASK | | | | | | DIMENSION OF DRAWING FOR PACKING | | | | | |
|---------------------|-----------------|-------------------|--|------|------|-------|------|------|----------------------------------|------|------|------|------|------|
| | | | A | B | C | D | E | F | G | H | J | K | L | M |
| FH26-13S-0.3SHW(10) | CL580-0209-3-10 | 13 | 5.4 | 3.0 | 3.6 | 4.23 | 4.9 | 4.2 | 16 | - | 7.5 | 5.6 | 17.4 | 21.4 |
| FH26-15S-0.3SHW(10) | CL580-0218-4-10 | 15 | 6.0 | 3.6 | 4.2 | 4.83 | 5.5 | 4.8 | 16 | - | 7.5 | 6.2 | 17.4 | 21.4 |
| FH26-17S-0.3SHW(10) | CL580-0217-1-10 | 17 | 6.6 | 4.2 | 4.8 | 5.43 | 6.1 | 5.4 | 16 | - | 7.5 | 6.8 | 17.4 | 21.4 |
| FH26-21S-0.3SHW(10) | CL580-0207-8-10 | 21 | 7.8 | 5.4 | 6.0 | 6.63 | 7.3 | 6.6 | 16 | - | 7.5 | 8.0 | 17.4 | 21.4 |
| FH26-23S-0.3SHW(10) | CL580-0203-7-10 | 23 | 8.4 | 6.0 | 6.6 | 7.23 | 7.9 | 7.2 | 16 | - | 7.5 | 8.6 | 17.4 | 21.4 |
| FH26-25S-0.3SHW(10) | CL580-0208-0-10 | 25 | 9.0 | 6.6 | 7.2 | 7.83 | 8.5 | 7.8 | 16 | - | 7.5 | 9.2 | 17.4 | 21.4 |
| FH26-27S-0.3SHW(10) | CL580-0204-0-10 | 27 | 9.6 | 7.2 | 7.8 | 8.43 | 9.1 | 8.4 | 16 | - | 7.5 | 9.8 | 17.4 | 21.4 |
| FH26-29S-0.3SHW(10) | CL580-0216-9-10 | 29 | 10.2 | 7.8 | 8.4 | 9.03 | 9.7 | 9.0 | 24 | - | 11.5 | 10.4 | 25.4 | 29.4 |
| FH26-31S-0.3SHW(10) | CL580-0214-3-10 | 31 | 10.8 | 8.4 | 9.0 | 9.63 | 10.3 | 9.6 | 24 | - | 11.5 | 11.0 | 25.4 | 29.4 |
| FH26-33S-0.3SHW(10) | CL580-0210-2-10 | 33 | 11.4 | 9.0 | 9.6 | 10.23 | 10.9 | 10.2 | 24 | - | 11.5 | 11.6 | 25.4 | 29.4 |
| FH26-35S-0.3SHW(10) | CL580-0205-2-10 | 35 | 12.0 | 9.6 | 10.2 | 10.83 | 11.5 | 10.8 | 24 | - | 11.5 | 12.2 | 25.4 | 29.4 |
| FH26-37S-0.3SHW(10) | CL580-0224-7-10 | 37 | 12.6 | 10.2 | 10.8 | 11.43 | 12.1 | 11.4 | 24 | - | 11.5 | 12.8 | 25.4 | 29.4 |
| FH26-39S-0.3SHW(10) | CL580-0201-1-10 | 39 | 13.2 | 10.8 | 11.4 | 12.03 | 12.7 | 12.0 | 24 | - | 11.5 | 13.4 | 25.4 | 29.4 |
| FH26-41S-0.3SHW(10) | CL580-0206-5-10 | 41 | 13.8 | 11.4 | 12.0 | 12.63 | 13.3 | 12.6 | 24 | - | 11.5 | 14.0 | 25.4 | 29.4 |
| FH26-45S-0.3SHW(10) | CL580-0211-5-10 | 45 | 15.0 | 12.6 | 13.2 | 13.83 | 14.5 | 13.8 | 24 | - | 11.5 | 15.2 | 25.4 | 29.4 |
| FH26-51S-0.3SHW(10) | CL580-0200-9-10 | 51 | 16.8 | 14.4 | 15.0 | 15.63 | 16.3 | 15.6 | 24 | - | 11.5 | 17.0 | 25.4 | 29.4 |
| FH26-55S-0.3SHW(10) | CL580-0221-9-10 | 55 | 18.0 | 15.6 | 16.2 | 16.83 | 17.5 | 16.8 | 32 | 28.4 | 14.2 | 18.2 | 33.4 | 37.4 |
| FH26-57S-0.3SHW(10) | CL580-0212-8-10 | 57 | 18.6 | 16.2 | 16.8 | 17.43 | 18.1 | 17.4 | 32 | 28.4 | 14.2 | 18.8 | 33.4 | 37.4 |
| FH26-61S-0.3SHW(10) | CL580-0213-0-10 | 61 | 19.8 | 17.4 | 18.0 | 18.63 | 19.3 | 18.6 | 32 | 28.4 | 14.2 | 20.0 | 33.4 | 37.4 |
| FH26-71S-0.3SHW(10) | CL580-0202-4-10 | 71 | 22.8 | 20.4 | 21.0 | 21.63 | 22.3 | 21.6 | 44 | 40.4 | 20.2 | 23.0 | 45.4 | 49.4 |

| | | | |
|------------|-------------|---------------------|--|
| HRS | DRAWING NO. | EDC3-154381-04 | |
| | PART NO. | FH26-**S-0.3SHW(10) | |
| | CODE NO. | CL0580 | |

This connector is small and thin and requires delicate and careful handling.
 Read through the instructions shown below and handle the connector properly.
 Each values indicating here are for reference and may differ from standard value.

[INSTRUCTIONS FOR MOUNTING ON THE BOARD]

◆Warp of Board

Minimize warp of the board as much as possible.
 Lead co-planarity including reinforced metal fittings is 0.1 mm or less.
 Too much warp of the board may result in a soldering failure.

⚠Flexible board design

Please make sure to put a stiffener on the backside of the flexible board.
 We recommend a glass epoxy material with the thickness of 0.3mm MIN.

⚠Load to Connector

Do not add 0.5N or greater external force when unreel or pick and place the connector etc.
 or it may get broken.
 In addition, do not insert the FPC or operate the connector before mounting it.

⚠[INSTRUCTIONS FOR PCB HANDLING AFTER MOUNTING THE CONNECTOR]

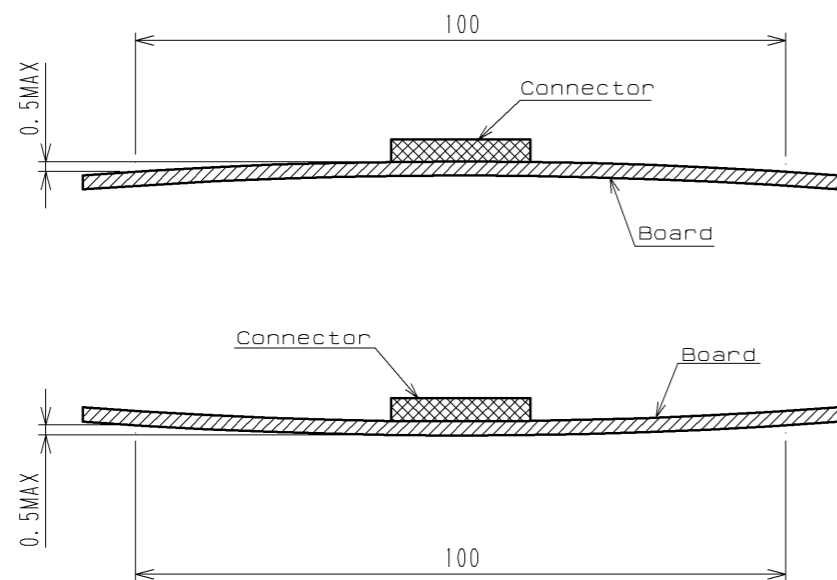
◆Load to Board

- Splitting a large board into several pieces
- Screwing the board

Avoid the handling described above so that no force is exerted on the board during the assembly process.
 Otherwise, the connector may become defective.

◆Amount of Warp

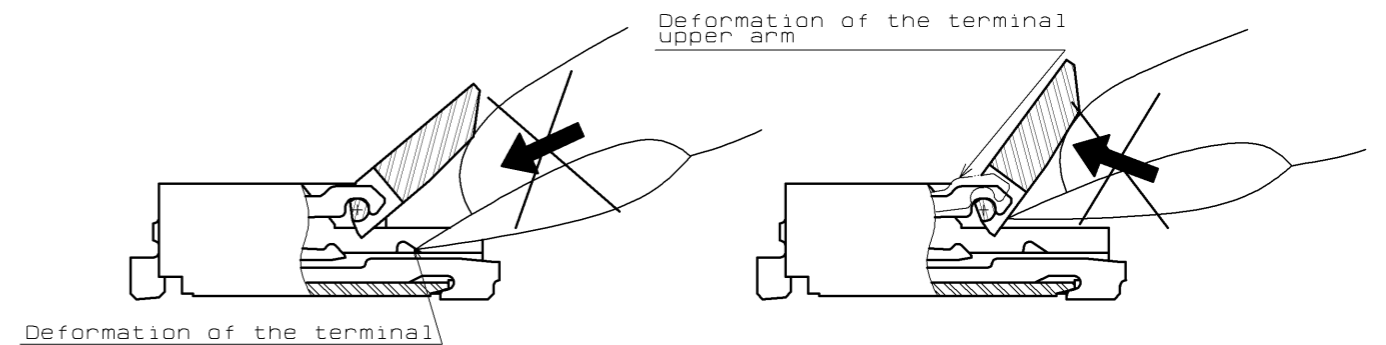
The warp of a 100-mm wide board should be 0.5 mm or less.
 The warp of board suffers stress on connector and the connector may become defective.



[INSTRUCTIONS ON INSERTING FPC AND CONNECTION]

◆ Use of the Lock Lever

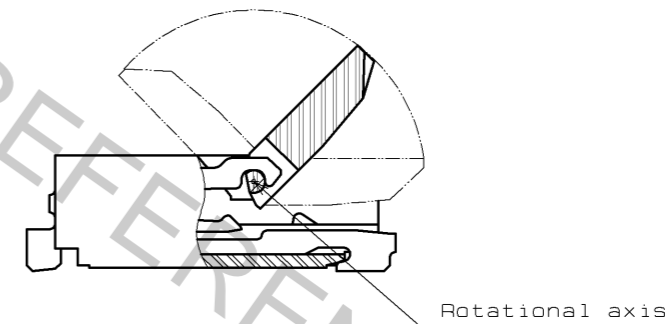
1. Be very careful not to apply excessive force when releasing the lock lever in the initial position (with no FPC inserted).
 If you use your nail or finger as shown below, the terminals may be deformed.



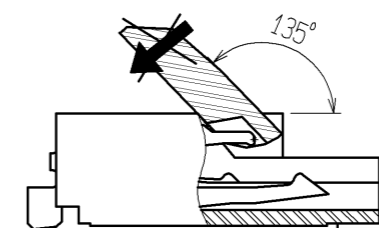
Example 1

Example 2

2. The lock lever rotates around the rotational axis as shown below.
 Rotate the lock lever.

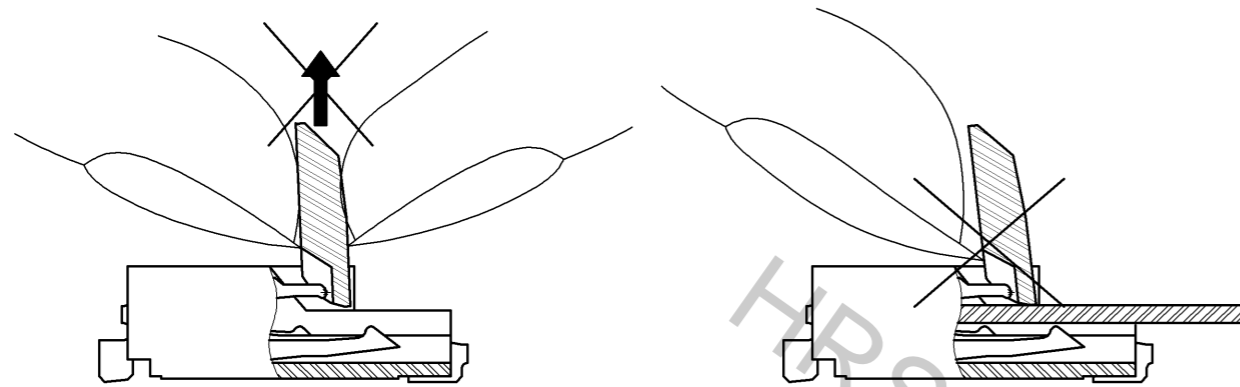


3. The lock lever will not open more than 135°. Do not apply any force backward beyond this point. Otherwise, the lock lever may come off or break.



| | | |
|------------|-------------|---------------------|
| HRS | DRAWING NO. | EDC3-154381-04 |
| | PART NO. | FH26-**S-0.3SHW(10) |
| | CODE NO. | CL0580 |
| | | ⚠ 5/6 |

4. Move the lock lever at approximately the center.
5. Do not pinch or pick the lock lever to lift it as shown below. Otherwise, it may break.
(Do not carry out any operation other than rotating the lever as shown in 2 above.)



◆Direction of Contacts

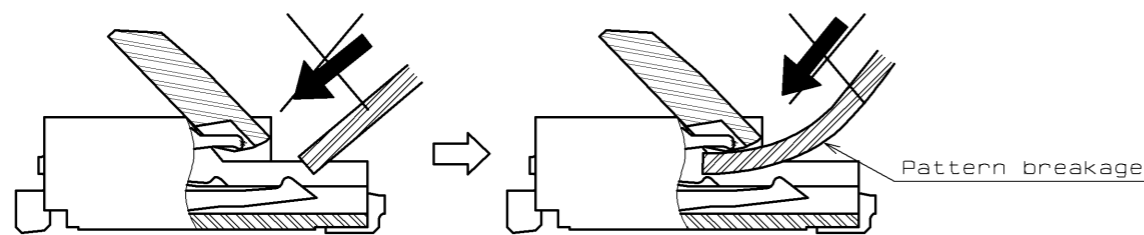
This connector has contacts on the bottom. Thus, insert the FPC with the exposed conductors face down.

◆Inserting the FPC

1. Insert the FPC horizontally along the surface and at a right angle to the connector.
Insert it properly to the very end.
If the FPC is inserted at a slant (incorrectly), the conductors may short-circuit due to pitch shift or the edge of the FPC may catch in the terminals, resulting in deformation of the terminals.
This connector has a ZIF structure, and its effective engagement length is 0.35 mm (when the recommended FPC nominal is used).
Use the lock lever carefully to prevent the FPC from dislocating after inserting it.
2. Do not insert the FPC diagonally from above.
If the FPC is inserted at a slant (incorrectly) as shown below in the FPC insertion process, the FPC may bend and patterns may break or the FPC may not insert completely, resulting in improper conduction.

※Keep a sufficient FPC insertion space in the stage of the layout in order to avoid incorrect FPC insertion.
Besides, it is not difficult to insert FPC correctly all the way to the end.
Design the proper layout of parts.

※Make adjustments with the FPC manufacturer for FPC bending performance and wire breakage.



◆Checking the Locking Condition

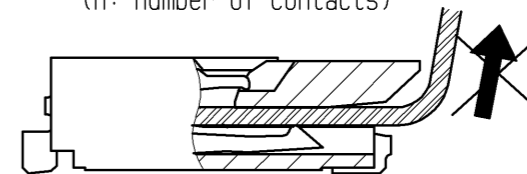
In the locked condition, make sure that the lock lever is horizontal on the board surface.
Do not apply excessive force to it near the 0° position of the lever.
Otherwise, the terminals may be deformed. (Allowable force: 1 N or less)

[INSTRUCTIONS ON FPC LAYOUT AFTER CONNECTION]

◆Load to FPC

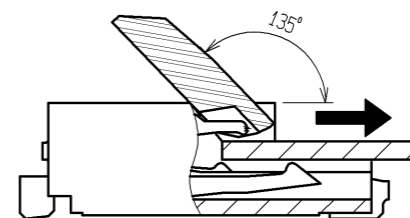
Be very careful not to apply any force to the FPC after inserting it.
Otherwise, the connector may become unlocked or the FPC may break.
Fix the FPC, in particular, when loads are applied to it continuously.
Design the FPC layout with care not to bend it sharply near the insertion opening.

Load: 0.05Xn N MAX
(n: number of contacts)



[INSTRUCTIONS ON REMOVING FPC]

◆Release the lock lever to remove the FPC.



[OTHER INSTRUCTIONS]

◆Instructions on Manual Soldering

- Follow the instructions shown below when soldering the connector manually during repair work, etc.
1. Do not perform reflow soldering or manual soldering with the FPC inserted into the connector.
 2. Do not heat the connector excessively. Be very careful not to let the soldering iron contact any parts other than connector leads. Otherwise, the connector may be deformed or melt.
 3. Do not use excessive solder (or flux).
If excessive solder (or flux) is used on the terminals, solder or flux may adhere to the contacts or rotating parts of the lock lever, resulting in poor contact or a rotation failure of the lock lever.
Supplying excessive solder to the reinforcing bracket may hinder lock lever rotation, resulting in breakage of the connector.

| | | | |
|------------|-------------|---------------------|-----|
| HRS | DRAWING NO. | EDC3-154381-04 | 4/6 |
| | PART NO. | FH26-**S-0.3SHW(10) | |
| | CODE NO. | CL0580 | |
| | | | |