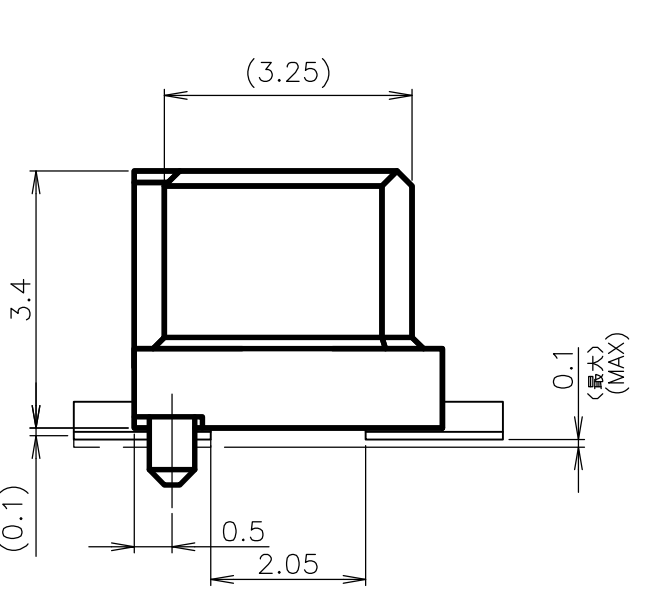
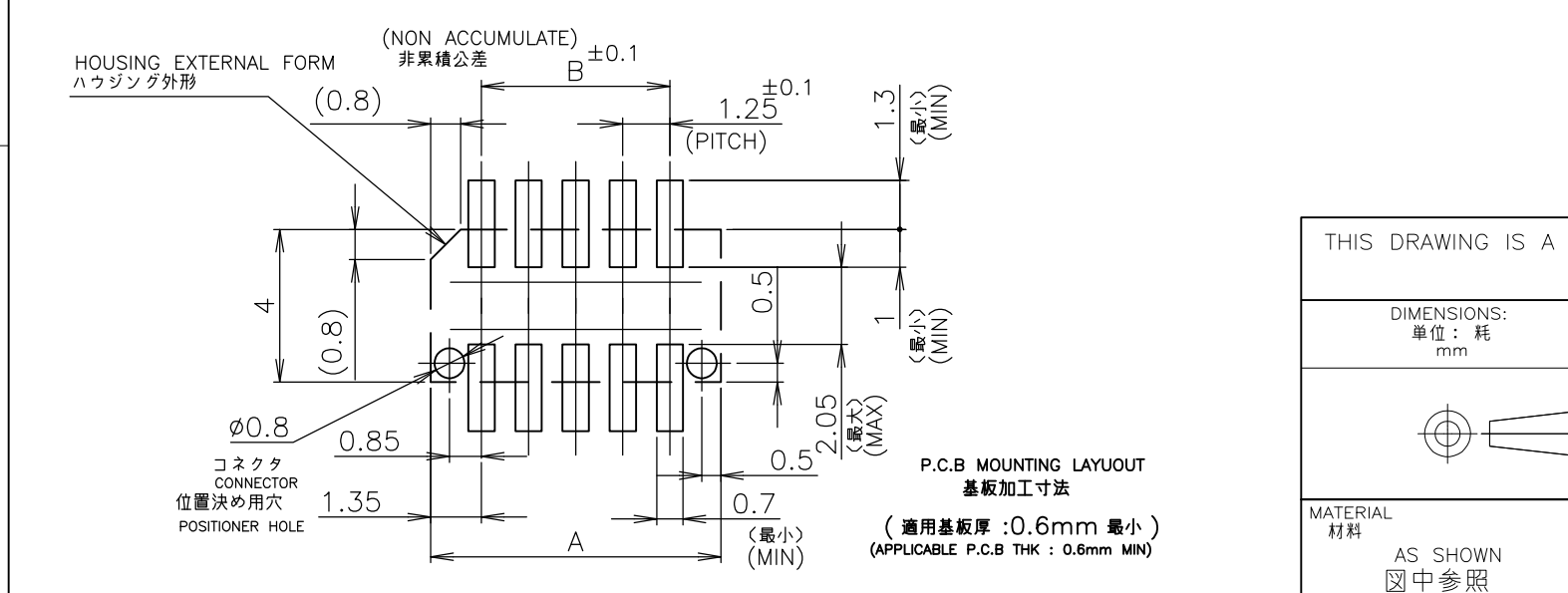
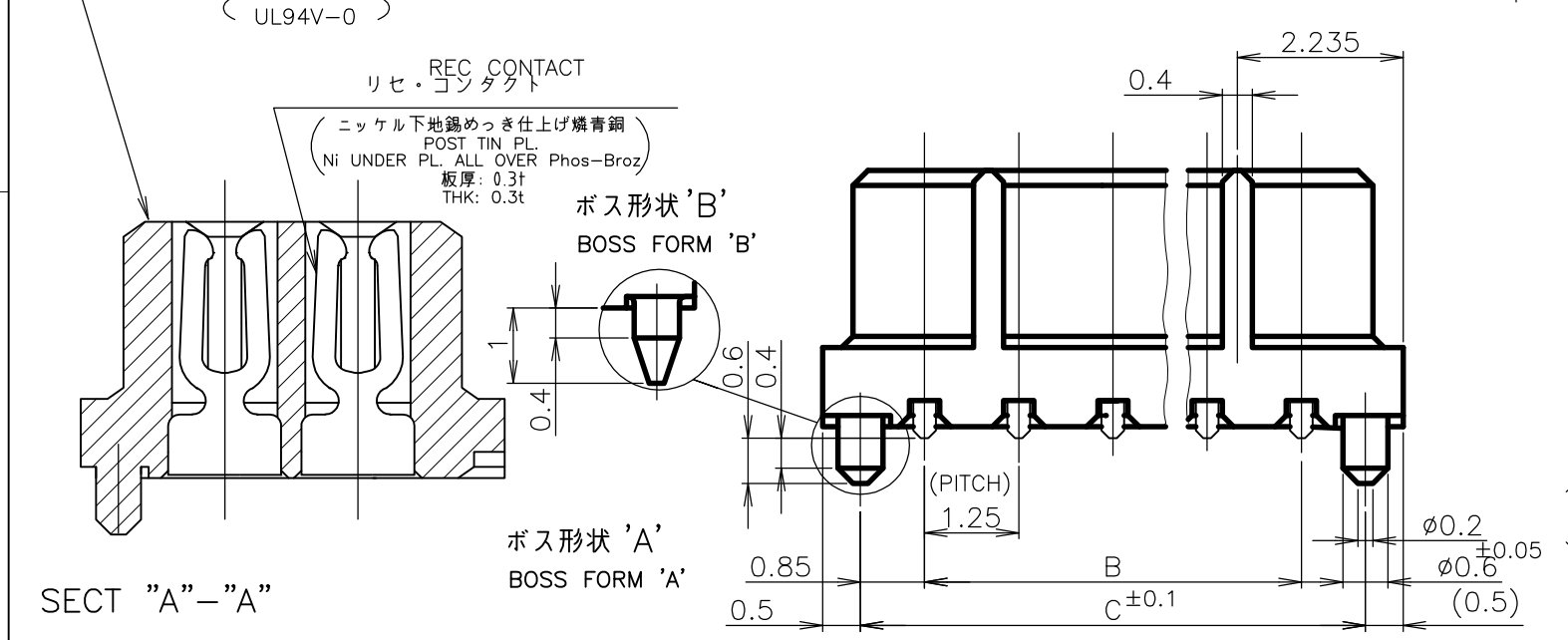
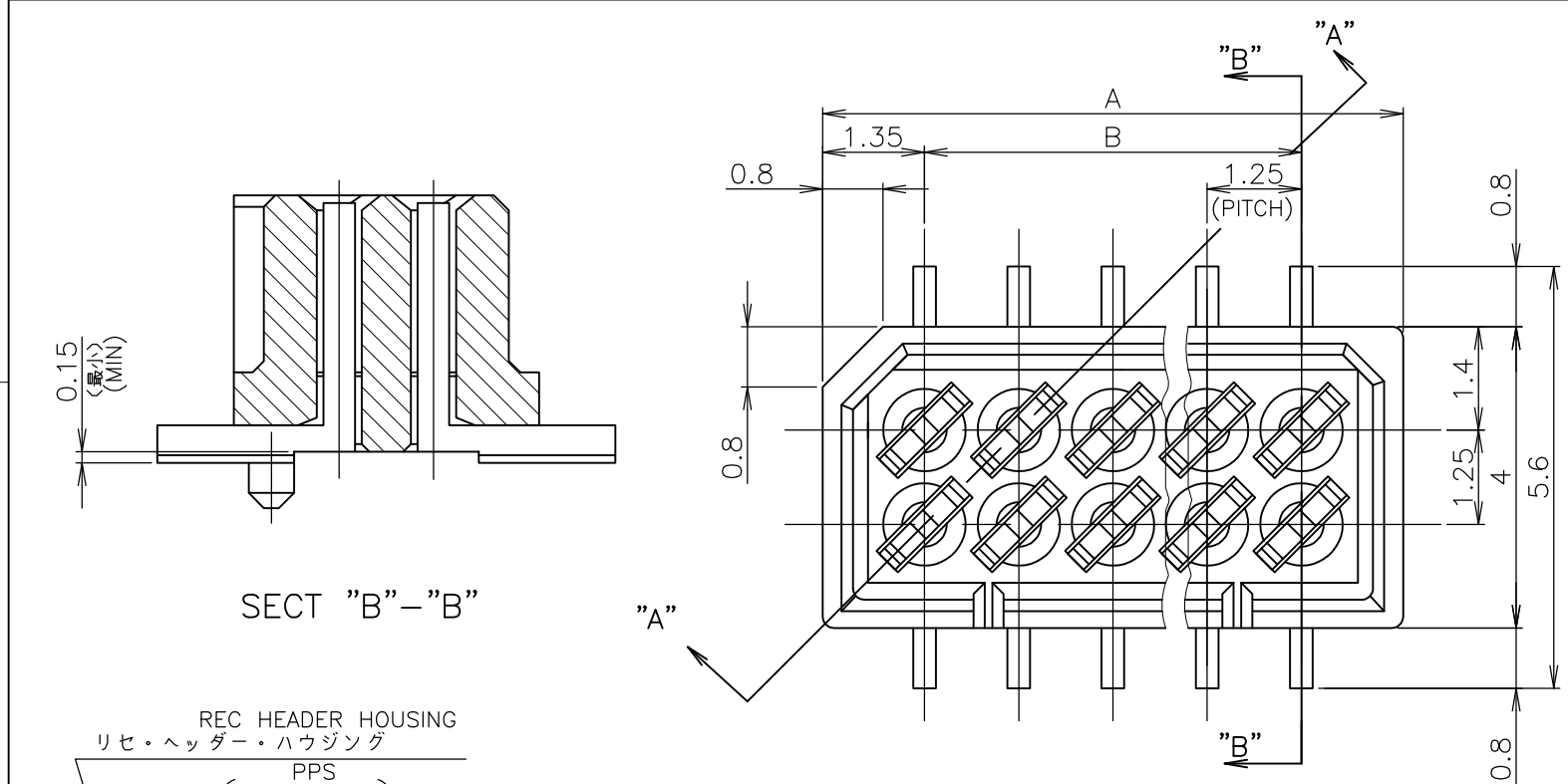


THIS DRAWING IS UNPUBLISHED. RELEASED FOR PUBLICATION ? ? ?  
 © COPYRIGHT ? By - ALL RIGHTS RESERVED.

LOC	DIST	REVISIONS					
		P	LTR	DESCRIPTION	DATE	DWN	APVD
J		P1		REVISED PER ECO-11-005030	11MAR11	RK	HMR

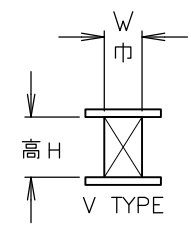


1 嵌合相手製品型番及び、嵌合時寸法は  
 MATING COUNTER PART NUMBER AND DIMENSIONS  
 表-1 参照のこと。  
 AFTER MATING: SEE TABLE 1.

嵌合時寸法: 巾(mm)×高さ(mm)  
 DIMENSIONS AFTER MATING: WIDE(mm) x HEIGHT(mm)

DIP TYPE	MATING COUNTER CONN 嵌合相手側コネクタ POST HDR ASSY		REC HDR ASSY SMT V TYPE WITH BOSS X-174639-X	
	製品型番	P/N	高さ H	
DIP TYPE	X-174643-X		3.95	5.6 (巾W) x 5.0 (高さH)
			5.95	5.6 (巾W) x 7.0 (高さH)
SMT TYPE	ボス無 WITHOUT BOSS X-174645-X ボス付 WITH BOSS X-174821-X		3.95	5.6 (巾W) x 6.5 (高さH)
			5.45	5.6 (巾W) x 6.5 (高さH)
			5.95	5.6 (巾W) x 7.0 (高さH)
	ボス無 WITHOUT BOSS X-178041-X ボス付 WITH BOSS X-176756-X		9.35	7.0 (巾W) x 10.5 (高さH)

TABLE 1 SMT TYPEは、巾及び高さ寸法に  
 SMT TYPE INCLUDE DIMENSIONS  
 半田付タイン部寸法を含みます。  
 OF SOLDER DIP TIME.



'A'	12.95	11.25	13.95	20	5-	-0
	11.70	10.00	12.70	18	4-	-8
	10.45	8.75	11.45	16	4-	-6
	9.20	7.50	10.20	14	4-	-4
	7.95	6.25	8.95	12	4-	-2
	6.70	5.00	7.70	10	4-	-0
'B'	4.20	2.50	5.20	6	3-174639-6	
ボス形状 BOSS FORM	C	B	A	極数 Pos.	型番 P/N	

THIS DRAWING IS A CONTROLLED DOCUMENT.

DWN S.KANEKI 03JUL89	 TE Connectivity	NAME 1.25 F-P コネクタ (基板対基板接続用) 名称 2列仕様 リセ ヘッダー アッセンブリ (V) サーフエスマウント タイプ 基板位置決め用ボス付 1.25 F-P CONNECTOR (B-TO-B) DOUBLE ROW REC HDR ASSY (V) SMT TYPE WITH BOSS	RESTRICTED TO
CHK J.TANIGAWA 03JUL89			
APVD S.KIKUCHI 03JUL89			
PRODUCT SPEC 製品規格			
APPLICATION SPEC 取付適用規格	SIZE A3	CAGE CODE 00779	DRAWING NO. C-174639
MATERIAL AS SHOWN 図中参照	WEIGHT	SCALE 10:1 SHEET 1 OF 1 REV P1	
FINISH AS SHOWN 図中参照	CUSTOMER DRAWING		