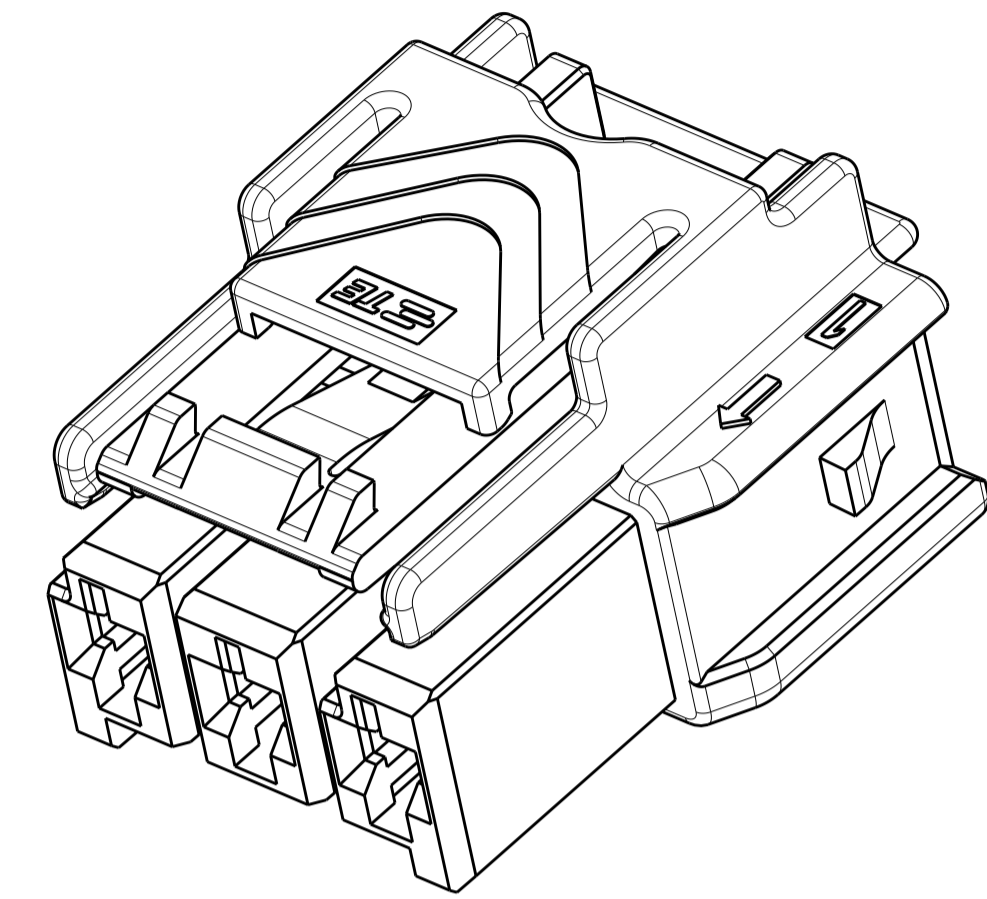
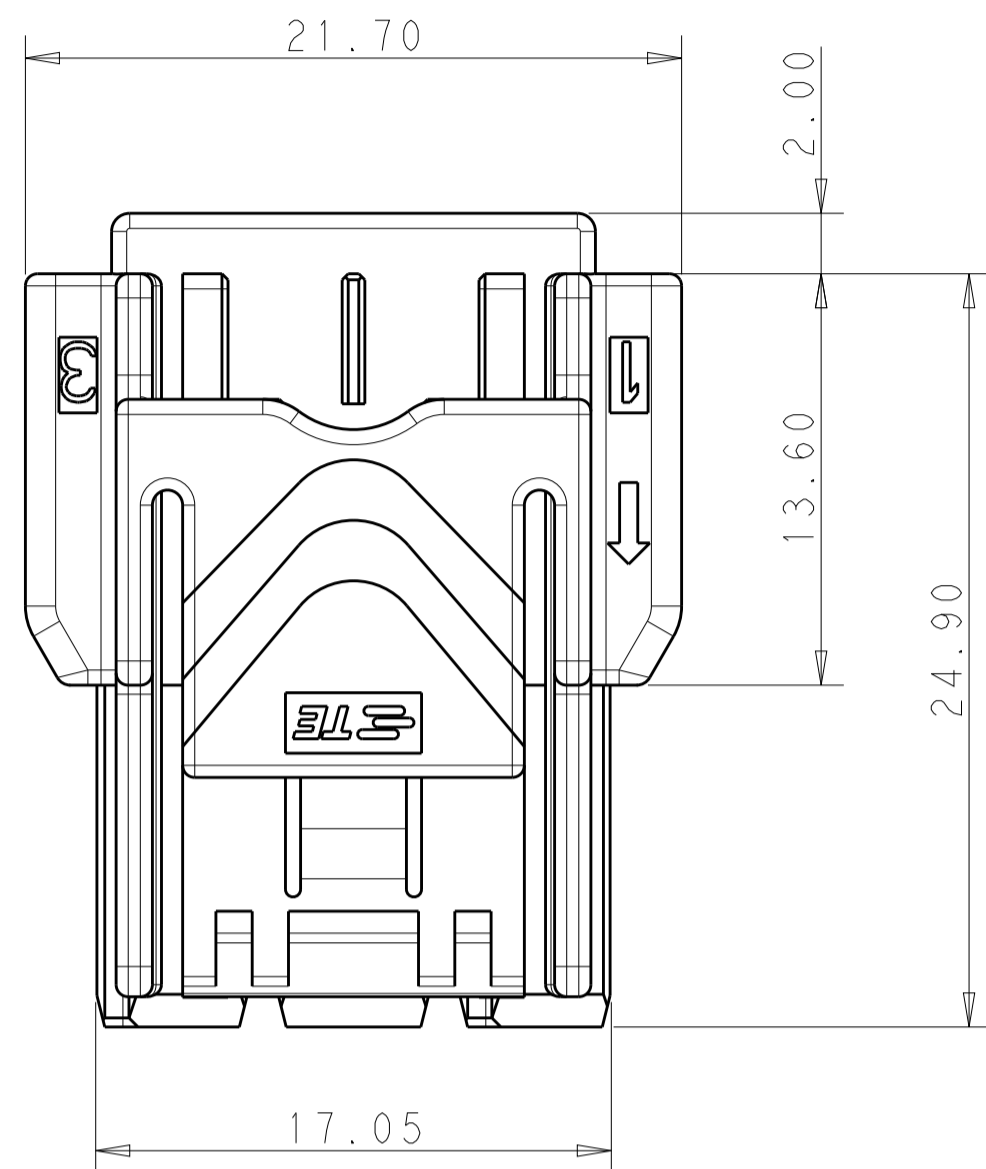
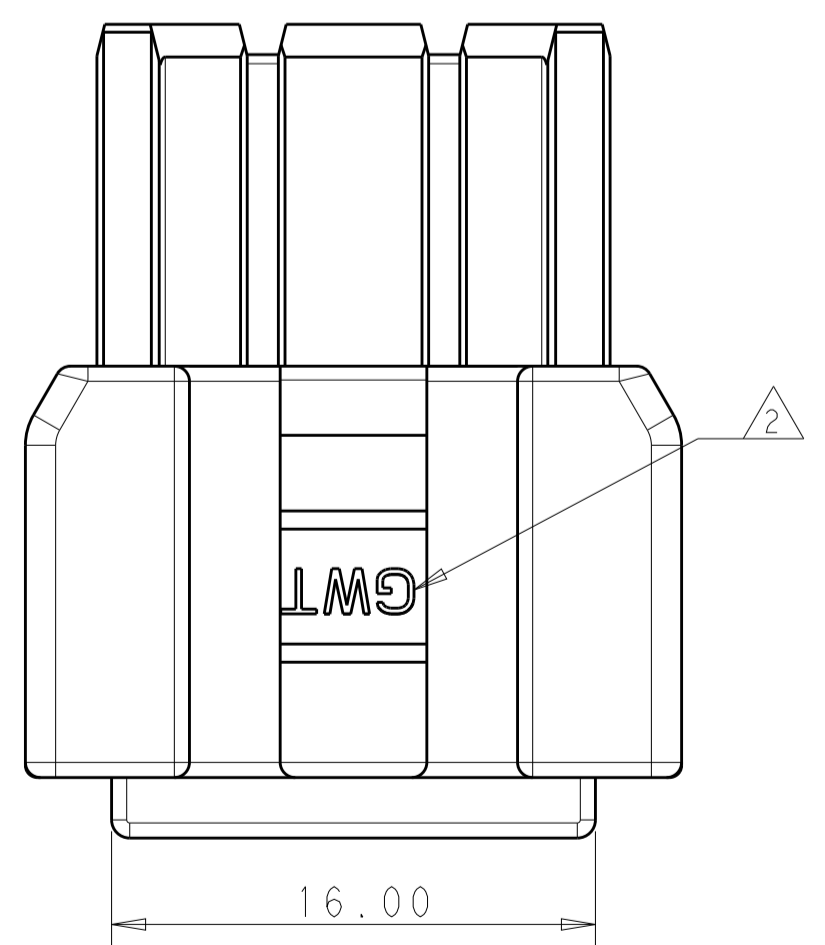
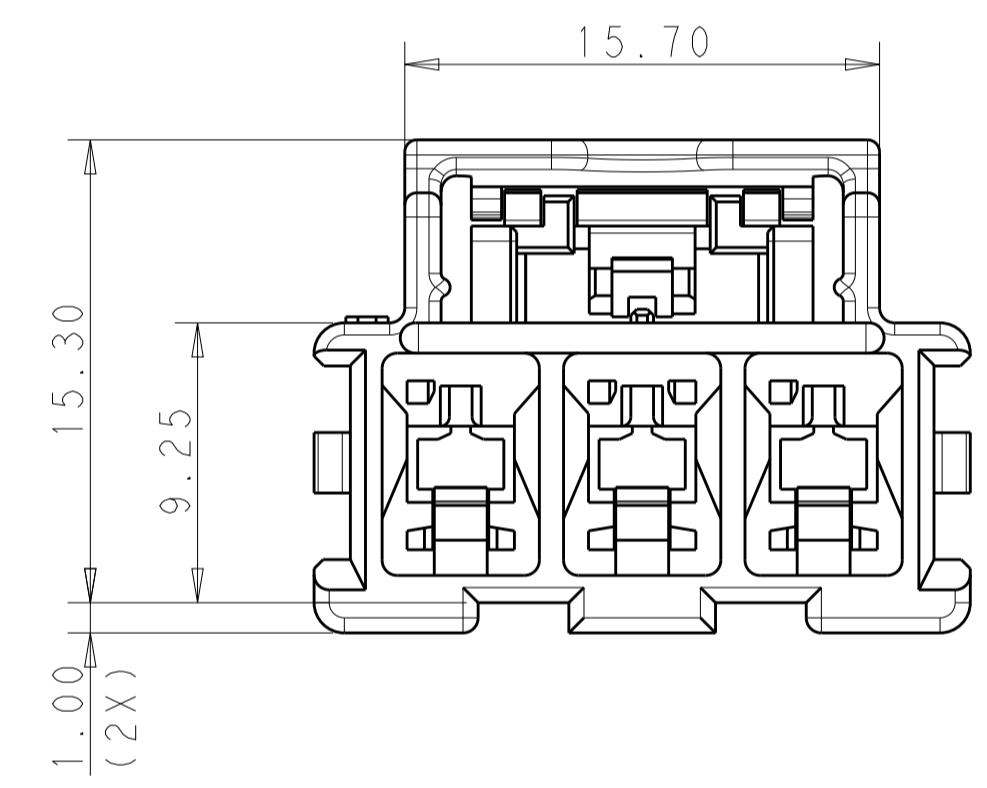
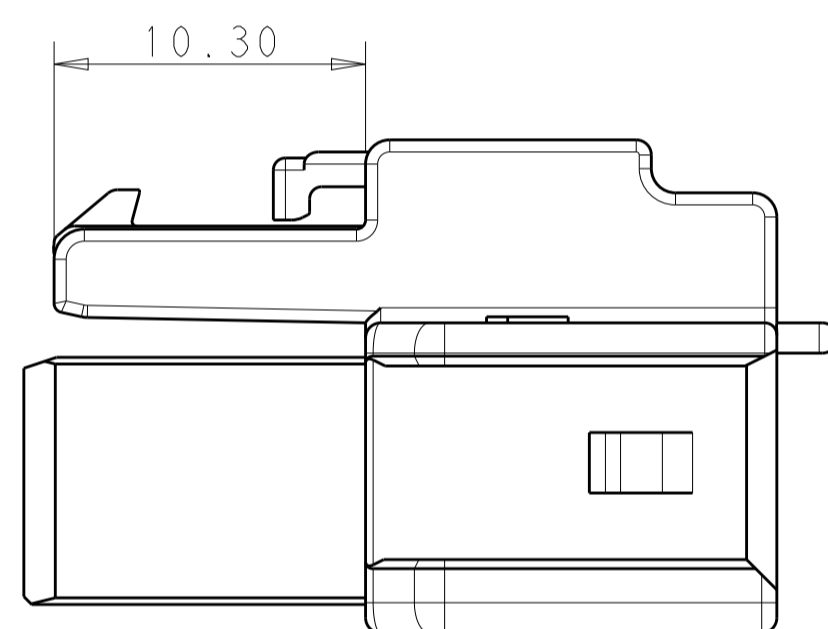
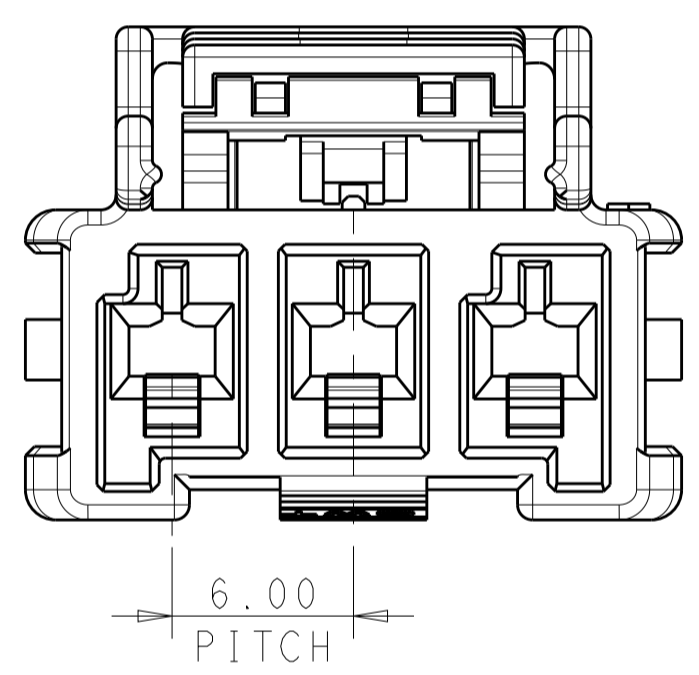


REVISIONS				
P.	LTN.	DESCRIPTION	DATE	DMN. APVD.
	B1	REVISED PER ECO-16-012046	16AUG16	RS GJ



- 1 MATERIAL: NYLON GLASS FILLED, NATURAL, UL94 V-0
- 2 MATERIAL MARK:GWT
- 3 COMPLIES WITH GLOW WIRE REQUIREMENT FOR PARTS OF NON-METALLIC MATERIAL SUPPORTING A CURRENT CARRYING CONNECTION DETAILED IN IEC 60335-1, SECTION 30 (GWT 750°C NF)
- 4 APPLICABLE CONTACT P/N
REC CONTACT: 2232723-* and 2238093-*
- 5 MATING CONN, P/N
CAP HSG:5-2232353-3
TPA (LOCKING PLATE):1971777-3



1*3	GWT	NATURAL	5-2232362-3
POS.	MATERIAL	COLOR	P/N

THIS DRAWING IS A CONTROLLED DOCUMENT.		DMN. 23JUL2013	STE TE Connectivity
DIMENSIONS: mm		CHK. HAI YE WU 23JUL2013	
TOLERANCES UNLESS OTHERWISE SPECIFIED:		APVD. YUHONG MAO 23JUL2013	
0 PLC ± 1 PLC ±0.35 2 PLC ±0.25 3 PLC ± 4 PLC ± ANGLES ± FINISH ±		NAME PLUG HOUSING 3 POSITION PTL MFBL (MAKE FIRST BREAK LAST) PRODUCT SPEC 108-106147 APPLICATION SPEC 114-106147 SIZE CAGE CODE DRAWING NO. 100779 WEIGHT - Customer Drawing	
MATERIAL		RESTRICTED TO	SCALE 4:1 SHEET 1 OF 1 REV B1