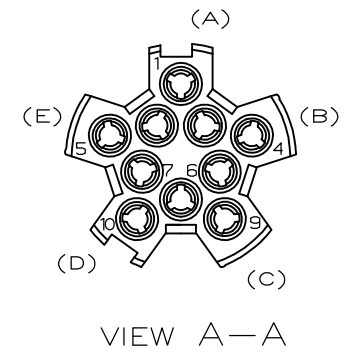
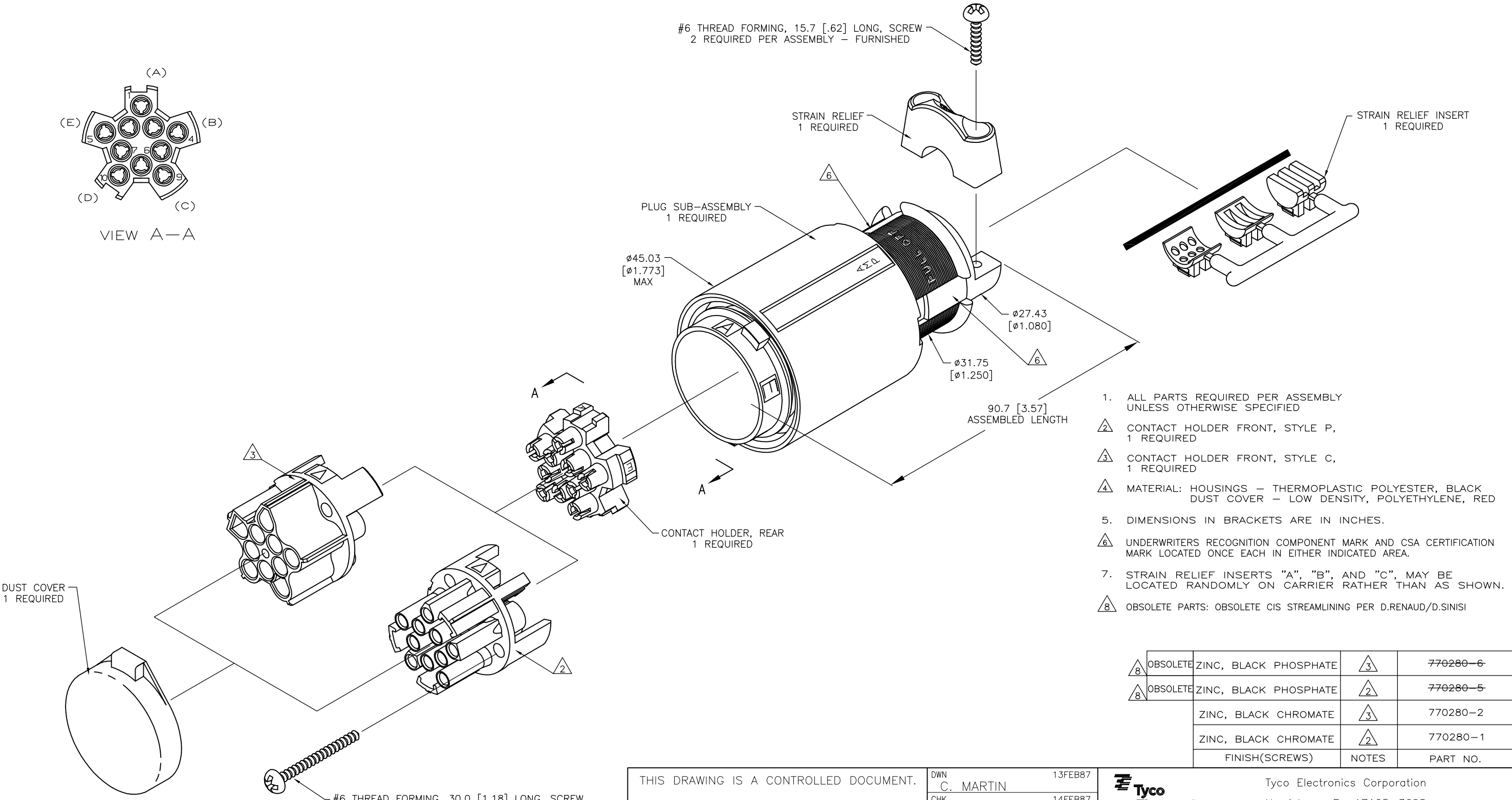


THIS DRAWING IS UNPUBLISHED. RELEASED FOR PUBLICATION  
 © COPYRIGHT - BY TYCO ELECTRONICS CORPORATION. ALL RIGHTS RESERVED.

LOC	DIST	REVISIONS			
P	LTR	DESCRIPTION	DATE	DWN	APVD
CM	0				
	J	ECO-06-007828	03MAY06	BSV	GSR
	J1	REVISED PER ECO-09-022908	08OCT09	KK	AEG



#6 THREAD FORMING, 15.7 [.62] LONG, SCREW  
 2 REQUIRED PER ASSEMBLY - FURNISHED



- ALL PARTS REQUIRED PER ASSEMBLY UNLESS OTHERWISE SPECIFIED
- CONTACT HOLDER FRONT, STYLE P, 1 REQUIRED
- CONTACT HOLDER FRONT, STYLE C, 1 REQUIRED
- MATERIAL: HOUSINGS - THERMOPLASTIC POLYESTER, BLACK  
 DUST COVER - LOW DENSITY, POLYETHYLENE, RED
- DIMENSIONS IN BRACKETS ARE IN INCHES.
- UNDERWRITERS RECOGNITION COMPONENT MARK AND CSA CERTIFICATION MARK LOCATED ONCE EACH IN EITHER INDICATED AREA.
- STRAIN RELIEF INSERTS "A", "B", AND "C", MAY BE LOCATED RANDOMLY ON CARRIER RATHER THAN AS SHOWN.
- OBsolete PARTS: OBsolete CIS STREAMLINING PER D.RENAUD/D.SINISI

Ø8	OBsolete	ZINC, BLACK PHOSPHATE	Ø3	770280-6
Ø8	OBsolete	ZINC, BLACK PHOSPHATE	Ø2	770280-5
		ZINC, BLACK CHROMATE	Ø3	770280-2
		ZINC, BLACK CHROMATE	Ø2	770280-1
		FINISH(SCREWS)	NOTES	PART NO.

THIS DRAWING IS A CONTROLLED DOCUMENT.		DWN C. MARTIN 13FEB87	Tyco Electronics Corporation Harrisburg, Pa 17105-3608	
DIMENSIONS: mm [INCHES]		CHK R. SWING 14FEB87	Tyco Electronics	
TOLERANCES UNLESS OTHERWISE SPECIFIED:		APVD -	NAME PLUG ASSEMBLY, 10 CIRCUIT, MULTI-PIN CIRCULAR POWER CONNECTOR	
0 PLC ± -		PRODUCT SPEC -	SIZE A3	CAGE CODE 00779
1 PLC ± -		APPLICATION SPEC -	DRAWING NO C-770280	RESTRICTED TO -
2 PLC ± 0.3 [.01]		WEIGHT -	SCALE 1:1 SHEET 1 OF 1 REV J1	
3 PLC ± 0.13 [.005]		CUSTOMER DRAWING		
4 PLC ± -				
ANGLES ± -				
FINISH				
MATERIAL				

