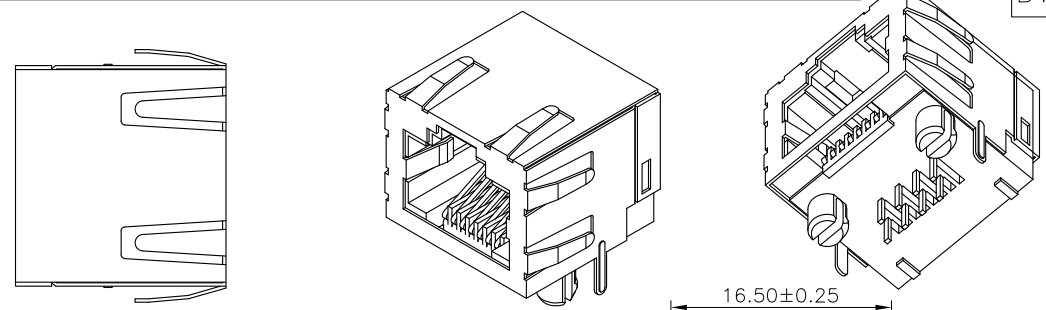


THIS DRAWING IS UNPUBLISHED. RELEASED FOR PUBLICATION
 © COPYRIGHT 2011 BY TYCO ELECTRONICS CORPORATION. ALL RIGHTS RESERVED.

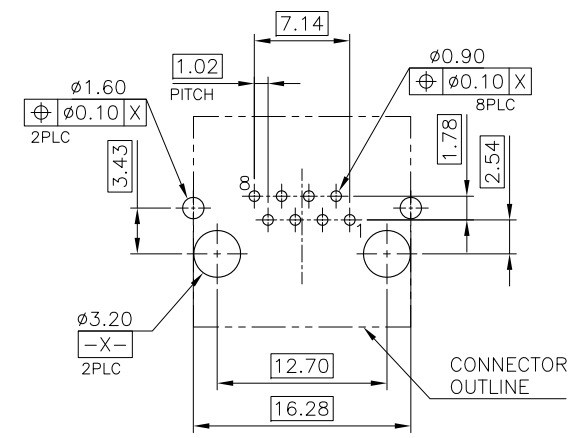
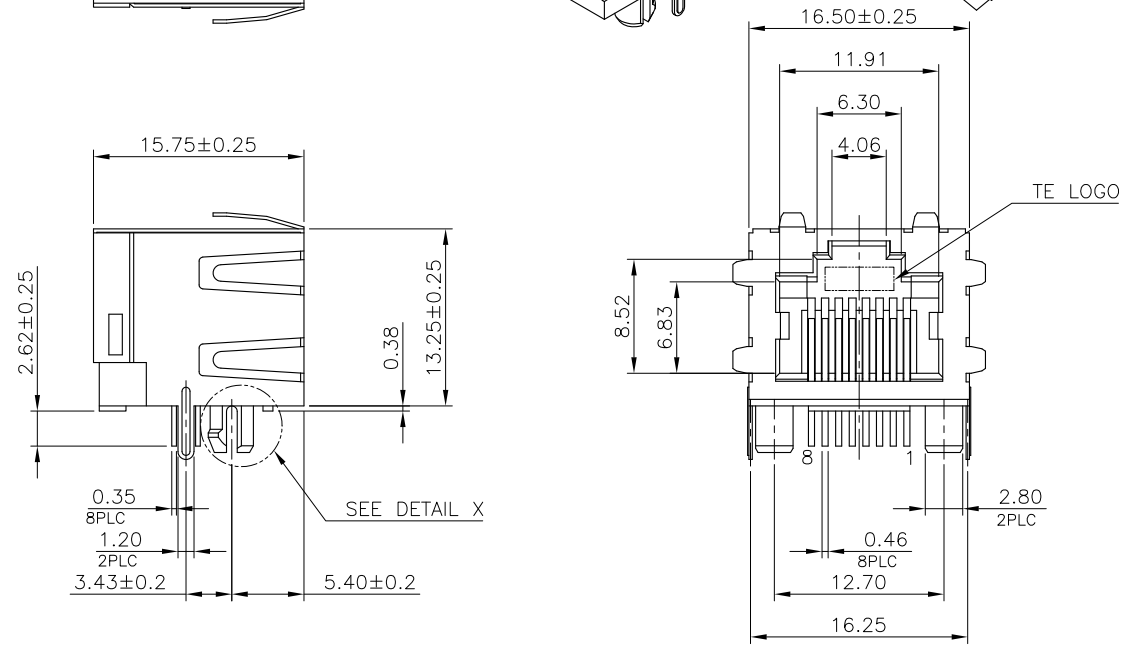
LOC		DIST		REVISIONS				
P	LTR	DESCRIPTION		DATE	DWN	APVD		
A2		ECR-12-012115		260CT'12	EL	WK		

D



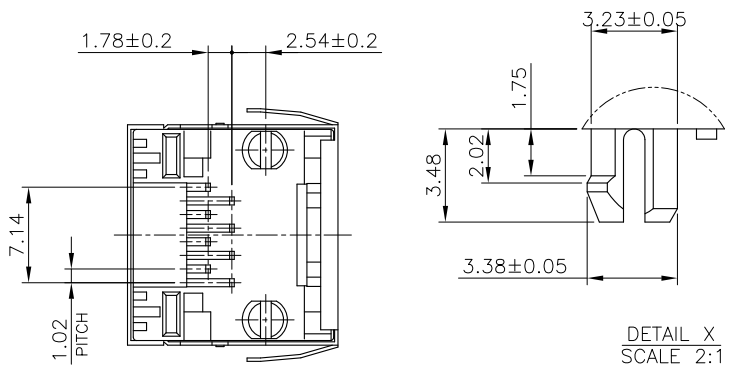
- NOTE:
- MATERIAL:
 - HOUSING: PA46, WITH 30% GF, UL94 V-0, BLACK COLOR.
 - CONTACTS: PHOSPHOR BRONZE.
 - SHELL: BRASS.
 - FINISH:
 - CONTACTS: (SEE TABLE) GOLD PLATED ON CONTACT AREA, GOLD FLASH ON SOLDER TAIL, 1.27um [50u"] MIN. NICKEL UNDERPLATED OVERALL.
 - SHELL: 0.508um [20u"] MIN. NICKEL PLATED.
 - WAVE SOLDER CAPABLE TO 265°C PER TEC-109-202, CONDITION B.
- ⚠️ OBSOLETE PARTS: OBSOLETE CIS STREAMLINING PER D.RENAUD/D.SINISI

C



RECOMMENDED PCB LAYOUT
 RECOMMENDED PCB THICKNESS: 1.6mm
 TOLERANCE: ±0.05 (TOP VIEW)

B



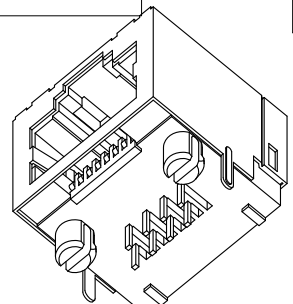
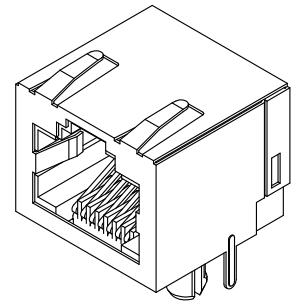
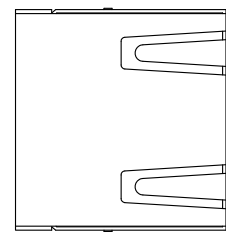
OBSOLETE ⚠️	1.27um[50u"]	1775134-4
	0.76um[30u"]	1775134-3
	0.38um[15u"]	1775134-2
	0.15um[6u"]	1775134-1
	MIN. GOLD THICKNESS	PART NUMBER

THIS DRAWING IS A CONTROLLED DOCUMENT.		DWN O. HU 220CT2007	TE Connectivity			
DIMENSIONS: mm		CHK S. HOU 220CT2007				
TOLERANCES UNLESS OTHERWISE SPECIFIED:		APVD W.J. KE 220CT2007	NAME			
0 PLC ± - 1 PLC ± 0.3 2 PLC ± 0.2 3 PLC ± 0.15 4 PLC ± - ANGLES ± 3°		PRODUCT SPEC 108-57535	MODULAR JACK, RJ455, SINGLE			
MATERIAL SEE NOTE		APPLICATION SPEC	SIZE	CAGE CODE	DRAWING NO	RESTRICTED TO
FINISH SEE NOTE		WEIGHT 5.0 GRAMS	A3	00779	C=1775134	-
CUSTOMER DRAWING			SCALE	SHEET	1 of 4	REV A2

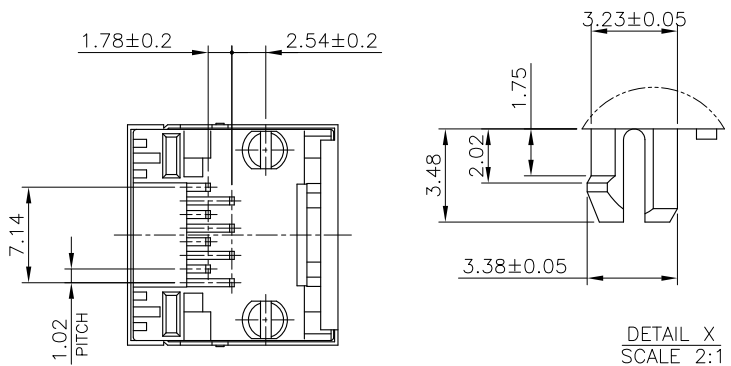
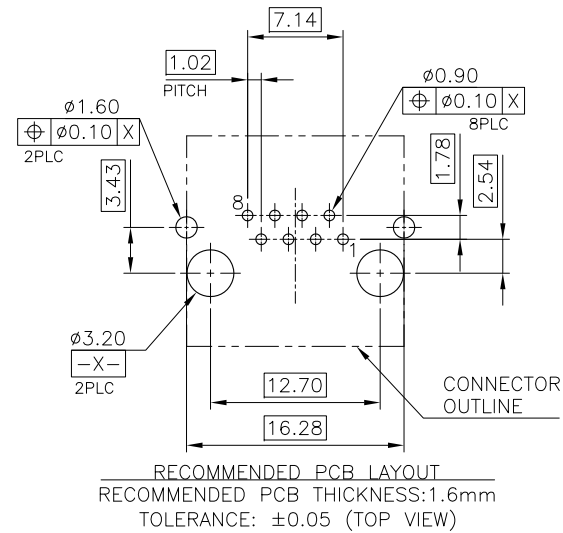
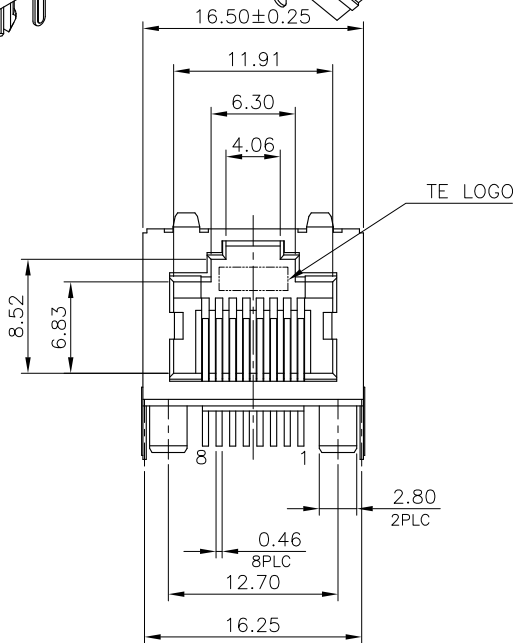
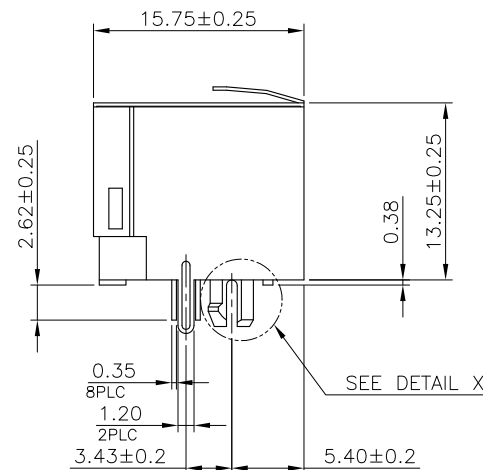
A

THIS DRAWING IS UNPUBLISHED. RELEASED FOR PUBLICATION
 © COPYRIGHT 2011 BY TYCO ELECTRONICS CORPORATION. ALL RIGHTS RESERVED.

LOC DW	DIST	REVISIONS					
		P	LTR	DESCRIPTION	DATE	DWN	APVD
				SEE SHEET 1.			



- NOTE:
- MATERIAL:
 - HOUSING: PA46, WITH 30% GF, UL94V-0, BLACK COLOR.
 - CONTACTS: PHOSPHOR BRONZE.
 - SHELL: BRASS.
 - FINISH:
 - CONTACTS: (SEE TABLE) GOLD PLATED ON CONTACT AREA, GOLD FLASH ON SOLDER TAIL, 1.27um [50u"] MIN. NICKEL UNDERPLATED OVERALL.
 - SHELL: 0.508um [20u"] MIN. NICKEL PLATED.
 - WAVE SOLDER CAPABLE TO 265°C PER TE SPEC 109-202, CONDITION B.



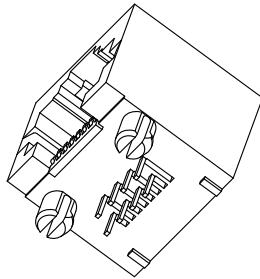
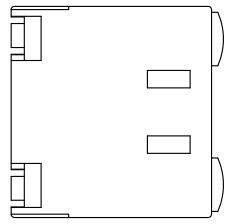
OBSOLETE A	1.27um[50u"]	1-1775134-4
	0.76um[30u"]	1-1775134-3
	0.38um[15u"]	1-1775134-2
	0.15um[6u"]	1-1775134-1
	MIN. GOLD THICKNESS	PART NUMBER

THIS DRAWING IS A CONTROLLED DOCUMENT.		DWN	TE Connectivity		
DIMENSIONS: mm		CHK	NAME		
TOLERANCES UNLESS OTHERWISE SPECIFIED:		APVD	MODULAR JACK, RJ455, SINGLE		
0 PLC ± -		PRODUCT SPEC	SIZE	CAGE CODE	DRAWING NO
1 PLC ± 0.3		APPLICATION SPEC	A3	00779	C=1775134
2 PLC ± 0.2		WEIGHT	RESTRICTED TO		
3 PLC ± 0.15		CUSTOMER DRAWING	SCALE	SHEET	REV
4 PLC ± -				2 of 4	A2
ANGLES ± 3'					
MATERIAL	FINISH				

THIS DRAWING IS UNPUBLISHED. RELEASED FOR PUBLICATION
 © COPYRIGHT 2011 BY TYCO ELECTRONICS CORPORATION. ALL RIGHTS RESERVED.

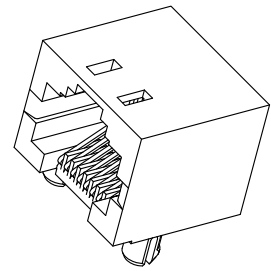
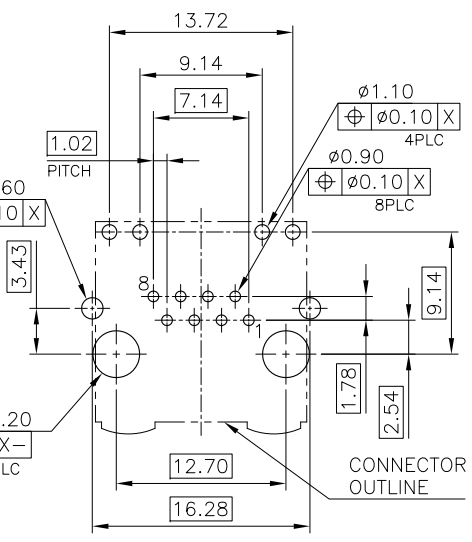
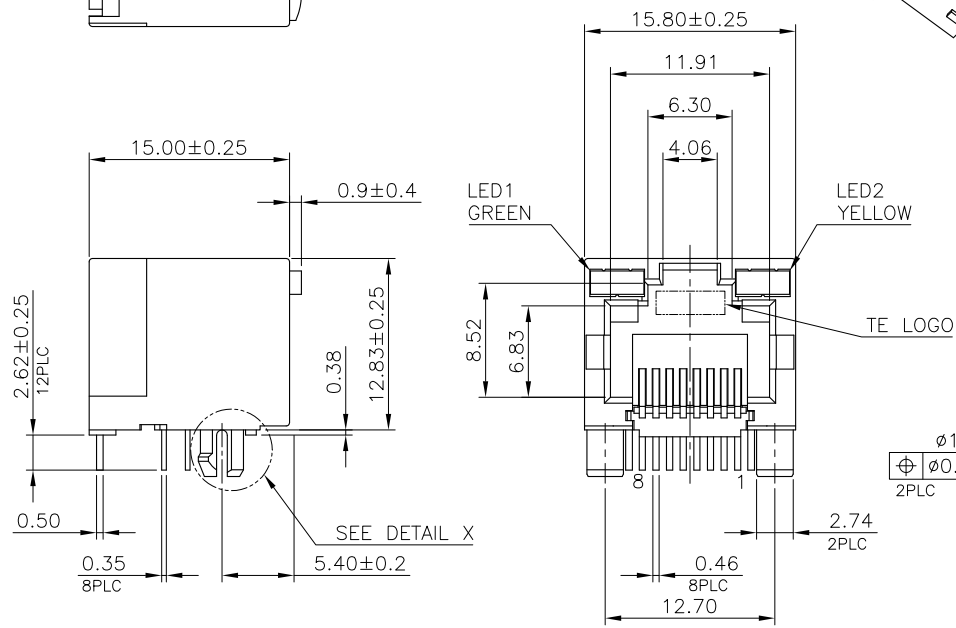
LOC		DIST		REVISIONS					
DW				P	LTR	DESCRIPTION	DATE	DWN	APVD
SEE SHEET 1.									

D

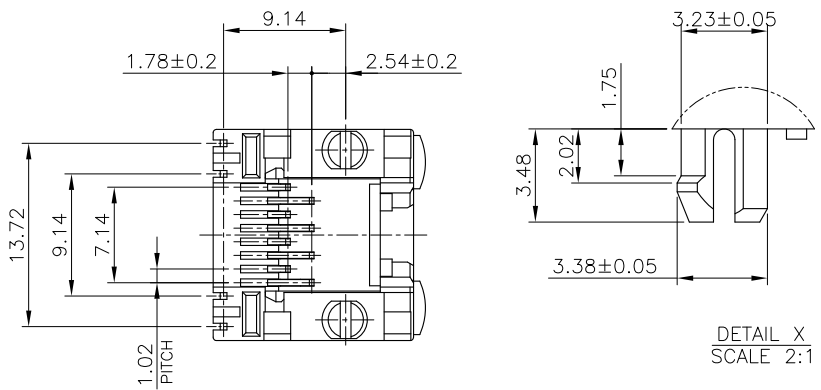


- NOTE:
- MATERIAL:
 - 1.1 HOUSING: PA46, WITH 30% GF, UL94V-0, BLACK COLOR.
 - 1.2 CONTACTS: PHOSPHOR BRONZE.
 - 1.3 LED SOLDER TAIL: EPOXY, STEEL.
 - FINISH:
 - 2.1 CONTACTS: (SEE TABLE) GOLD PLATED ON CONTACT AREA, GOLD FLASH ON SOLDER TAIL, 1.27um [50u"] MIN. NICKEL UNDERPLATED OVERALL.
 - 2.2 LED: 1.016um [40u"] COPPER UNDERPLATED OVERALL. 1.27um [50u"] NICKEL OVERALL. 1.27um [50u"] SILVER ON BONDING AREA. 2.54um [100u"] BRIGHT-TIN ON SOLDER AREA.
 - WAVE SOLDER CAPABLE TO 265°C PER TE SPEC 109-202, CONDITION B.

C



B



RECOMMENDED PCB LAYOUT
 RECOMMENDED PCB THICKNESS: 1.6mm
 TOLERANCE: ±0.05 (TOP VIEW)

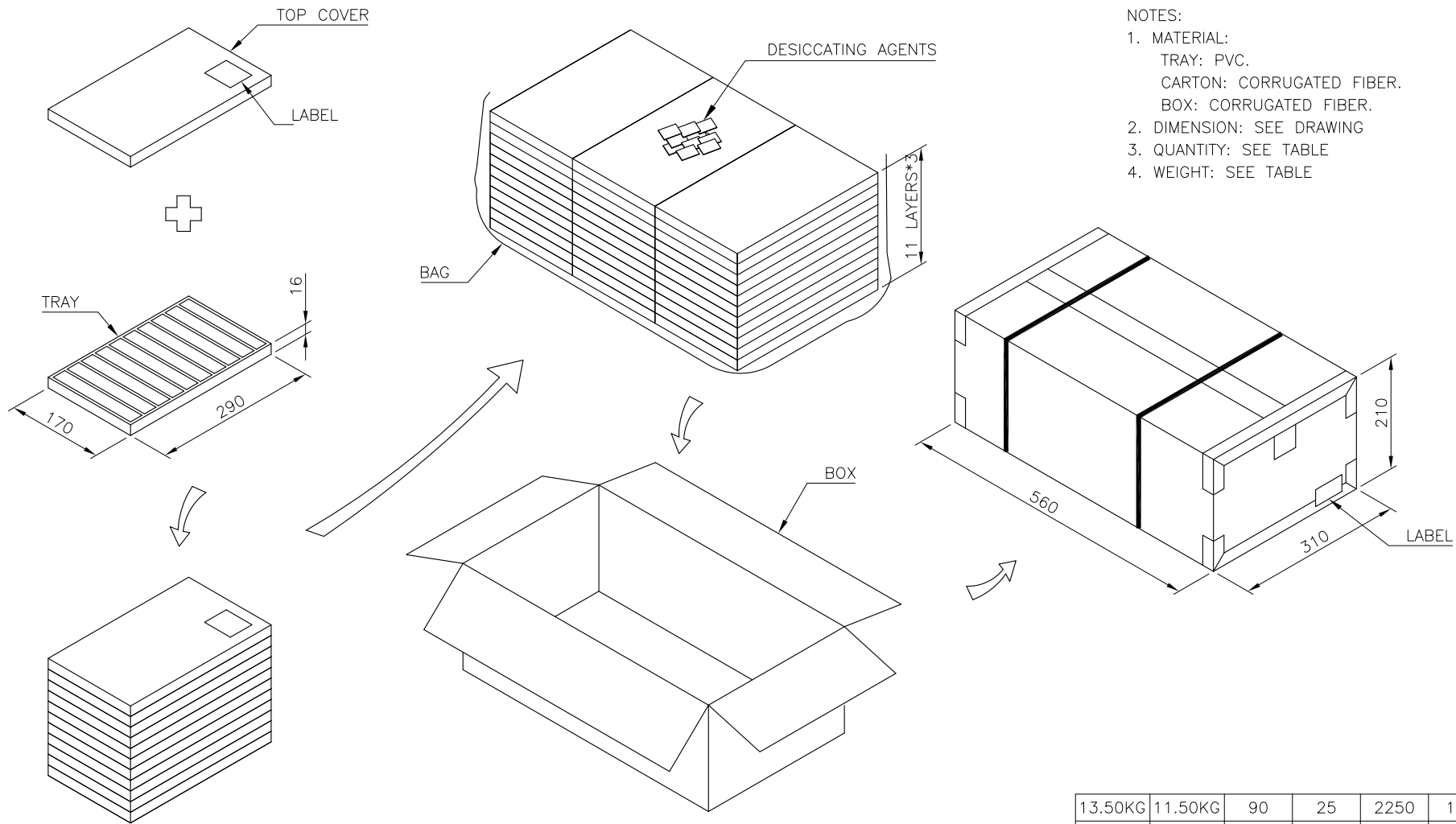
OBSOLETE A	1.27um[50u"]	2-1775134-4
	0.76um[30u"]	2-1775134-3
	0.38um[15u"]	2-1775134-2
	0.15um[6u"]	2-1775134-1
	MIN. GOLD THICKNESS	PART NUMBER

A

THIS DRAWING IS A CONTROLLED DOCUMENT.		DWN	TE Connectivity		
DIMENSIONS: mm		CHK	NAME		
TOLERANCES UNLESS OTHERWISE SPECIFIED:		APVD	MODULAR JACK, RJ455, SINGLE		
0 PLC ± -		PRODUCT SPEC	SIZE	CAGE CODE	DRAWING NO
1 PLC ± 0.3		APPLICATION SPEC	A3	00779	C=1775134
2 PLC ± 0.2		WEIGHT	RESTRICTED TO		
3 PLC ± 0.15		CUSTOMER DRAWING	SCALE		
4 PLC ± -			SHEET 3 of 4		
ANGLES ± 3'			REV A2		
MATERIAL	FINISH				

THIS DRAWING IS UNPUBLISHED. RELEASED FOR PUBLICATION
 © COPYRIGHT 2011 BY TYCO ELECTRONICS CORPORATION. ALL RIGHTS RESERVED.

LOC	DIST	REVISIONS					
DW		P	LTR	DESCRIPTION	DATE	DWN	APVD
				SEE SHEET 1.			



- NOTES:
- MATERIAL:
 TRAY: PVC.
 CARTON: CORRUGATED FIBER.
 BOX: CORRUGATED FIBER.
 - DIMENSION: SEE DRAWING
 - QUANTITY: SEE TABLE
 - WEIGHT: SEE TABLE

13.50KG	11.50KG	90	25	2250	1775134-X
GROSS WEIGHT	NET WEIGHT	PCS/ TRAY	TRAY/ BOX	PCS/ BOX	PART NUMBER

THIS DRAWING IS A CONTROLLED DOCUMENT.		DWN	TE Connectivity					
DIMENSIONS: mm		CHK				NAME		
TOLERANCES UNLESS OTHERWISE SPECIFIED:		APVD						
0 PLC ± - 1 PLC ± 0.3 2 PLC ± 0.2 3 PLC ± 0.15 4 PLC ANGLES ± - ± 3°		PRODUCT SPEC						
MATERIAL		APPLICATION SPEC	MODULAR JACK, RJ455, SINGLE					
FINISH		WEIGHT	SIZE	CAGE CODE	DRAWING NO	RESTRICTED TO		
		CUSTOMER DRAWING	A3	00779	C=1775134	-		
			SCALE	SHEET	4 of 4	REV A2		